

INSTALLATION INSTRUCTIONS

24" (60 CM) ELECTRIC BUILT-IN OVEN

Table of Contents

BUILT-IN OVEN SAFETY	1
INSTALLATION REQUIREMENTS	2
Tools and Parts.....	2
Location Requirements	2
Electrical Requirements	4
INSTALLATION INSTRUCTIONS	4
Prepare Built-In Oven.....	4
Remove Oven Door.....	4
Make Electrical Connection	5
Install Oven.....	5
Complete Installation	6

BUILT-IN OVEN SAFETY

Your safety and the safety of others are very important.

We have provided many important safety messages in this manual and on your appliance. Always read and obey all safety messages.



This is the safety alert symbol.

This symbol alerts you to potential hazards that can kill or hurt you and others.

All safety messages will follow the safety alert symbol and either the word "DANGER" or "WARNING."

These words mean:

⚠ DANGER

You can be killed or seriously injured if you don't immediately follow instructions.

⚠ WARNING

You can be killed or seriously injured if you don't follow instructions.

All safety messages will tell you what the potential hazard is, tell you how to reduce the chance of injury, and tell you what can happen if the instructions are not followed.

IMPORTANT:

Save for local electrical inspector's use.

INSTALLATION REQUIREMENTS

Tools and Parts

Gather the required tools and parts before starting installation. Read and follow the instructions provided with any tools listed here.

Tools needed

- Phillips screwdriver
- Flat-blade screwdriver
- Measuring tape
- Drill (for wall cabinet installations)
- 1" (2.5 cm) drill bit (for wall cabinet installations)
- Level

Parts needed

- Wire connectors

Parts Supplied

- CSA approved conduit connector
- Two 4 x 25 mm self-tapping screws

Check local codes. Check existing electrical supply. See "Electrical Requirements."

It is recommended that all electrical connections be made by a licensed, qualified electrical installer.

Location Requirements

IMPORTANT: Observe all governing codes and ordinances.

- Cabinet opening dimensions that are shown must be used. Given dimensions provide minimum clearance with oven.
- Recessed installation area must provide complete enclosure around the recessed portion of the oven.
- Grounded electrical supply is required. See "Electrical Requirements" section.
- Electrical supply junction box should be located 3" (7.6 cm) maximum below the support surface when the oven is installed in a wall cabinet. A 1" (2.5 cm) minimum diameter hole should have been drilled in the right rear or left rear corner of the support surface to pass the appliance cable through to the junction box.

NOTE: For undercounter installation, it is recommended that the junction box be located in the adjacent right or left cabinet. If you are installing the junction box on rear wall behind oven, the junction box must be recessed and located in the upper or lower right or left corner of the cabinet to allow the oven to fit into the cabinet opening.

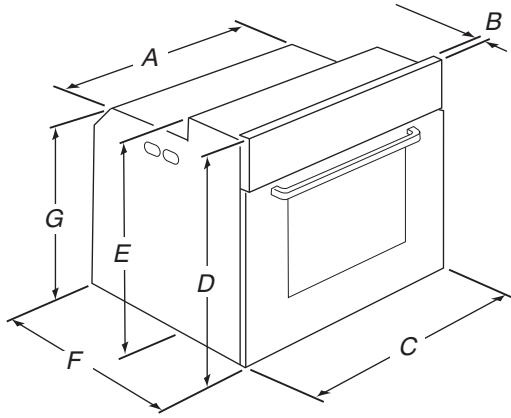
- Oven support surface must be solid, level and flush with bottom of cabinet cutout. Floor must be able to support an oven weight of 140 lbs (63.5 kg).

IMPORTANT: To avoid damage to your cabinets, check with your builder or cabinet supplier to make sure that the materials used will not discolor, delaminate or sustain other damage. This oven has been designed in accordance with the requirements of CSA International and complies with the maximum allowable wood cabinet temperatures of 194°F (90°C).

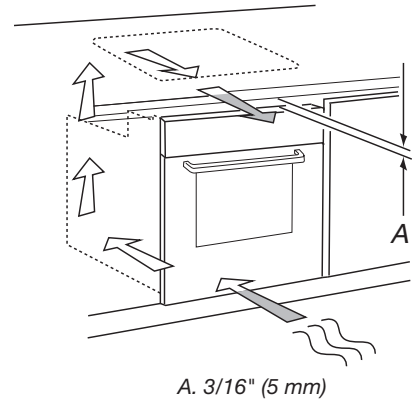
Undercounter Installation (with cooktop installed above):

Ovens approved for this type of installation have an approval label located on the top of the oven. Refer to undercounter installation instructions for cutout dimensions and approved oven cooktop combinations (separate sheet).

Product Dimensions

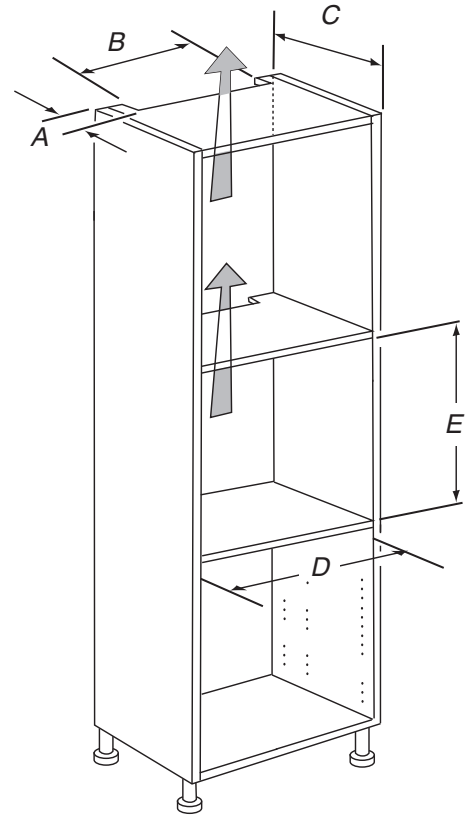


- | | |
|---|---|
| A. 21 ¹ / ₂ " (54.5 cm) | E. 22 ¹ / ₂ " (57.2 cm) |
| B. 3/4" (2 cm) | F. 21 ¹ / ₈ " (53.8 cm) |
| C. 23 ¹ / ₂ " (59.5 cm) | G. 21 ¹ / ₈ " (53.7 cm) |
| D. 23 ¹ / ₂ " (59.5 cm) | |



A. 3/16" (5 mm)

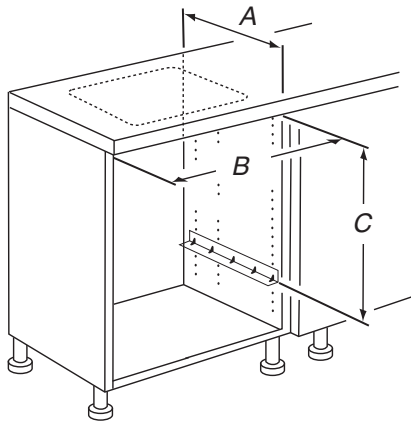
Installed in Cabinet



- | | |
|---|-----------------------------|
| A. 1 ³ / ₁₆ " (3.0 cm) maximum | D. 22" (56 cm) minimum |
| B. 19 ⁵ / ₈ " (50.0 cm) minimum | E. 23 ± 1/16" (58.3 ± 2 mm) |
| C. 21 ⁵ / ₈ " (55.0 cm) minimum | |

Cabinet Dimensions

Undercounter



- | |
|---|
| A. 21 ⁵ / ₈ " (55.0 cm) minimum |
| B. 22" (56.0 cm) minimum |
| C. 23 ⁵ / ₈ " (60 cm) minimum |

NOTE: The cabinet shelves above the oven should be cut in the rear as shown to allow proper cooling. See dimensions A and B. The arrows indicate the air circulation.

Electrical Requirements

If codes permit and a separate ground wire is used, it is recommended that a qualified electrical installer determine that the ground path and the wire gauge are in accordance with local codes.

Check with a qualified electrical installer if you are not sure the oven is properly grounded.

This oven must be connected to a grounded metal, permanent wiring system.

Be sure that the electrical connection and wire size are adequate and in conformance with the CSA Standards C22.1-94, Canadian Electrical Code, Part 1 and C22.2 No. O-M91-latest edition, and all local codes and ordinances.

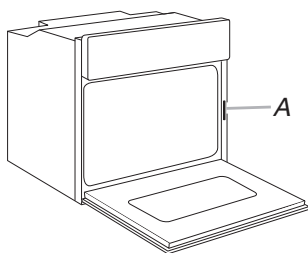
A copy of the above code standards can be obtained from:

Canadian Standards Association
178 Rexdale Blvd.
Toronto, ON M9W 1R3 CANADA

Electrical Connection

To properly install your oven, you must determine the type of electrical connection you will be using and follow the instructions provided for it here.

- Oven must be connected to the proper electrical voltage and frequency as specified on the model/serial number rating plate. The model/serial number rating plate is on the right vertical part of the oven frame. See the following illustration.



A. Model/serial number plate

- Models rated 3.6 kW and below at 120/240 V require a separate 15 A circuit. Models rated 3.6 to 4.8 kW at 120/240 V require a separate 20 A circuit.
- A circuit breaker is recommended.
- Connect directly to the circuit breaker box (or fused disconnect) through flexible, armored or nonmetallic sheathed, copper cable (with grounding wire). See “Make Electrical Connection” section.
- The CSA approved flexible conduit from the oven should be connected directly to the junction box.
- Fuse both sides of the line.
- Do not cut the conduit. The length of conduit provided is for serviceability of the oven.
- If the house has aluminum wiring, follow the procedure below:

Connect the aluminum wiring using special connectors and/or tools designed and UL listed for joining copper to aluminum.

Follow the electrical connector manufacturer’s recommended procedure. Aluminum/copper connection must conform with local codes and industry accepted wiring practices.

INSTALLATION INSTRUCTIONS

Prepare Built-In Oven

1. Decide on the final location for the oven. Avoid drilling or cutting into house wiring during installation.

⚠ WARNING

Excessive Weight Hazard

**Use two or more people to move and install oven.
Failure to do so can result in back or other injury.**

2. To avoid floor damage, set the oven onto cardboard prior to installation. Do not use handle or any portion of the front frame for lifting.
3. Remove the shipping materials and tape from the oven.
4. Remove the hardware package from inside the bag containing literature.
5. Remove and set aside racks and other parts from inside the oven.
6. Move oven and cardboard close to the oven’s final location.

Remove Oven Door

IMPORTANT: Use both hands to remove oven doors.

1. Open oven door all the way.
2. Flip up the hinge latch on each side.



3. Close the oven door as far as it will shut.
4. Lift the oven door while holding both sides. Continue to push the oven door closed and pull it away from the oven door frame.



Make Electrical Connection

⚠️ WARNING



Electrical Shock Hazard

Disconnect power before servicing.

Use 12 gauge copper wire.

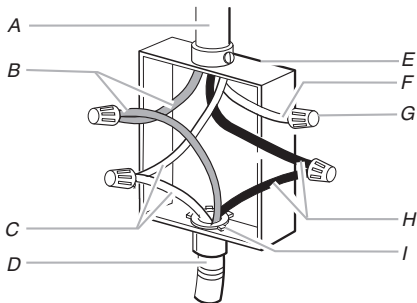
Electrically ground oven.

Failure to follow these instructions can result in death, fire, or electrical shock.

This oven is manufactured with red and black power supply wires and a cabinet connected yellow/green wire. The oven is not supplied with a white neutral wire.

Wire Cable from Home Power Supply

1. Disconnect power.



- | | |
|--|--|
| A. 4-wire cable from home power supply | E. Junction box |
| B. Red wires | F. White wire (from home power supply) |
| C. Green (bare) wire (GND) from home power supply
Yellow/green wire (GND) from oven | G. Wire connectors |
| D. 3-wire CSA approved flexible conduit from oven | H. Black wires |
| | I. CSA approved conduit connector |

2. Connect the 2 black wires (H) together using a CSA approved wire connector.
3. Connect the 2 red wires (B) together using a CSA approved wire connector.
4. Connect the yellow/green wire (C) from the oven to the green (bare) wire from the home power supply using a CSA approved wire connector.
5. Put a CSA approved wire connector on the end of the white wire (F).
NOTE: Do not connect the yellow/green wire to the white wire in the junction box.
6. Install junction box cover.
7. Reconnect power.

Install Oven

1. Remove the oven racks.

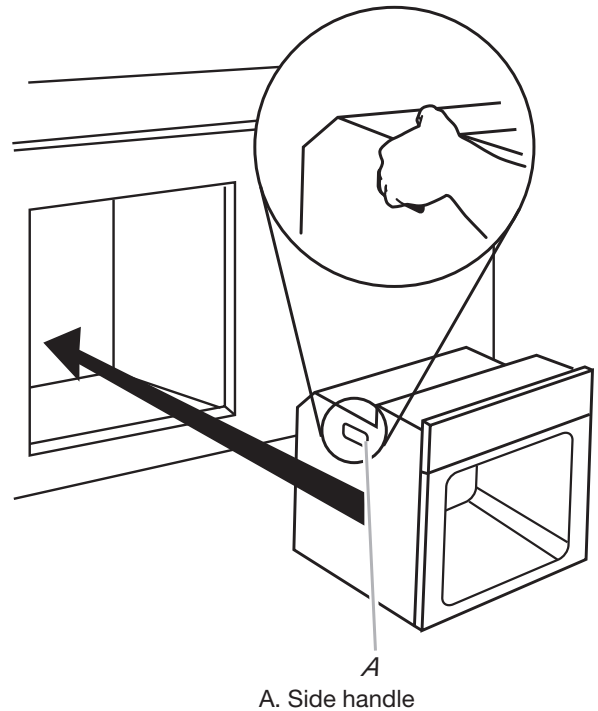
⚠️ WARNING

Excessive Weight Hazard

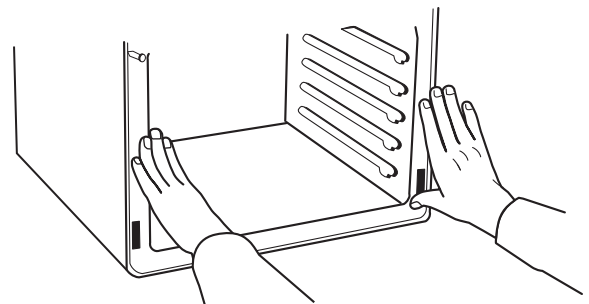
Use two or more people to move and install oven.

Failure to do so can result in back or other injury.

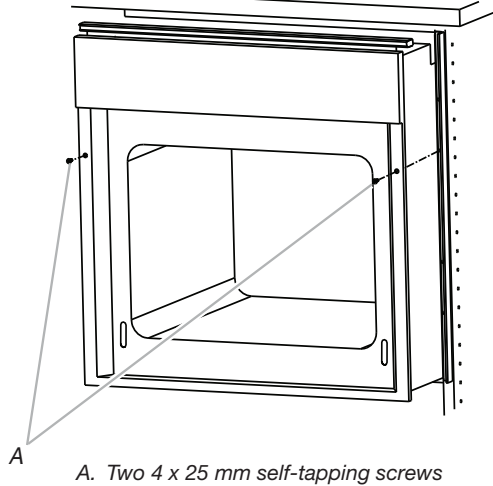
2. Using two or more people, lift the oven by the side handles located on the right and left side of the oven. Gently insert into the cabinet cutout.



3. Push against seal area of front frame to push oven into cabinet.



- Securely fasten oven to cabinet using the two 4 x 25 mm self-tapping screws provided. Insert the screws through holes in mounting rails. Do not overtighten screws.



- Install the oven racks.

- Replace oven door by inserting both hanger arms into the door.



- Open the oven door. You should hear a “click” as the door is set into place.
- Move the hinge levers back to the locked position.
- Check that the door is free to open and close. If it is not, repeat the oven door removal process and installation procedures. See “Remove Oven Door” section.
- Reconnect power.
- On some models, the display panel will light briefly, and “PF” should appear in the display.
- If display panel does not light, please reference the “Assistance or Service” section of the Use and Care Guide or contact the dealer from whom you purchased your oven.

Complete Installation

- Check that all parts are now installed. If there is an extra part, go back through the steps to see which step was skipped.
- Check that you have all of your tools.
- Dispose of/recycle all packaging materials.
- For oven use and cleaning, read the Use and Care Guide.

Check Operation

NOTE: Refer to the “Control Panel” and “Oven Functions” sections of the Use and Care Guide for steps 1 through 5.

- Press the On/Off keypad to turn the power On.
- When the oven is turned on for the first time, you will have to select the desired language and set the correct time.
- Select “Traditional” and then “Conventional.”
- Set the temperature.
- Press START.

If oven(s) does not operate, check the following:

- Household fuse is intact and tight; or circuit breaker has not tripped.
 - Electrical supply is connected.
 - See “Troubleshooting” section in the Use and Care Guide.
- When oven has been on for 5 minutes, feel for heat. **If you do not feel heat, turn off the oven and contact a qualified technician.**
 - To set oven functions, refer to the Use and Care Guide.

If you need Assistance or Service:

Please reference the “Assistance or Service” section of the Use and Care Guide, or contact the dealer from whom you purchased your built-in oven.

NOTES

