

JENN-AIR® 30" AND 36" (76.2 CM AND 91.4 CM) TOUCH-ACTIVATED ELECTRONIC INDUCTION COOKTOP

TABLE DE CUISSON PAR INDUCTION AVEC COMMANDES ÉLECTRONIQUES TACTILES JENN-AIR® DE 30" ET 36" (76,2 CM ET 91,4 CM)

Use & Care Guide

For questions about features, operation/performance, parts, accessories, or service in the U.S.A., call:

1-800-JENNAIR (1-800-536-6247), or visit our website at **www.jennair.com**.

In Canada, call: **1-800-807-6777**, or visit our website at **www.jennair.ca**.

Guide d'utilisation et d'entretien

Au Canada, pour assistance, installation ou service, composez le **1-800-807-6777** ou visitez notre site web à **www.jennair.ca**.

Table of Contents/Table des matières 2

IMPORTANT: READ AND SAVE THESE INSTRUCTIONS.

FOR RESIDENTIAL USE ONLY.

IMPORTANT : LIRE ET CONSERVER CES INSTRUCTIONS.

POUR UTILISATION RÉSIDENIELLE UNIQUEMENT.

JENN-AIR®

501961901382B

TABLE OF CONTENTS

COOKTOP SAFETY	2
COOKTOP USE	4
Induction Cooking.....	5
Cooktop Controls.....	5
Dual Size Surface Cooking Area.....	7
Sensor Boil	7
Low Settings.....	8
Simmer	8
Melt.....	8
Keep Warm.....	8
Bridge	8
Pan Detection.....	9
Control Lock.....	9
Performance Boost Function	9
Timer.....	10
Tones.....	10
Ceramic Glass	10
Cookware	10
COOKTOP CARE	11
General Cleaning.....	11
TROUBLESHOOTING	12
ASSISTANCE OR SERVICE	13
WARRANTY	14

TABLE DES MATIÈRES

SÉCURITÉ DE LA TABLE DE CUISSON	15
UTILISATION DE LA TABLE DE CUISSON	17
Cuisson par induction	18
Commandes de la table de cuisson	18
Surface de cuisson à dimension double.....	20
Ébullition avec capteur	20
Réglages de chaleur réduite	21
Mijotage	21
Faire fondre	21
Maintien au chaud.....	21
Liaison	22
Détection d'un plat.....	22
Verrouillage des commandes.....	22
Fonction d'optimisation du rendement.....	22
Minuterie	23
Signaux sonores.....	23
Vitrocéramique	23
Ustensiles de cuisson	24
ENTRETIEN DE LA TABLE DE CUISSON	24
Nettoyage général	24
DÉPANNAGE	25
ASSISTANCE OU SERVICE	26
GARANTIE	27

COOKTOP SAFETY

Your safety and the safety of others are very important.

We have provided many important safety messages in this manual and on your appliance. Always read and obey all safety messages.



This is the safety alert symbol.

This symbol alerts you to potential hazards that can kill or hurt you and others.

All safety messages will follow the safety alert symbol and either the word "DANGER" or "WARNING."

These words mean:

⚠ DANGER

You can be killed or seriously injured if you don't immediately follow instructions.

⚠ WARNING

You can be killed or seriously injured if you don't follow instructions.

All safety messages will tell you what the potential hazard is, tell you how to reduce the chance of injury, and tell you what can happen if the instructions are not followed.

IMPORTANT SAFETY INSTRUCTIONS

WARNING: To reduce the risk of fire, electrical shock, injury to persons, or damage when using the cooktop, follow basic precautions, including the following:

- **CAUTION:** Do not store items of interest to children in cabinets above a cooktop – Children climbing on the cooktop to reach items could be seriously injured.
- Proper Installation – Be sure your cooktop is properly installed and grounded by a qualified technician.
- Never Use Your Cooktop for Warming or Heating the Room.
- Do Not Leave Children Alone – Children should not be left alone or unattended in area where cooktop is in use. They should never be allowed to sit or stand on any part of the cooktop.
- Wear Proper Apparel – Loose-fitting or hanging garments should never be worn while using the cooktop.
- User Servicing – Do not repair or replace any part of the cooktop unless specifically recommended in the manual. All other servicing should be referred to a qualified technician.
- Storage on Cooktop – Flammable materials should not be stored near surface units.
- Do Not Use Water on Grease Fires – Smother fire or flame or use dry chemical or foam-type extinguisher.
- Use Only Dry Potholders – Moist or damp potholders on hot surfaces may result in burns from steam. Do not let potholder touch hot heating elements. Do not use a towel or other bulky cloth.
- DO NOT TOUCH SURFACE UNITS OR AREAS NEAR UNITS – Surface units may be hot even though they are dark in color. Areas near surface units may become hot enough to cause burns. During and after use, do not touch, or let clothing or other flammable materials contact surface units or areas near units until they have had sufficient time to cool. Among those areas are the cooktop and surfaces facing the cooktop.
- Use Proper Pan Size – This cooktop is equipped with one or more surface units of different size. Select utensils having flat bottoms large enough to cover the surface unit heating element. The use of undersized utensils will expose a portion of the heating element to direct contact and may result in ignition of clothing. Proper relationship of utensil to burner will also improve efficiency.

- Never Leave Surface Units Unattended at High Heat Settings – Boilover causes smoking and greasy spillovers that may ignite.
- Glazed Cooking Utensils – Only certain types of glass, glass/ceramic, ceramic, earthenware, or other glazed utensils are suitable for cooktop service without breaking due to the sudden change in temperature.
- Utensil Handles Should Be Turned Inward and Not Extend Over Adjacent Surface Units – To reduce the risk of burns, ignition of flammable materials, and spillage due to unintentional contact with the utensil, the handle of a utensil should be positioned so that it is turned inward, and does not extend over adjacent surface units.
- Do Not Cook on Broken Cooktop – If cooktop should break, cleaning solutions and spillovers may penetrate the broken cooktop and create a risk of electric shock. Contact a qualified technician immediately.
- Clean Cooktop With Caution – If a wet sponge or cloth is used to wipe spills on a hot cooking area, be careful to avoid steam burn. Some cleaners can produce noxious fumes if applied to a hot surface.

For units with ventilating hood –

- Clean Ventilating Hoods Frequently – Grease should not be allowed to accumulate on hood or filter.
- When flaming foods under the hood, turn the fan on.

For units with coil elements –

- Make Sure Reflector Pans or Drip Bowls Are in Place – Absence of these pans or bowls during cooking may subject wiring or components underneath to damage.
- Protective Liners – Do not use aluminum foil to line surface unit drip bowls, except as suggested in the manual. Improper installation of these liners may result in a risk of electric shock, or fire.
- Do Not Soak Removable Heating Elements - Heating elements should never be immersed in water.

SAVE THESE INSTRUCTIONS

This induction cooktop generates and uses ISM frequency energy that heats cookware by using an electromagnetic field. It has been tested and complies with Part 18 of the FCC Rules for ISM equipment. This induction cooktop meets the FCC requirements to minimize interference with other devices in residential installation.

This induction cooktop may cause interference with television or radio reception. If interference occurs, the user should try to correct the interference by:

- Relocating the receiving antenna of the radio or television.
- Increasing the distance between the cooktop and the receiver.
- Connecting the receiver into a different outlet.

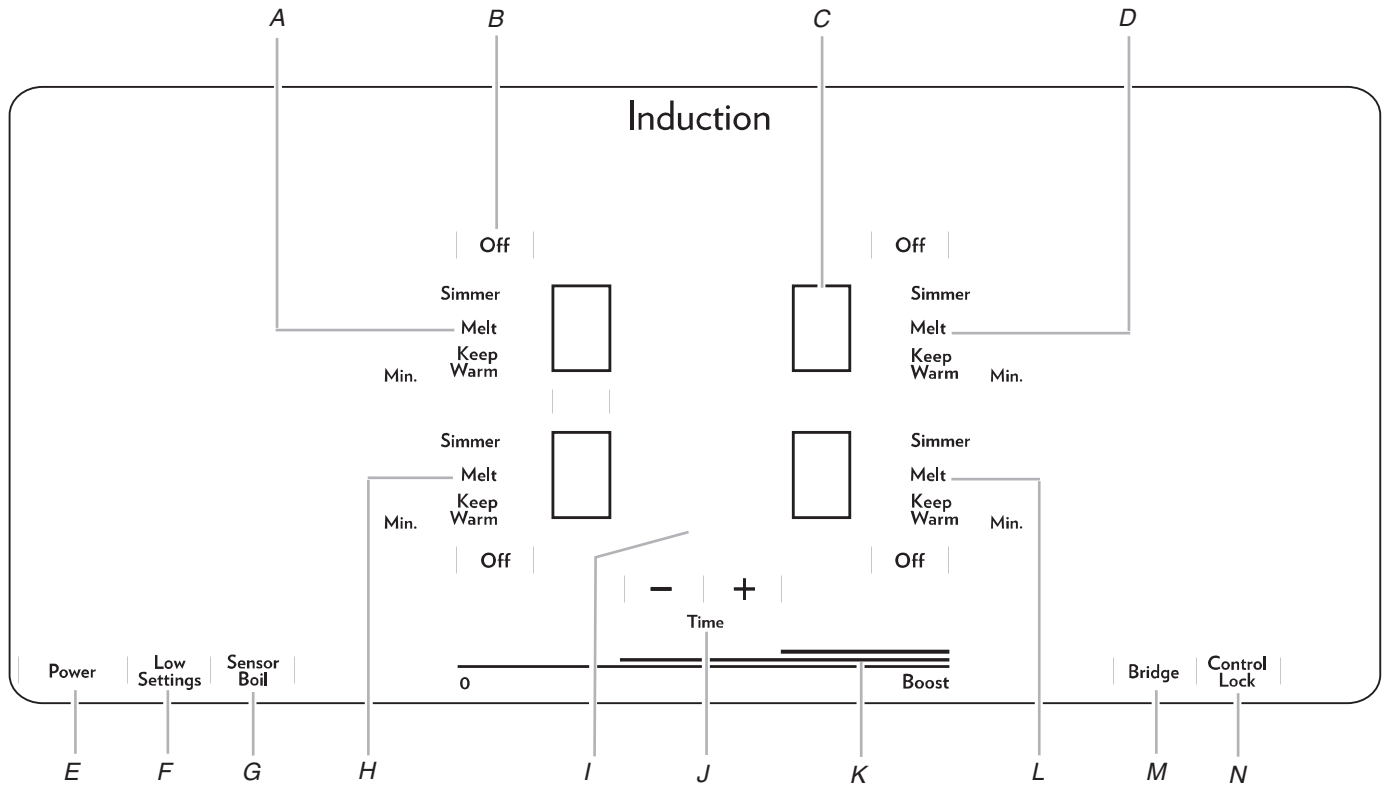
It is the user's responsibility to correct any interference.

NOTE: People with a pacemaker or similar medical device should use care when standing near this induction cooktop while it is on. The electromagnetic field may affect the pacemaker or similar device. Consult your doctor, or the manufacturer of the pacemaker or similar medical device for additional information about its effects with electromagnetic fields of the induction cooktop.

COOKTOP USE

This manual covers different models. The cooktop you have purchased may have some or all of the features listed.

30" (76.2 cm) Model JIC4430X

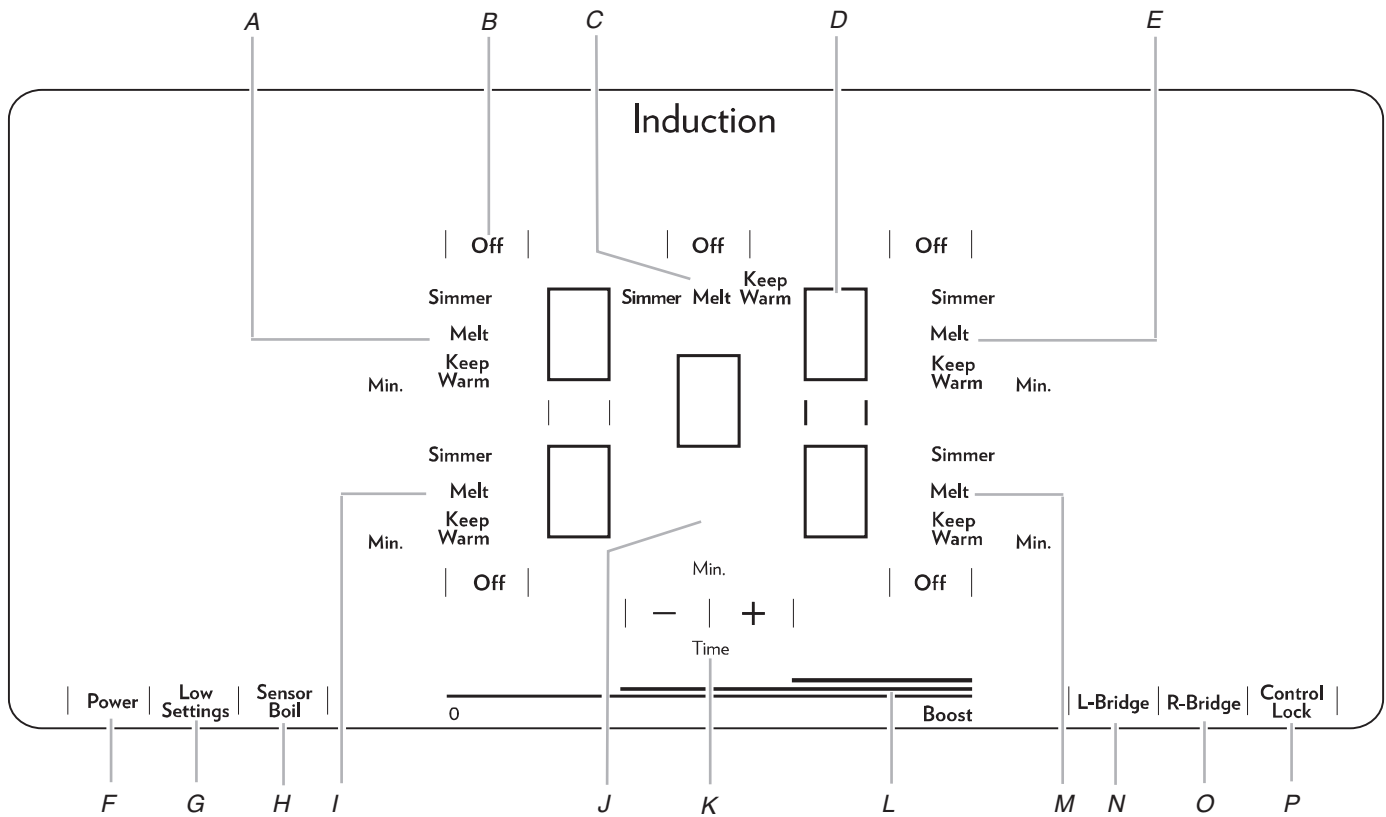


- A. Left rear surface cooking area display
- B. Surface cooking area off
- C. Heat level display
- D. Right rear surface cooking area display
- E. Power on/off

- F. Low settings
- G. Sensor Boil
- H. Left front surface cooking area display
- I. Timer display
- J. Timer (increase/decrease)

- K. Heat level slider
- L. Right front surface cooking area display
- M. Left side bridge
- N. Control lock

36" (91.4 cm) Model JIC4536X



- A. Left rear surface cooking area display
- B. Surface cooking area off
- C. Center surface cooking area display
- D. Heat level display
- E. Right rear surface cooking area display
- F. Power on/off
- G. Low settings
- H. Sensor Boil
- I. Left front surface cooking area display
- J. Timer display
- K. Timer (increase/decrease)
- L. Heat level slider
- M. Right front surface cooking area display
- N. Left side bridge
- O. Right side bridge
- P. Control lock

Induction Cooking

Induction cooking is quite different from traditional forms of cooking. The heat is generated directly in the pan, keeping the cooking surface cooler than a traditional element.

Induction cooking does not lose as much heat as traditional forms because all the heat is created in the pan itself.

The cooktop heats up or cools down quickly after the controls are set. It also stops heating when the pan is removed without turning off the power.

Food spilled on the cooktop surface will not burn because the glass is not heated. Induction cooking allows for immediate cleaning after use because the heat is created in the pan.

Pan size, material (see “Cookware” section), and positioning is very important to achieve maximum wattage.

The diameter of the pan’s base should be equal to the size of the element.

If the pan is too small, the burner does not sense the pan and will not activate.

Cooktop Controls

⚠ WARNING



Fire Hazard

**Turn off all controls when done cooking.
Failure to do so can result in death or fire.**

The touch-activated electronic controls offer a variety of heat settings for optimal cooking results. When melting foods such as chocolate or butter, the surface cooking area can be set to the Melt function for minimal cooking power.

For maximum surface cooking power, all cooktop touch-activated electronic controls can be set to Performance Boost when bringing liquids to a fast and rapid boil. Touch BOOST to immediately reach the highest setting.

NOTE: This cooktop will also work with a 208V operation where 240V installation is not available.

First use or after a power failure:

After connecting the cooktop to an electrical power supply or after a power failure, the control panel will be locked. An indicator light above the key icon will be on. To unlock the control panel, press and hold CONTROL LOCK for 3 seconds. The indicator light will turn off, and the cooktop is ready for use.

To Use

To Turn On the Cooktop:

1. Press POWER.

The indicator light above the Power keypad and a dash (“-”) in each surface cooking area will light to indicate that each surface cooking area is ready to be activated.

Inactivity for 1 minute after the main power has been turned on will automatically turn off the power to the cooktop.

If a cooking function or the power slider are touched without first selecting a surface cooking area, all dashes (one for each zone) will flash and an invalid tone will sound 3 times.

To Turn On a Surface Cooking Area:

1. Touch directly on the display area for the surface cooking area you want to use.

The current power level and indicator light will flash for 10 seconds then remain on.

Touching any other feature or the power slider stops the flashing and information for the keypad that was touched will be displayed.

When a surface cooking area is selected, the timer will also turn on to show that it can now be set.

When a surface cooking area is left at the “0” power level for 1 minute, the surface cooking area will automatically turn off and display only the middle dash without the indicator light.

2. Select a heat setting from 1 - 9 by touching/sliding on the power slider. The heat setting will appear in the surface cooking area display.

The power slider consists of 9 positions plus a “Boost” position. When the user slides to 0, “0” will be displayed. The surface cooking area will not turn on but remains active/selected.

When a surface cooking area is left at the “0” power level for 1 minute, the zone will automatically turn off and display only the middle dash without the indicator light.

Use the following chart as a guide when setting heat levels.

SETTING	RECOMMENDED USE
9 - Boost	■ Bring liquid to a boil.
9	■ Start food cooking.
7 - 8	■ Quickly brown or sear food.
6 - 7	■ Hold a rapid boil.
5 - 6	■ Fry or saute foods. ■ Cook soups, sauces and gravies.
4 - 5	■ Maintain a slow boil. ■ Stew or steam food.

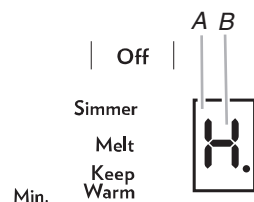
SETTING	RECOMMENDED USE
3 - 5	■ Range of simmer levels for simmering with or without a lid.
Melt	■ Melt chocolate or butter.
Simmer	■ Simmer sauces.
Keep Warm	■ Keep cooked foods warm.
Dual surface cooking area	■ Home canning. ■ Large-diameter cookware. ■ Large quantities of food.

To Turn Off:

1. Touch ON/OFF to turn off desired surface cooking area, 1 tone will sound when Off is pressed.
2. Touch POWER to turn off the cooktop when finished.

Hot Surface Indicator

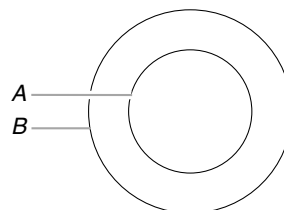
An “H” will appear in the heat setting display as long as any surface cooking area is too hot to touch, even after the surface cooking area(s) is turned off.



A. Heat setting display
B. Hot surface indicator “H”

Dual Size Surface Cooking Area (on some models)

The dual size surface cooking area offers flexibility to cook using different sizes of cookware. Single size can be used in the same way as a regular surface cooking area. The dual size combines inner and outer surface cooking areas and is recommended for larger cookware, large quantities of food, and home canning.



A. Single size
B. Dual size

The dual size surface cooking area contains two cooking areas. If the size of the pan is the same as the single size surface cooking area, the cooking area will work as a single size cooking area.

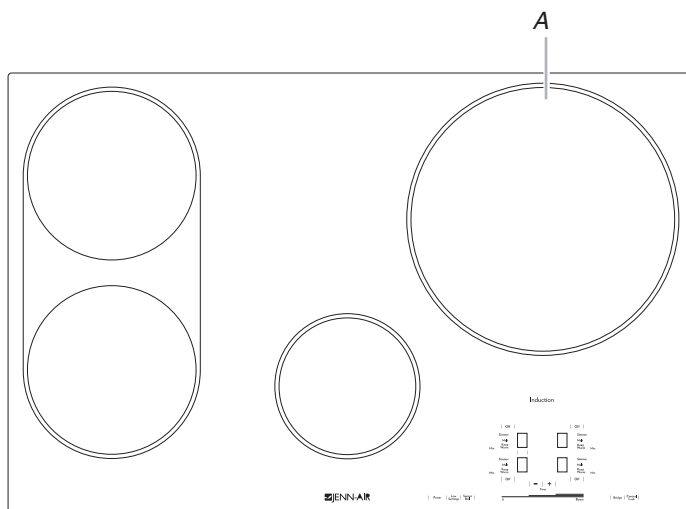
If the pan is slightly larger than the single size cooking area, it may activate only part of the dual size cooking area. This will result in the burner being less efficient and will increase the heating time.

If the size of the pan is the same as the dual size surface cooking area, the dual size cooking area will activate automatically.

Sensor Boil

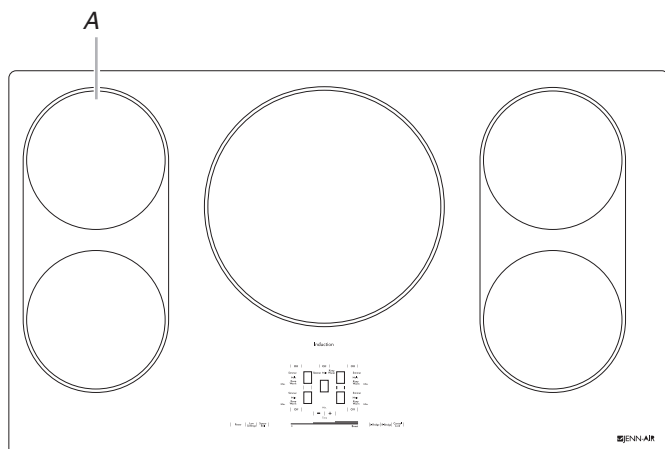
The Sensor Boil function automatically selects the ideal power level to boil water and has an audible beep when boiling is reached. Sensor Boil is available only on one surface cooking area. See the following illustrations for which surface cooking area has Sensor Boil for your cooktop.

30" (76.2 cm) Model JIC4430X



A. Surface cooking area with available Sensor Boil

36" (91.4 cm) Model JIC4536X



A. Surface cooking area with available Sensor Boil

When using Sensor Boil:

- Use only water at room temperature.
- Do not add salt or any other ingredients to water until boiling is reached.
- Do not use a lid on a pot while using the Sensor Boil function.
- Do not use the Sensor Boil function if the surface cooking area is hot. "H" will appear in the display when the surface cooking area is hot.
- Do not change the power level or move the pot.
- Fill the pot at least one-third of the way full with at least 4 cups (946 mL) of water but not up to the brim. Do not use Sensor Boil with more than approximately 5 qt (5 L) for 36" (91.4 cm) models, or 7 qt (7 L) for 30" (76.2 cm) models.

- For best results, use pots with a diameter between 9½" (24 cm) and 11" (28 cm) for 30" (76.2 cm) models. Use pots with a diameter between 6½" (17 cm) and 7½" (19 cm) for 36" (91.4 cm) models.
- Do not use pressure cookers.
- The quality of the cookware being used may affect the performance of the Sensor Boil function.

To Use:

To Turn On:

1. Check that the surface cooking area with available Sensor Boil has been selected.
2. Put the pot on the selected surface cooking area for sensor boiling.
3. Touch SENSOR BOIL. "A" will appear in the display, and the indicator light next to Sensor Boil will light.

When the boiling point is reached, the cooktop will beep 3 times at regular intervals. After the second set of beeps, a minute counter will start counting the boiling time automatically. After the third set of beeps, the cooktop will automatically switch to a lower power level suitable to maintain the boil.

To Turn Off:

Sensor Boil can be turned off in 3 different ways:

1. Use the power slider to set to a heat level.
OR
2. Touch the surface cooking area OFF keypad.
OR
3. Select a different cooking function.

NOTE: The cooktop manages the Sensor Boil and Performance Boost functions automatically. In some cases, it may not be able to use the Sensor Boil and Performance Boost functions simultaneously.

Low Settings

The Low Settings function can be used with all surface cooking areas. Low Settings can be used on more than 1 surface cooking area at a time.

The Low Settings function allows you to select the Simmer, Melt or Keep Warm functions for a specific surface cooking area.

To Use

To Turn On:

1. Check that a surface cooking area has been selected.
2. Touch LOW SETTINGS. "A" will appear in the display for the surface cooking area selected.
3. Press LOW SETTINGS until an indicator light next to the desired function is lit.
The timer remains visible and can be set if desired.

To Turn Off:

Low Settings can be turned off in 3 different ways:

1. Use the power slider to set to a heat level.
OR
2. Touch the surface cooking area OFF keypad.
OR
3. Select a different cooking function.

Simmer

The Simmer function can be used with all surface cooking areas. Simmer can be used on more than 1 surface cooking area at a time.

To Use:

To Turn On:

1. Check that a surface cooking area has been selected.
2. Touch SIMMER. "A" will appear in the display, and the indicator light next to Simmer will light.

The timer remains visible and can be set if desired.

To Turn Off:

Simmer can be turned off in 3 different ways:

1. Use the power slider to set to a heat level.
OR
 2. Touch the surface cooking area OFF keypad.
OR
 3. Select a different cooking function.
-

Melt

The Melt + Hold function can be used with all surface cooking areas. Melt + Hold can be used on more than 1 surface cooking area at a time.

To Use

To Turn On:

1. Check that a surface cooking area has been selected.
2. Touch MELT + HOLD. "A" will appear in the display, and the indicator light next to Melt + Hold will light.

The timer remains visible and can be set if desired.

To Turn Off:

Melt + Hold can be turned off in 3 different ways:

1. Use the power slider to set to a heat level.
OR
 2. Touch the surface cooking area OFF keypad.
OR
 3. Select a different cooking function.
-

Keep Warm

⚠️ WARNING

Food Poisoning Hazard

Do not let food sit for more than one hour before or after cooking.

Doing so can result in food poisoning or sickness.

The Keep Warm function can be used with all surface cooking areas. Keep Warm can be used on more than 1 surface cooking area at a time. Keep warm is not recommended for heating cold foods.

To Use

To Turn On:

1. Check that a surface cooking area has been selected.
2. Touch KEEP WARM. "A" will appear in the display, and the indicator light next to Keep Warm will light.

The timer remains visible and can be set if desired.

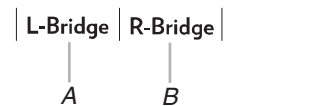
To Turn Off:

Keep Warm can be turned off in 3 different ways:

1. Use the power slider to set to a heat level.
OR
 2. Touch the surface cooking area OFF keypad.
OR
 3. Select a different cooking function.
-

Bridge

(on some models)



A. Left side bridge
B. Right side bridge

The Bridge function can be activated when surface cooking areas are on or when they are off. The Bridge function allows you to use 2 cooking zones as an extra-large cooking zone.

To Turn On a Bridge:

1. Touch the desired Bridge keypad (left side bridge or right side bridge).

The indicator light above the Bridge keypad will light. The heat setting levels for the 2 surface cooking areas will default to "0" and can be set from a minimum of "1" to a maximum of "9." Any timers that may be running for the 2 surface cooking areas will turn off, and 2 dashes "--" will appear in the timer display.

2. Slide a finger on the Heat Level Slider to change the power level up or down.

The selected heat level will show in the heat level display for each surface cooking area using the bridge.

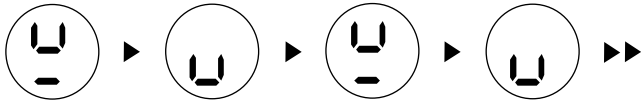
To Turn Off a Bridge:

1. Touch the Bridge keypad for the zone being used (left side bridge or right side bridge).
The surface cooking areas will resume operation as 2 separate areas.

NOTE: Performance Boost cannot be used on the same elements in combination when the Bridge function.

Pan Detection

If the system cannot recognize the pan, or if the pan has been removed from the surface cooking area, the “replace pan” animation appears in the cooking area display as a reminder. See the following illustration.



If the pan is not placed within 30 seconds, the zone(s) will switch Off.

If a Timer is running when a pan is removed, the countdown will continue.

Control Lock

The Control Lock avoids unintended use of the surface cooking areas.

If Control Lock is activated when power to the cooktop is off, the cooktop is locked out, and the surface cooking areas cannot be turned on by the cooktop touch controls.

If Control Lock is activated when power to the cooktop is on, all keypads are locked out except for the Power and On/Off keypads.

To Lock Cooktop:

Touch and hold the CONTROL LOCK keypad for 3 seconds. After 3 seconds, a tone will sound and the indicator light above the Control Lock keypad will light, indicating that the cooktop controls are in the lockout position.

If the cooktop is in use when Control Lock is activated, cooking will proceed as normal and any timers that have been set will continue their countdown.

To Unlock Cooktop:

Touch and hold the CONTROL LOCK keypad for 3 seconds.

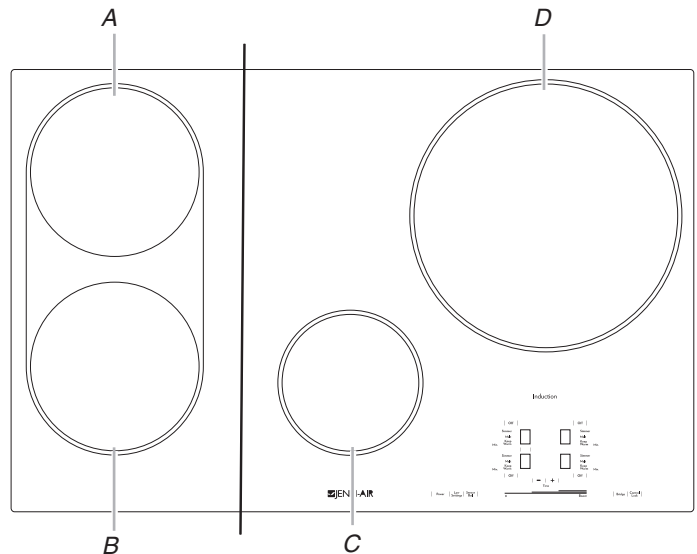
Performance Boost Function

This function allows you to increase the heat setting level above the maximum heat setting 9 for 10 minutes or less.

NOTE: Performance Boost is not available when the Bridge function is activated.

30" (76.2 cm) Model JIC4430X

Performance Boost function is available on only 1 surface cooking area at a time within a zone. If you attempt to use another surface cooking area in the same zone, “P” and “9” will briefly flash in the display before returning to heat setting level 9. The surface cooking area that was set to the Performance boost function will automatically reset to heat setting level 9. See the following illustrations for zones.



Zone 1

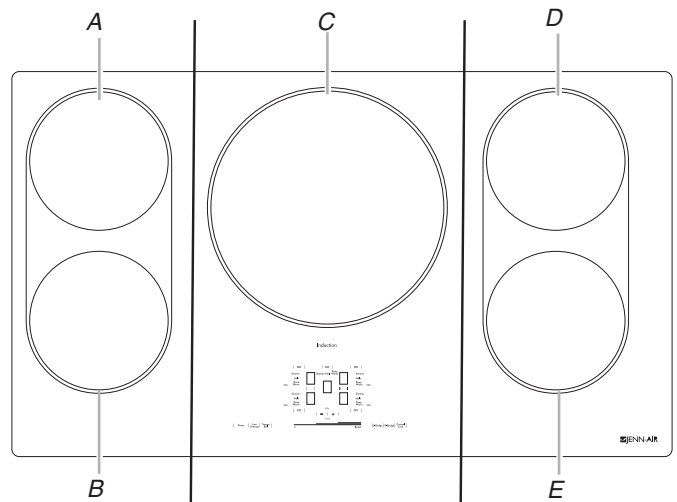
- A. Surface cooking area 1
- B. Surface cooking area 2

Zone 2

- C. Surface cooking area 3
- D. Surface cooking area 4

36" (91.4 cm) Model JIC4536X

Performance Boost function is available on all surface cooking areas at the same time within a zone. See the following illustrations for zones.



Zone 1

- A. Surface cooking area 1
- B. Surface cooking area 2

Zone 2

- C. Surface cooking area 3, dual element with 5000W performance boost

Zone 3

- D. Surface cooking area 4
- E. Surface cooking area 5

To Use:

1. Check that a surface cooking area has been selected.
2. Touch BOOST. "P" will appear in the display.
3. Touch BOOST keypad when finished. The "P" will no longer be visible in the display, and the Performance boost function will no longer be active. The surface cooking area turns back to heat setting level 9.

NOTE: The Performance boost function may automatically deactivate to keep the internal electronic components of the cooktop from becoming too hot.

Timer

Use the cooking timer to set times up to 90 minutes. The timer is independent of any other control settings. There is a separate timer for each cooking zone.

To Use:

1. Select the desired cooking zone.
2. Touch the TIME keypad. "01" will appear in the timer display.
3. Touch the ">" key to increase the time in 1-minute increments.
or
Touch the "<" key to decrease the time in 1-minute increments.
4. The timer will start to count down after a few seconds.
To change the time, touch the time ">" or "<" keypads.
5. When the countdown is finished, "00" flashes and a tone will sound.

NOTE: When the power is restored after an interruption, the timer will no longer be running.

Tones

Tones are audible signals, indicating the following:

One tone

- Valid pad press
- Slider is moved to "0" power level
- Slider is moved to "Boost" power level

Two tones

- Invalid pad press

Three tones

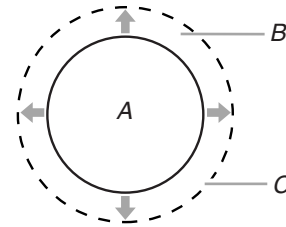
- End of Timer cycle
- Boiling point is reached when using the Sensor Boil feature

Ceramic Glass

Cleaning off the induction cooktop before and after each use will help keep it free from stains and provide the most even heating. For more information, see "General Cleaning" section.

- Avoid storing jars or cans above the cooktop. Dropping a heavy or hard object onto the cooktop could crack the cooktop.
- To avoid damage to the cooktop, do not leave a hot lid on the cooktop. As the cooktop cools, air can become trapped between the lid and the cooktop, and the ceramic glass could break when the lid is removed.

- For foods containing sugar in any form, clean up all spills and soils as soon as possible. Allow the cooktop to cool down slightly. Then, while wearing oven mitts, remove the spills while the surface is still warm. If sugary spills are allowed to cool down, they can adhere to the cooktop and can cause pitting and permanent marks.
- To avoid scratches, do not slide cookware or bakeware across the cooktop.
- To avoid damage to the cooktop, do not allow objects that could melt, such as plastic or aluminum foil, to touch any part of the entire cooktop.
- To avoid damage to the cooktop, do not use the cooktop as a cutting board.
- Use cookware about the same size as the surface cooking area. Cookware should not extend more than ½" (1.3 cm) outside the area.



A. Surface cooking area
B. Cookware/canner
C. ½" (1.3 cm) Maximum overhang

- Use flat-bottomed cookware for best heat conduction and energy efficiency. Cookware with rounded, warped, ribbed or dented bottoms could cause uneven heating and poor cooking results.
- Determine flatness by placing the straight edge of a ruler across the bottom of the cookware. While you rotate the ruler, no space or light should be visible between it and the cookware.
- Make sure the bottoms of pots and pans are clean and dry before using them. Residue and water can leave deposits when heated.

Cookware

Only ferromagnetic pans can be used for induction cooking.

Ferromagnetic materials include:

- Enameled steel
- Cast iron
- Stainless steel designed for induction cooking

Non-ferromagnetic materials include:

These types of pans will not work with induction cooking.

- Stainless steel
- Glass
- Ceramic
- Copper or aluminum pans

To find out whether your pans can be used with an induction cooktop, flip the pan over, hold a magnet to the bottom of the pan, and see whether it sticks. If the magnet sticks to the bottom of the pan, the pan is ferromagnetic and can be used for induction cooking.

The number on the surface cooking area heat setting display will flash if no pan is placed on the surface cooking area, or the pan is not made of the right material, or it is not the right size. It will stop flashing once a suitable pan is placed on the surface cooking area. If you take longer than 90 seconds to place the correct pan on the surface cooking area, the surface cooking area will turn off.

Ideal cookware should have a flat bottom, straight sides and a well-fitting lid, and the material should be of medium-to-heavy thickness.

Choose the correct pan size for each surface cooking area. The diameter of the pan's base should correspond to the size of the surface cooking area.

NOTE: Cookware manufacturers often give the diameter across the top of the pan. This is usually larger than the diameter of the base.

Pans with rough finishes may scratch the cooktop.

COOKTOP CARE

General Cleaning

IMPORTANT: Before cleaning, make sure all controls are off and the cooktop is cool. Always follow label instructions on cleaning products.

Soap, water and a soft cloth or sponge are suggested first unless otherwise noted.

CERAMIC GLASS

To avoid damage, do not use steel wool, abrasive powder cleansers, chlorine bleach, rust remover or ammonia.

Cleaning Method:

Always wipe with a clean, wet cloth or sponge and dry thoroughly to avoid streaking and staining.

Cooktop Cleaner is recommended for regular use to help avoid scratches, pitting and abrasions, and to condition the cooktop. It may be ordered as an accessory. See "Assistance or Service" section to order.

A Cooktop Scraper is also recommended for stubborn soils, and can be ordered as an accessory. See "Assistance or Service" section to order. The Cooktop Scraper uses razor blades. Store razor blades out of the reach of children.

Light to moderate soil

- Paper towels or clean damp sponge.
- Cooktop Cleaner and clean damp paper towel:

Clean as soon as cooktop has cooled down. Rub creme into surface with a damp paper towel or soft cloth. Continue rubbing until white film disappears.

Sugary spills (jellies, candy, syrup)

- Cooktop Scraper:

Clean while the cooktop is still warm. You may want to wear oven mitts while cleaning the cooktop.

Heavy soil, dark streaks, specks and discoloration

- Cooktop Cleaner or nonabrasive cleanser:

Rub product into soil with a damp paper towel or soft cloth. Continue rubbing until white film disappears.

Burned-on soil

- Cooktop Cleaner and Cooktop Scraper:

Rub creme into soil with damp paper towel. Hold scraper as flat as possible on surface and then scrape. Repeat for stubborn spots. Polish entire cooktop with creme and paper towel.

Tiny scratches and abrasions

- Cooktop Cleaner:

Rub creme into surface with a damp paper towel or soft cloth. Continue rubbing until white film disappears. Scratches and abrasions do not affect cooking performance and after many cleanings become less noticeable.

TROUBLESHOOTING

Try the solutions suggested here first in order to avoid the cost of an unnecessary service call.

Nothing will operate

- **Is the cooktop wired properly?** See the Installation Instructions for more information.
- **Has a household fuse blown, or has a circuit breaker tripped?** Replace the fuse or reset the circuit breaker. If the problem continues, call an electrician.

Cooktop will not operate

- **Is the cooktop control set correctly?** Touch the display area on the control panel to select a cooking surface before selecting a function.
- **Is the “Control Lock” Cooktop Lockout set?** See “Control Lock” section.
- **Has the cooktop turned off by itself?** The power off key was unintentionally touched. Press power key again. Reset the cooktop.

Excessive heat around cookware on cooktop

- **Is the cookware the proper size?** Use cookware about the same size as the surface cooking area. Cookware should not extend more than ½" (1.3 cm) outside the cooking area.

Cooktop cooking results not what expected

- **Is the proper cookware being used?** See “Cookware” section.
- **Is the cooktop control set to the proper heat level?** See “Cooktop Controls” section.
- **Is the cooktop level?** Level the cooktop. See the Installation Instructions.

Display shows messages

- **Is the display flashing when you place a saucepan on an induction surface cooking area?** Check that the saucepan is electromagnetic. Check that the diameter of the saucepan is large enough. Center the saucepan on the surface cooking area. Allow the saucepan to cool down in the event that it has become hot when used. Switch the surface cooking area off, then on again. If the display still does not light up, turn power off at the circuit breaker. Wait 20 seconds and turn power back on.
- **Is the Performance boost function display flashing and switching off?** The Performance boost function operates the surface cooking area with the most power. During long cooking times, it is possible that the function will switch the surface cooking area off to keep the cooktop from overheating. You can continue to use the cooktop if the display is not flashing.

- **Is the display flashing “Er” and numbers?** If an “Er” and a series of numbers appear in the display panel, turn power off at the circuit breaker. Turn on again. If problem continues, call customer service. See “Assistance or Service” section.
- **Is the display flashing “F” or “C” and numbers?** If “F” or “C” and a number are alternately flashing on the display, refer to the following table for possible solutions.

Error Code	Error	Solution
Cooktop has turned off and is beeping every 10 sec.	An object, liquids or soils are putting pressure on the control panel.	Thoroughly wipe or remove any object on touch keys.
F42, F43	The power voltage is too low or too high.	Turn off the cooktop. Wait 5 seconds, then turn it back on. If this continues, contact a qualified electrician.
C81, C82, C83	The surface cooking area has overheated.	The surface cooking area automatic shutoff was activated. Wait 5 minutes for it to cool down, then turn it back on. Turn off oven if it is running a self cleaning cycle.
F12, F21, F25, F36, F37, F40, F47, F56, F58, 560, F61, F62, F63, F64		Call customer service. See the “Assistance or Service” section.

Operational cooktop sounds

- **Is there a low humming?** This occurs when cooking at high power. The cause of this is the amount of energy that is transmitted from the appliance to the cookware. This sound will quiet or go away when the power is turned down.
- **Is there a crackling?** This sound occurs when cookware is used that consists of different materials. The noise is caused by vibrations in the joint faces between the different layers. It may change depending on the amount and type of food being cooked.
- **Is there a fan noise?** The electronics require a controlled temperature in order to function reliably. The cooktop is fitted with a fan that runs at various speeds according to the temperature detected. The fan may also continue to run even after the cooktop has been switched off, if the temperature it detects is too high.

ASSISTANCE OR SERVICE

Before calling for assistance or service, please check “Troubleshooting.” It may save you the cost of a service call. If you still need help, follow the instructions below.

When calling, please know the purchase date and the complete model and serial number of your appliance. This information will help us to better respond to your request.

In the U.S.A.

If the problem is not due to one of the items listed in the “Troubleshooting” section...

Call the dealer from whom your appliance was purchased, or call Jenn-Air at **1-800-JENNAIR (1-800-536-6247)** to locate an authorized service company. When calling, please know the purchase date and the complete model and serial number of your appliance. Be sure to retain proof of purchase to verify warranty status.

If the dealer or service company cannot resolve your problem, write to:

Jenn-Air Brand Home Appliances
Customer eXperience Center
553 Benson Road
Benton Harbor, MI 49022-2692

Web address: www.jennair.com

Or call: **1-800-JENNAIR (1-800-536-6247)**

U.S. customers using TTY for deaf, hearing impaired or speech impaired, call: **1-800-688-2080**.

NOTE: When writing or calling about a service problem, please include the following information:

1. Your name, address and daytime telephone number.
2. Appliance model number and serial number.
3. Name and address of your dealer or servicer.
4. A clear description of the problem you are having.
5. Proof of purchase (sales receipt).

User’s guides, service manuals and parts information are available from Jenn-Air Brand Home Appliances, Customer eXperience Center.

Accessories

Cooktop Bracket Adhesive Kit

(for marble countertop installations only)

Order Part Number W10310006

Cooktop Cleaner

(ceramic glass models)

Order Part Number 31464

Cooktop Protectant

(ceramic glass models)

Order Part Number 31463

Cooktop Scraper

(ceramic glass models)

Order Part Number WA906B

All-Purpose Appliance Cleaner

Order Part Number 31662

In Canada

If the problem is not due to one of the items listed in the “Troubleshooting” section...

Call the dealer from whom your appliance was purchased, or call Jenn-Air at **1-800-807-6777** to locate an authorized service company. When calling, please know the purchase date and the complete model and serial number of your appliance. Be sure to retain proof of purchase to verify warranty status.

If the dealer or service company cannot resolve your problem, write to:

Jenn-Air Brand Home Appliances
Customer eXperience Centre
200 - 6750 Century Ave.
Mississauga, ON L5N 0B7

Web address: www.jennair.ca

Or call: **1-800-807-6777**.

NOTE: When writing or calling about a service problem, please include the following information:

1. Your name, address and daytime telephone number.
2. Appliance model number and serial number.
3. Name and address of your dealer or servicer.
4. A clear description of the problem you are having.
5. Proof of purchase (sales receipt).

User’s guides, service manuals and parts information are available from Jenn-Air Brand Home Appliances, Customer eXperience Centre.

JENN-AIR® COOKING APPLIANCE WARRANTY

LIMITED WARRANTY

For one year from the date of purchase, when this major appliance is operated and maintained according to instructions attached to or furnished with the product, Jenn-Air brand of Whirlpool Corporation or Whirlpool Canada LP (hereafter "Jenn-Air") will pay for factory specified parts and repair labor to correct defects in materials or workmanship. Service must be provided by a Jenn-Air designated service company. This limited warranty is valid only in the United States or Canada and applies only when the major appliance is used in the country in which it was purchased. Outside the 50 United States and Canada, this limited warranty does not apply. Proof of original purchase date is required to obtain service under this limited warranty.

SECOND THROUGH FIFTH YEAR LIMITED WARRANTY ON CERTAIN COMPONENT PARTS

In the second through fifth years from the date of purchase, when this appliance is operated and maintained according to instructions attached to or furnished with the product, Jenn-Air will pay for factory specified parts for the following components (if applicable to the product) if defective in materials or workmanship:

- Electric element
 - Touch Pad and microprocessor
 - Glass ceramic cooktop: if due to thermal breakage
 - Electronic controls
 - Magnetron tube
 - Sealed gas burners
-

ITEMS EXCLUDED FROM WARRANTY

This limited warranty does not cover:

1. Service calls to correct the installation of your major appliance, to instruct you on how to use your major appliance, to replace or repair house fuses, or to correct house wiring or plumbing.
2. Service calls to repair or replace appliance light bulbs, air filters or water filters. Consumable parts are excluded from warranty coverage.
3. Repairs when your major appliance is used for other than normal, single-family household use or when it is used in a manner that is contrary to published user or operator instructions and/or installation instructions.
4. Damage resulting from accident, alteration, misuse, abuse, fire, flood, acts of God, improper installation, installation not in accordance with electrical or plumbing codes, or use of consumables or cleaning products not approved by Jenn-Air.
5. Cosmetic damage, including scratches, dents, chips or other damage to the finish of your major appliance, unless such damage results from defects in materials or workmanship and is reported to Jenn-Air within 30 days from the date of purchase.
6. Any food loss due to refrigerator or freezer product failures.
7. Costs associated with the removal from your home of your major appliance for repairs. This major appliance is designed to be repaired in the home and only in-home service is covered by this warranty.
8. Repairs to parts or systems resulting from unauthorized modifications made to the appliance.
9. Expenses for travel and transportation for product service if your major appliance is located in a remote area where service by an authorized Jenn-Air servicer is not available.
10. The removal and reinstallation of your major appliance if it is installed in an inaccessible location or is not installed in accordance with published installation instructions.
11. Major appliances with original model/serial numbers that have been removed, altered or cannot be easily determined. This warranty is void if the factory applied serial number has been altered or removed from your major appliance.

The cost of repair or replacement under these excluded circumstances shall be borne by the customer.

DISCLAIMER OF IMPLIED WARRANTIES; LIMITATION OF REMEDIES

CUSTOMER'S SOLE AND EXCLUSIVE REMEDY UNDER THIS LIMITED WARRANTY SHALL BE PRODUCT REPAIR AS PROVIDED HEREIN. IMPLIED WARRANTIES, INCLUDING WARRANTIES OF MERCHANTABILITY OR FITNESS FOR A PARTICULAR PURPOSE, ARE LIMITED TO ONE YEAR OR THE SHORTEST PERIOD ALLOWED BY LAW. JENN-AIR SHALL NOT BE LIABLE FOR INCIDENTAL OR CONSEQUENTIAL DAMAGES. SOME STATES AND PROVINCES DO NOT ALLOW THE EXCLUSION OR LIMITATION OF INCIDENTAL OR CONSEQUENTIAL DAMAGES, OR LIMITATIONS ON THE DURATION OF IMPLIED WARRANTIES OF MERCHANTABILITY OR FITNESS, SO THESE EXCLUSIONS OR LIMITATIONS MAY NOT APPLY TO YOU. THIS WARRANTY GIVES YOU SPECIFIC LEGAL RIGHTS, AND YOU MAY ALSO HAVE OTHER RIGHTS WHICH VARY FROM STATE TO STATE OR PROVINCE TO PROVINCE.

If outside the 50 United States and Canada, contact your authorized Jenn-Air dealer to determine if another warranty applies.

If you need service, first see the "Troubleshooting" section of the Use & Care Guide. After checking "Troubleshooting," you may find additional help by checking the "Assistance or Service" section or by calling Jenn-Air. In the U.S.A., call **1-800-536-6247**. In Canada, call **1-800-807-6777**.

6/09

Keep this book and your sales slip together for future reference. You must provide proof of purchase or installation date for in-warranty service.

Write down the following information about your major appliance to better help you obtain assistance or service if you ever need it. You will need to know your complete model number and serial number. You can find this information on the model and serial number label located on the product.

Dealer name _____

Address _____

Phone number _____

Model number _____

Serial number _____

Purchase date _____

SÉCURITÉ DE LA TABLE DE CUISSON

Votre sécurité et celle des autres est très importante.

Nous donnons de nombreux messages de sécurité importants dans ce manuel et sur votre appareil ménager. Assurez-vous de toujours lire tous les messages de sécurité et de vous y conformer.



Voici le symbole d'alerte de sécurité.

Ce symbole d'alerte de sécurité vous signale les dangers potentiels de décès et de blessures graves à vous et à d'autres.

Tous les messages de sécurité suivront le symbole d'alerte de sécurité et le mot "DANGER" ou "AVERTISSEMENT". Ces mots signifient :

⚠ DANGER

Risque possible de décès ou de blessure grave si vous ne suivez pas immédiatement les instructions.

⚠ AVERTISSEMENT

Risque possible de décès ou de blessure grave si vous ne suivez pas les instructions.

Tous les messages de sécurité vous diront quel est le danger potentiel et vous disent comment réduire le risque de blessure et ce qui peut se produire en cas de non-respect des instructions.

IMPORTANTES INSTRUCTIONS DE SÉCURITÉ

AVERTISSEMENT : Pour réduire le risque d'incendie, de choc électrique, de blessures ou de dommages lors de l'utilisation de la table de cuisson, observer les précautions élémentaires suivantes, y compris ce qui suit :

- **MISE EN GARDE :** Ne pas remiser dans les armoires au-dessus d'une table de cuisson, des articles que des enfants pourraient vouloir atteindre. Les enfants pourraient se brûler ou se blesser en grimpant sur la table de cuisson.
 - Installation appropriée – S'assurer que la table de cuisson est correctement installée et reliée à la terre par un technicien qualifié.
 - Ne jamais utiliser la table de cuisson pour réchauffer ou chauffer la pièce.
 - Ne pas laisser les enfants seuls – Les enfants ne doivent pas être laissés seuls ou sans surveillance dans la pièce où la table de cuisson est en service. Ne jamais laisser les enfants s'asseoir ou se tenir sur une partie quelconque de la table de cuisson.
 - Porter des vêtements appropriés – Des vêtements amples ou détachés ne doivent jamais être portés pendant l'utilisation de la table de cuisson.
 - Entretien par l'utilisateur – Ne pas réparer ou remplacer toute pièce de la table de cuisson si ce n'est pas spécifiquement recommandé dans le manuel. Toute autre opération d'entretien ou de réparation doit être confiée à un technicien qualifié.
 - Remisage sur la table de cuisson – Des matériaux inflammables ne doivent pas être remisés près des éléments à la surface.
 - Ne pas utiliser d'eau sur un feu de graisse – Étouffer le feu ou la flamme ou utiliser un extincteur à produits chimiques secs ou à mousse.
 - N'utiliser que des mitaines de four sèches – Des mitaines de four mouillées ou humides sur des surfaces chaudes peuvent provoquer des brûlures provenant de la vapeur. Ne pas laisser les mitaines de four toucher les éléments chauffants. Ne pas utiliser une serviette ou autre tissu épais.
 - **NE PAS TOUCHER LES ÉLÉMENTS À LA SURFACE OU L'ESPACE PRÈS DES ÉLÉMENTS** – Les éléments de surface peuvent être chauds même lorsqu'ils ont une teinte foncée. Les endroits près des éléments à la surface peuvent devenir assez chauds pour provoquer des brûlures. Pendant et après l'utilisation, ne pas toucher les éléments chauffants et ne pas laisser les vêtements ou autres matériaux inflammables entrer en contact avec ces éléments de surface ou les endroits près des éléments, avant qu'ils soient suffisamment refroidis. Ces endroits comprennent la table de cuisson et les surfaces près de la table de la cuisson.
 - Utiliser des ustensiles de format approprié – La table de cuisson est munie d'un ou de plusieurs éléments chauffants de différentes grandeurs. Choisir les ustensiles qui ont un fond plat assez grand pour couvrir l'élément chauffant de la surface de cuisson. L'utilisation d'ustensiles trop petits exposera une partie de l'élément chauffant, ce qui peut provoquer l'inflammation des vêtements. L'utilisation d'un récipient de format correct améliore l'efficacité de la cuisson.
 - Ne jamais laisser les éléments de la table de cuisson sans surveillance alors qu'ils chauffent à la puissance maximale – Il pourrait en résulter une ébullition qui cause de la fumée et des renversements de corps gras qui peuvent s'enflammer.
 - Ustensiles de cuisson vitrifiés – Seulement certains types d'ustensiles de verre, vitrocéramique, céramique, faïence ou autres surfaces vitrifiées conviennent pour le service sur une table de cuisson, sans bris attribuables aux changements soudains de température.
 - Les poignées des ustensiles doivent être tournées vers l'intérieur et non vers le dessus des éléments adjacents – Pour réduire les risques de brûlures, d'inflammation de produits combustibles et de renversements dus à l'entrechoquement non intentionnel des ustensiles, la poignée d'un ustensile doit être positionnée de sorte qu'elle est tournée vers l'intérieur et non au-dessus des éléments de surface adjacents.
 - Ne pas faire cuire sur une table de cuisson endommagée – Si la table de cuisson est brisée, les solutions de nettoyage et les renversements peuvent pénétrer dans la table brisée et créer le risque d'un choc électrique. Contacter immédiatement un technicien qualifié.
 - Nettoyer la table de cuisson avec prudence – Si une éponge ou un chiffon mouillé est utilisé pour essuyer les renversements sur une surface de cuisson chaude, éviter les brûlures causées par la vapeur chaude. Certains nettoyeurs peuvent produire des émanations désagréables lorsqu'ils sont utilisés sur une surface chaude.
- Pour les appareils avec hotte de ventilation –**
- Nettoyer les hottes de ventilation fréquemment – La graisse ne doit pas s'accumuler sur la hotte ou le filtre.
 - Lorsque vous flambez des aliments sous la hotte, mettre le ventilateur en marche.
- Pour les appareils à éléments en spirale –**
- S'assurer que les cuvettes de propreté sont en place – L'absence de ces cuvettes au cours de la cuisson peut causer des dommages aux fils ou aux composants en dessous des éléments.
 - Garnissages protecteurs – Ne pas recouvrir les cuvettes de papier d'aluminium sauf tel que suggéré dans le manuel. L'installation incorrecte de papier d'aluminium ou autre matériau peut causer un risque de choc électrique ou d'incendie.
 - Ne pas tremper les éléments de chauffage amovibles – Les éléments de chauffage ne doivent jamais être immergés dans l'eau.

CONSERVEZ CES INSTRUCTIONS

Cette table de cuisson à induction génère et utilise une énergie de fréquence ISM qui chauffe l'ustensile de cuisson à l'aide d'un champ électromagnétique. Elle a été testée et déclarée conforme à la section 18 du règlement FCC pour l'équipement ISM. Cette table de cuisson à induction satisfait aux exigences du règlement FCC pour la minimisation des interférences avec d'autres dispositifs résidentiels.

Cette table de cuisson à induction peut causer des interférences pour la réception de la télévision et de la radio. En cas d'interférence, l'utilisateur doit essayer d'y remédier en prenant une ou plusieurs des mesures suivantes :

Changer l'orientation de l'antenne de réception de la radio ou de la télévision.

Éloigner la table de cuisson du récepteur.

Brancher le récepteur dans une prise différente.

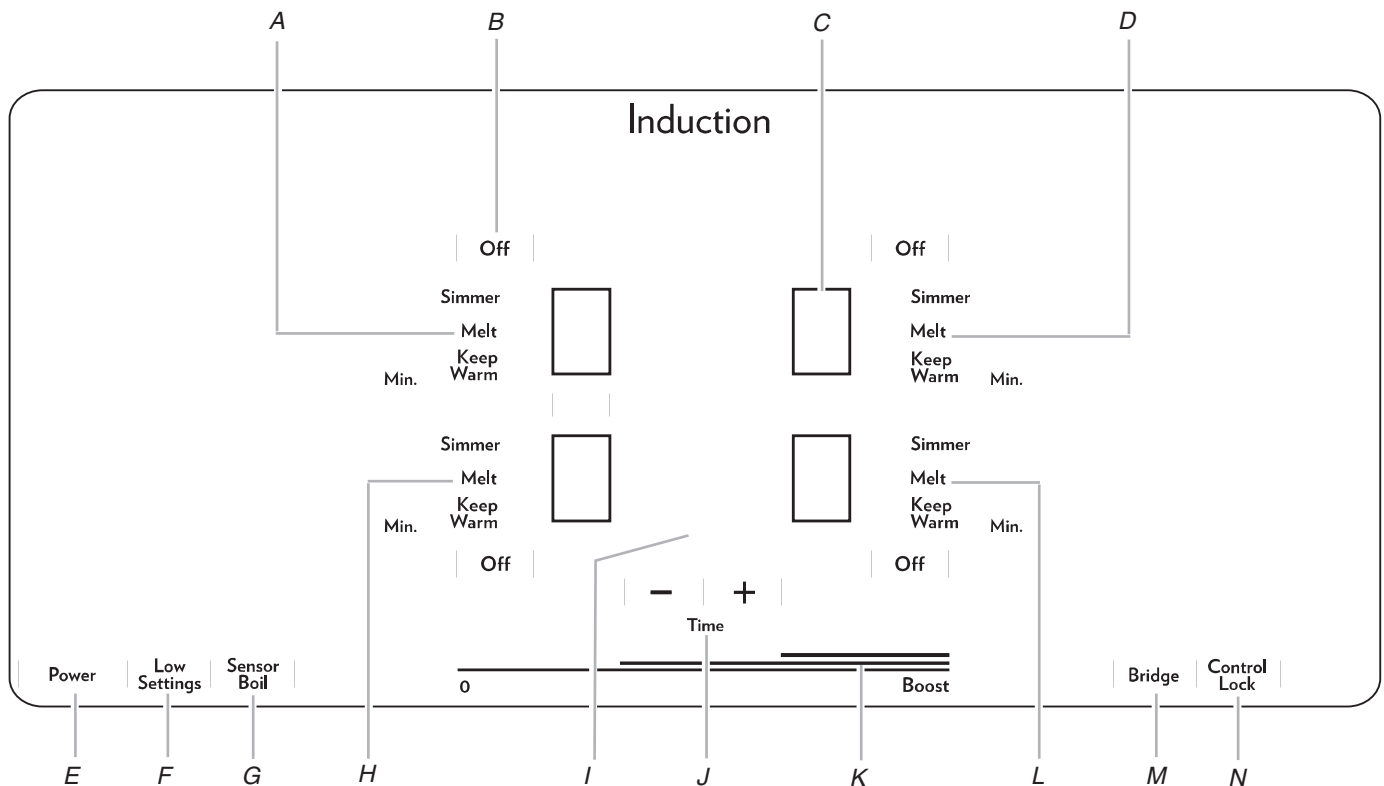
Il incombe à l'utilisateur de corriger toute interférence.

REMARQUE : Les personnes utilisant un pacemaker ou un dispositif médical similaire doivent prendre leurs précautions lorsqu'elles se trouvent à proximité d'une table de cuisson à induction allumée. Le champ électromagnétique peut affecter le fonctionnement du pacemaker ou de tout dispositif similaire. Consultez votre médecin ou le fabricant du pacemaker ou du dispositif médical pour obtenir des informations supplémentaires à propos de ses effets en présence de champs magnétiques émis par la table de cuisson à induction.

UTILISATION DE LA TABLE DE CUISSON

Ce manuel couvre différents modèles. La table de cuisson que vous avez achetée peut comporter toutes les caractéristiques énumérées ou seulement certaines d'entre elles.

Modèle JIC4430X de 30" (76,2 cm)

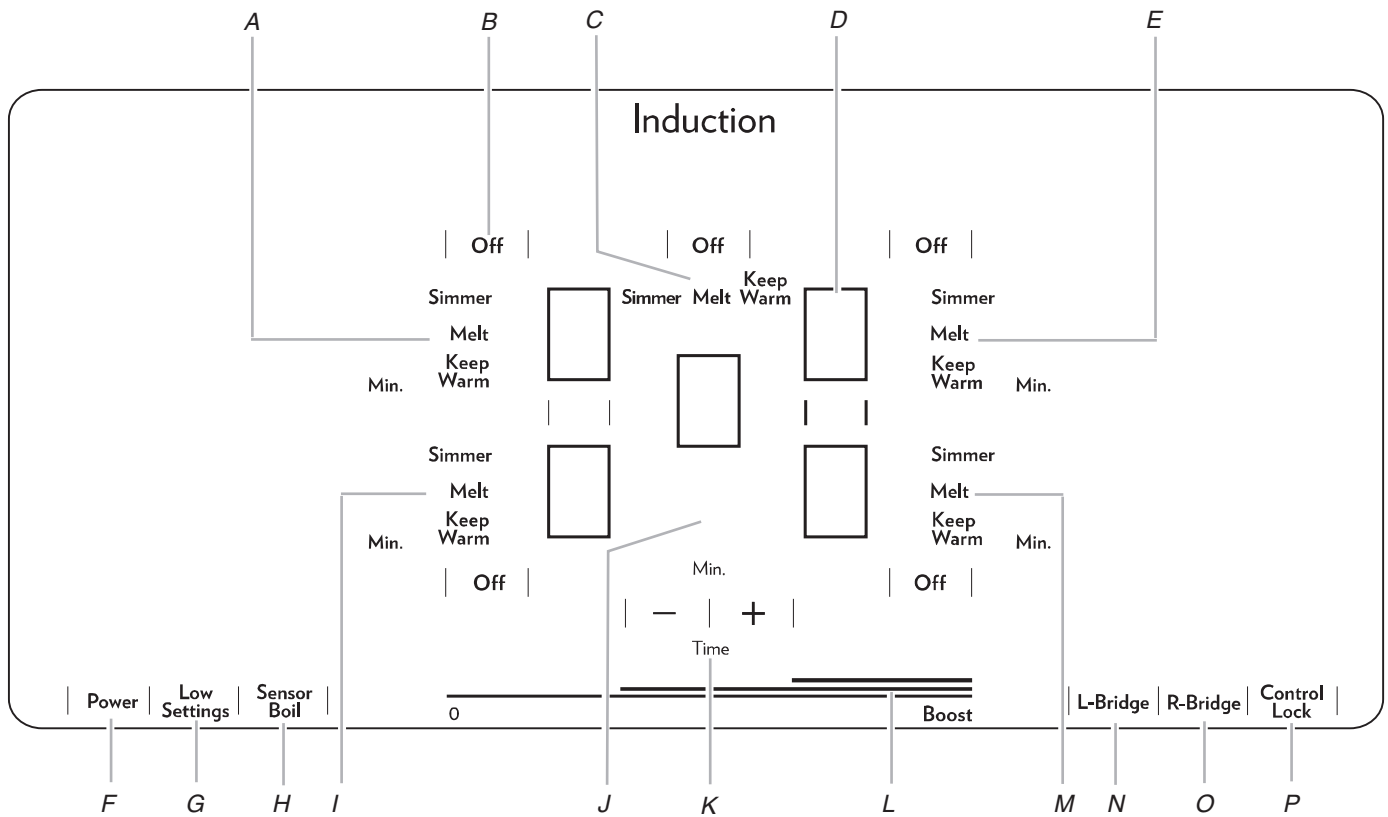


- A. Affichage de la surface de cuisson arrière gauche
- B. Arrêt surface de cuisson
- C. Affichage du niveau de chaleur
- D. Affichage de la surface de cuisson arrière droite
- E. Mise sous tension-Marche/Arrêt

- F. Réglages de chaleur réduite
- G. Ébullition avec capteur
- H. Affichage de la surface de cuisson avant gauche
- I. Affichage de la minuterie
- J. Minuterie (augmentation/diminution)

- K. Curseur du niveau de chaleur
- L. Affichage de la surface de cuisson avant droite
- M. Liaison de gauche
- N. Verrouillage des commandes

Modèle JIC4536X de 36" (91,4 cm)



A. Affichage de la surface de cuisson arrière gauche
 B. Arrêt surface de cuisson
 C. Affichage de la surface de cuisson centrale
 D. Affichage du niveau de chaleur
 E. Affichage de la surface de cuisson arrière droite
 F. Mise sous tension-Marche/Arrêt

G. Réglages de chaleur réduite
 H. Ébullition avec capteur
 I. Affichage de la surface de cuisson avant gauche
 J. Affichage de la minuterie
 K. Minuterie (augmentation/diminution)

L. Curseur du niveau de chaleur
 M. Affichage de la surface de cuisson avant droite
 N. Liaison de gauche
 O. Liaison de droite
 P. Verrouillage des commandes

Cuisson par induction

La cuisson par induction est très différente des formes de cuisson traditionnelles. La chaleur est générée directement dans l'ustensile de cuisson; la surface de cuisson demeure plus froide qu'un élément traditionnel.

Avec la cuisson par induction, il y a une moindre déperdition de chaleur qu'avec les formes de cuisson traditionnelles du fait que la chaleur est générée dans l'ustensile lui-même.

La table de cuisson chauffe ou se refroidit rapidement après le réglage des commandes. Elle cesse également de chauffer lorsqu'on retire l'ustensile sans avoir à éteindre l'appareil.

Les aliments renversés sur la surface de la table de cuisson ne brûlent pas car le verre n'est pas chauffé. La cuisson par induction permet un nettoyage immédiat après utilisation car la chaleur est générée dans l'ustensile.

La taille, le matériau (voir la section "Ustensiles de cuisson") et le positionnement du plat sont très importants pour atteindre une puissance maximale.

Le diamètre de la base du plat doit être identique à la taille de l'élément.

Si l'ustensile est trop petit, le brûleur ne le détecte pas et reste éteint.

Commandes de la table de cuisson

AVERTISSEMENT



Risque d'incendie

Fermer tous les réglages lorsque la cuisson est terminée.

Le non-respect de cette instruction peut causer un décès ou un incendie.

Les commandes électroniques tactiles offrent une grande variété de réglages de chaleur pour des résultats de cuisson optimaux. Lorsqu'on fait fondre des aliments comme du chocolat ou du beurre, la surface de cuisson peut être réglée sur la fonction Melt (faire fondre) pour une consommation minimale de l'énergie de cuisson.

Pour une puissance maximale de la zone de cuisson, toutes les commandes électroniques tactiles de la table de cuisson peuvent être réglées à la fonction Optimisation de rendement pour porter rapidement un liquide à ébullition. Appuyer sur BOOST (optimisation) pour atteindre immédiatement le réglage le plus élevé.

REMARQUE : Cette table de cuisson fonctionne également avec un courant de 208 volts lorsque l'installation ne fonctionne pas sur du 240 volts.

Première utilisation ou après une panne de courant :

Après avoir raccordé la table de cuisson à une source d'alimentation électrique ou après une panne de courant, le tableau de commande est verrouillé. Un témoin lumineux s'allume au-dessus de l'icône de clé. Pour déverrouiller le tableau de commande, appuyer sur CONTROL LOCK (verrouillage des commandes) pendant 3 secondes. Le témoin lumineux s'éteint et la table de cuisson est prête à être utilisée.

Utilisation

Pour allumer la table de cuisson :

1. Appuyer sur POWER (mise sous tension).

Le témoin lumineux situé au-dessus de la touche Power (mise sous tension) ainsi qu'un tiret ("-") pour chaque surface de cuisson s'allume pour indiquer que toutes les surfaces de cuisson sont prêtes à être activées.

Si l'on ne fait rien pendant la minute qui suit l'activation de l'alimentation principale, l'alimentation de la table de cuisson est automatiquement interrompue.

Si l'on touche une fonction de cuisson ou le curseur d'alimentation sans sélectionner de surface de cuisson au préalable, tous les tirets (un par zone) clignotent et un signal sonore d'action invalide retentit 3 fois.

Pour activer une surface de cuisson :

1. Toucher directement la zone d'affichage correspondant à la surface de cuisson que l'on souhaite utiliser.

Le niveau de puissance actuel et le témoin lumineux clignotent pendant 10 secondes, puis restent allumés.

Si l'on touche une autre caractéristique ou le curseur d'alimentation, le clignotement cesse. De plus, les informations concernant la touche qui a été touchée s'affichent.

Si l'on sélectionne une surface de cuisson, la minuterie s'allume également pour indiquer qu'elle peut maintenant être réglée.

Si une surface de cuisson reste au niveau de puissance "0" pendant 1 minute, la surface de cuisson s'éteint automatiquement et seul le tiret du milieu s'affiche, sans témoin lumineux.

2. Sélectionner un niveau de chaleur de 1 à 9 en touchant/ faisant glisser le curseur d'alimentation. Le réglage de chaleur apparaît sur l'afficheur de la surface de cuisson.

Le curseur d'alimentation présente 9 positions, ainsi qu'une position "Boost" (optimisation). Lorsque l'utilisateur fait glisser le curseur à 0, "0" s'affiche. La surface de cuisson ne s'allume pas mais reste active/sélectionnée.

Lorsqu'une surface de cuisson reste au niveau de puissance "0" pendant 1 minute, la zone s'éteint automatiquement et seul le tiret du milieu s'affiche, sans témoin lumineux.

Utiliser le tableau suivant comme guide lors du réglage des niveaux de chaleur.

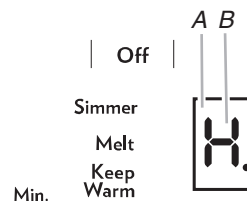
RÉGLAGE	UTILISATION RECOMMANDÉE
9 - Boost (optimisation)	■ Porter un liquide à ébullition.
9	■ Démarrer la cuisson des aliments.
7 - 8	■ Brunir ou saisir rapidement les aliments.
6 - 7	■ Maintenir une ébullition rapide.
5 - 6	■ Faire frire ou sauter les aliments. ■ Faire cuire les soupes et les sauces.
4 - 5	■ Maintenir une ébullition lente. ■ Faire mijoter ou étuver les aliments.
3 - 5	■ Différents niveaux de mijotage pour un mijotage avec ou sans couvercle.
Faire fondre	■ Faire fondre le chocolat ou le beurre.
Mijotage	■ Mijotage des sauces.
Maintien au chaud	■ Pour garder au chaud les aliments cuits.
Surface de cuisson double	■ Préparation de conserves à la maison. ■ Ustensile de cuisson à grand diamètre. ■ Grandes quantités de nourriture

Désactivation :

1. Appuyer sur ON/OFF (marche/arrêt) pour éteindre la surface de cuisson désirée. Un signal sonore retentit lorsqu'on appuie sur Off (arrêt).
2. Appuyer sur POWER (mise sous tension) pour éteindre la table de cuisson lorsqu'on a terminé.

Indicateur de surface chaude

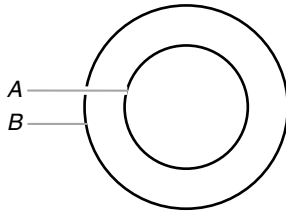
Un "H" apparaît sur l'afficheur du réglage de chaleur tant qu'une surface de cuisson est trop chaude pour être touchée, même une fois que la ou les surfaces sont éteintes.



A. Afficheur du réglage de chaleur
B. Témoin lumineux de surface chaude "H"

Surface de cuisson à dimension double (sur certains modèles)

La surface de cuisson à dimension double offre une flexibilité qui permet d'utiliser des ustensiles de cuisson de différentes tailles. La dimension simple peut être utilisée de la même manière qu'une surface de cuisson ordinaire. La dimension double combine les surfaces de cuisson interne et externe; elle est recommandée pour les ustensiles de cuisson de plus grande dimension, les grandes quantités d'aliments et pour la préparation de conserves à la maison.



A. Dimension simple
B. Dimension double

La surface de cuisson à dimension double comprend deux zones de cuisson.

Si la taille de l'ustensile est identique à celle de la surface de cuisson à dimension simple, la surface de cuisson fonctionne comme une surface de cuisson à dimension simple.

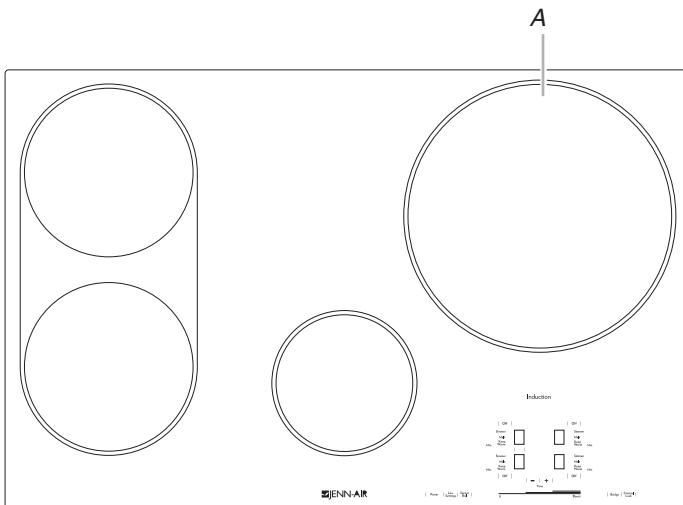
Si l'ustensile est légèrement plus grand que la zone de cuisson à dimension simple, il se peut que seule une partie de la zone de cuisson à dimension double s'allume. Le brûleur sera alors moins efficace et la durée de chauffage plus longue.

Si la taille de l'ustensile est identique à celle de la surface de cuisson à dimension double, la surface de cuisson à dimension double s'active automatiquement.

Ébullition avec capteur

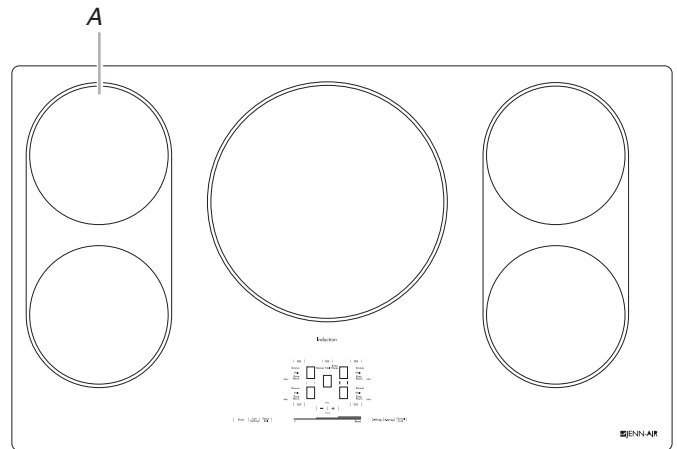
La fonction d'ébullition avec capteur sélectionne automatiquement le niveau de puissance idéal pour faire bouillir de l'eau et est muni d'un signal sonore pour prévenir l'utilisateur lorsque le point d'ébullition a été atteint. La fonction d'ébullition avec capteur n'est disponible que pour une seule surface de cuisson. Voir les illustrations suivantes pour déterminer quelle est la surface de cuisson équipée de la fonction d'ébullition avec capteur sur votre table de cuisson.

Modèle JIC4430X de 30" (76,2 cm)



A. Surface de cuisson avec fonction d'ébullition avec capteur disponible

Modèle JIC4536X de 36" (91,4 cm)



A. Surface de cuisson avec fonction d'ébullition avec capteur disponible

Lors de l'utilisation de la fonction d'ébullition avec capteur :

- Utiliser uniquement de l'eau à température ambiante.
- Ne pas ajouter de sel ou d'autres ingrédients à l'eau que l'on fait bouillir avant que le point d'ébullition ne soit atteint.
- Ne pas couvrir la casserole lorsqu'on utilise la fonction d'ébullition avec capteur.
- Ne pas utiliser la fonction d'ébullition avec capteur si la surface de cuisson est chaude. "H" apparaît sur l'affichage lorsque la surface de cuisson est chaude.
- Ne pas modifier le niveau de puissance ni déplacer la casserole.
- Remplir la casserole à au moins un tiers de sa capacité avec au moins 4 tasses (946 mL) d'eau, mais ne jamais remplir jusqu'au rebord du récipient. Ne pas utiliser la fonction d'ébullition avec capteur avec plus d'environ 5 ptes (5 L) pour les modèles de 36" (91,4 cm), ou 7 ptes (7 L) pour les modèles de 30" (76,2 cm).
- Pour de meilleurs résultats, utiliser des casseroles d'un diamètre compris entre 9½" (24 cm) et 11" (28 cm) pour les modèles de 30" (76,2 cm). Utiliser des casseroles d'un diamètre compris entre 6½" (17 cm) et 7½" (19 cm) pour les modèles de 36" (91,4 cm).
- Ne pas utiliser d'autocuiseurs.
- La qualité des ustensiles de cuisson utilisés peuvent affecter la performance de la fonction d'ébullition avec capteur.

Utilisation :

Activation :

1. Vérifier que la surface de cuisson avec la fonction d'ébullition disponible a été sélectionnée.
2. Placer la casserole sur la surface de cuisson sélectionnée pour une ébullition avec capteur.
3. Appuyer sur SENSOR BOIL. "A" apparaît sur l'affichage et le témoin lumineux situé à côté de Sensor Boil s'allume.

Lorsque le point d'ébullition a été atteint, le signal sonore de la table de cuisson retentit 3 fois de suite à intervalles réguliers. Après la deuxième série de signaux sonores, un compte à rebours commence automatiquement à décompter le temps d'ébullition, minute après minute. Après la troisième série de signaux sonores, la table de cuisson passe automatiquement à un niveau de puissance adapté pour maintenir l'ébullition.

Désactivation :

La fonction d'ébullition avec capteur peut être désactivée de 3 manières différentes :

1. Utiliser le curseur d'alimentation pour le régler à un niveau de chaleur.
OU
2. Toucher la touche OFF (arrêt) de la surface de cuisson.
OU
3. Sélectionner une autre fonction de cuisson.

REMARQUE : La table de cuisson gère automatiquement les fonctions d'ébullition avec capteur et d'optimisation du rendement. Dans certains cas, il est possible qu'elle ne puisse pas activer simultanément les fonctions d'ébullition avec capteur et d'optimisation du rendement.

Réglages de chaleur réduite

La fonction Réglages de chaleur réduite peut être utilisée pour toutes les surfaces de cuisson. La fonction Réglages de chaleur réduite peut être utilisée pour plus d'une surface de cuisson à la fois.

La fonction Réglages de chaleur réduite permet de sélectionner les fonctions Simmer (mijotage), Melt (faire fondre) ou Keep Warm (maintien au chaud) pour une surface de cuisson donnée.

Utilisation

Activation :

1. Vérifier que la surface de cuisson a été sélectionnée.
2. Appuyer sur LOW SETTINGS (réglages de chaleur réduite). "A" apparaît sur l'affichage correspondant à la surface de cuisson sélectionnée.
3. Appuyer sur LOW SETTINGS jusqu'à ce que le témoin lumineux situé à côté de la fonction souhaitée s'allume.
La minuterie reste visible et peut être réglée si désiré.

Désactivation :

La fonction Réglages de chaleur réduite peut être désactivée de 3 manières différentes :

1. Utiliser le curseur d'alimentation pour le régler à un niveau de chaleur.
OU
2. Toucher la touche OFF (arrêt) de la surface de cuisson.
OU
3. Sélectionner une autre fonction de cuisson.

Mijotage

La fonction de mijotage peut être utilisée pour toutes les surfaces de cuisson. La fonction de mijotage peut être utilisée pour plus d'une surface de cuisson à la fois.

Utilisation :

Activation :

1. Vérifier que la surface de cuisson a été sélectionnée.
2. Appuyer sur SIMMER (mijotage). "A" apparaît sur l'affichage et le témoin lumineux situé à côté de Simmer (mijotage) s'allume.
La minuterie reste visible et peut être réglée si désiré.

Désactivation :

Le mijotage peut être désactivé de 3 manières différentes :

1. Utiliser le curseur d'alimentation pour le régler à un niveau de chaleur.
OU
2. Toucher la touche OFF (arrêt) de la surface de cuisson.
OU
3. Sélectionner une autre fonction de cuisson.

Faire fondre

La fonction Melt + Hold (faire fondre et maintenir au chaud) peut être utilisée pour toutes les surfaces de cuisson. On peut utiliser Melt + Hold pour plus d'une surface de cuisson à la fois.

Utilisation

Activation :

1. Vérifier que la surface de cuisson a été sélectionnée.
2. Appuyer sur MELT + HOLD. "A" apparaît sur l'affichage et le témoin lumineux situé à côté de Melt + Hold s'allume.
La minuterie reste visible et peut être réglée si désiré.

Désactivation :

La fonction Melt + Hold peut être désactivée de 3 manières différentes :

1. Utiliser le curseur d'alimentation pour le régler à un niveau de chaleur.
OU
2. Toucher la touche OFF (arrêt) de la surface de cuisson.
OU
3. Sélectionner une autre fonction de cuisson.

Maintien au chaud

⚠ AVERTISSEMENT

Risque d'empoisonnement alimentaire

Ne pas laisser des aliments reposer plus d'une heure avant ou après la cuisson.

Le non-respect de cette instruction peut causer un empoisonnement alimentaire ou une maladie.

La fonction Keep Warm (maintien au chaud) peut être utilisée pour toutes les surfaces de cuisson. On peut utiliser Keep Warm pour plus d'une surface de cuisson à la fois. Keep Warm n'est pas recommandée pour faire chauffer des aliments froids.

Utilisation

Activation :

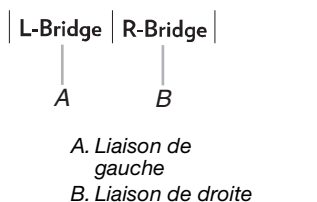
1. Vérifier que la surface de cuisson a été sélectionnée.
2. Appuyer sur KEEP WARM. "A" apparaît sur l'affichage et le témoin lumineux situé à côté de Keep Warm s'allume.
La minuterie reste visible et peut être réglée si désiré.

Désactivation :

Keep Warm peut être désactivé de 3 manières différentes :

1. Utiliser le curseur d'alimentation pour le régler à un niveau de chaleur.
OU
2. Toucher la touche OFF (arrêt) de la surface de cuisson.
OU
3. Sélectionner une autre fonction de cuisson.

Liaison (sur certains modèles)



La fonction de liaison peut être activée lorsque les surfaces de cuisson sont activées ou désactivées. La fonction de liaison permet d'utiliser 2 zones de cuisson comme zone de cuisson de très grande taille.

Activation d'une liaison :

1. Appuyer sur la touche de liaison souhaitée (liaison de gauche ou de droite).

Le témoin lumineux situé au-dessus de la touche de liaison s'allume. Les niveaux de réglage de chaleur pour les 2 surfaces de cuisson passent à "0" par défaut et peuvent être réglés à un minimum de "1" et un maximum de "9". Si une minuterie est activée pour les 2 surfaces de cuisson, celle-ci s'éteint et 2 tirets "--" apparaissent sur l'affichage de la minuterie.

2. Glisser un doigt sur le curseur de niveau de chaleur pour augmenter ou diminuer le niveau de chaleur.

Le niveau de chaleur sélectionné apparaît sur l'affichage de niveau de chaleur correspondant toutes les surfaces de cuisson qui utilisent la fonction de liaison.

Désactivation d'une liaison :

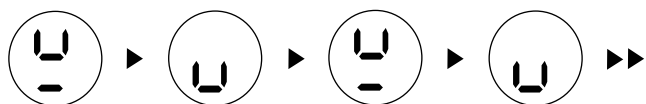
1. Appuyer sur la touche de liaison correspondant à la zone utilisée (liaison de gauche ou de droite).

Les surfaces de cuisson se remettent à fonctionner indépendamment l'une de l'autre.

REMARQUE : On ne peut pas utiliser la fonction d'optimisation du rendement sur les éléments pour lesquels la fonction de liaison a été activée.

Détection d'un plat

Si le système ne parvient pas à reconnaître le plat ou si le plat a été retiré de la surface de cuisson, l'animation "replace pan" (replacer plat) apparaît sur l'affichage de la zone de cuisson à titre de rappel. Voir l'illustration ci-dessous.



Si l'on ne place pas le plat dans les 30 secondes qui suivent, la/les zone(s) s'éteint/s'éteignent.

Si une minuterie est en cours d'utilisation lorsqu'on retire un plat, le compte à rebours continue.

Verrouillage des commandes

Le verrouillage des commandes empêche l'utilisation involontaire des surfaces de cuisson.

Si le verrouillage des commandes est activé lorsque l'alimentation électrique de la table de cuisson est interrompue, la table de cuisson est verrouillée et les surfaces de cuisson ne peuvent pas être allumées au moyen des commandes tactiles de la table de cuisson.

Si le verrouillage des commandes est activé alors que la table de cuisson est sous tension, toutes les touches sont verrouillées, à l'exception des touches Power et On/Off.

Pour verrouiller la table de cuisson :

Appuyer sur la touche CONTROL LOCK pendant 3 secondes. Après 3 secondes, un signal sonore retentit et le témoin lumineux situé au-dessus de la touche Control Lock s'allume, indiquant que les commandes de la table de cuisson sont en position de verrouillage.

Si la table de cuisson est en cours d'utilisation lorsqu'on active Control Lock, la cuisson se poursuit normalement et les minuteries réglées (le cas échéant) poursuivent leur compte à rebours.

Pour déverrouiller la table de cuisson :

Appuyer sur la touche CONTROL LOCK pendant 3 secondes.

Fonction d'optimisation du rendement

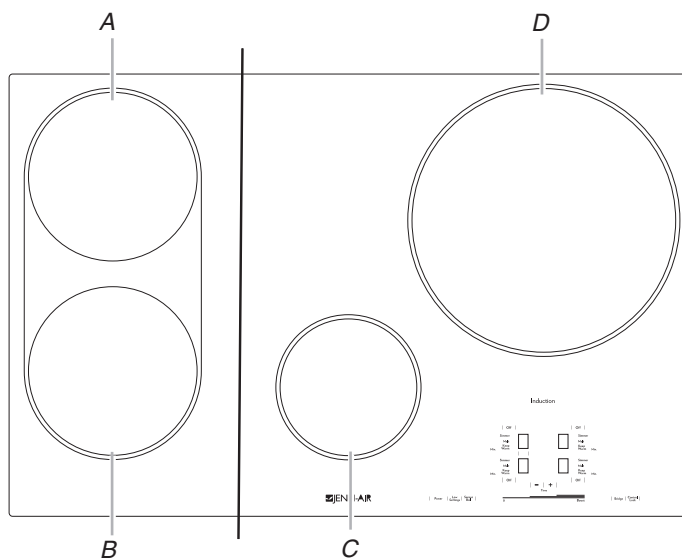
Cette fonction vous permet d'augmenter le niveau de chaleur au-delà du réglage de chaleur maximal 9 pendant 10 minutes ou moins.

REMARQUE : La fonction d'optimisation du rendement n'est pas disponible lorsque la fonction de liaison est activée.

Modèle JIC4430X de 30" (76,2 cm)

La fonction d'optimisation du rendement n'est disponible que sur une surface de cuisson à la fois pour une zone donnée.

Lorsqu'on essaie d'utiliser une autre surface de cuisson dans la même zone, "P" et "9" clignotent brièvement sur l'affichage avant de revenir au réglage de chaleur 9. La surface de cuisson qui avait été réglée à la fonction d'optimisation du rendement revient automatiquement au réglage de chaleur 9. Voir les illustrations suivantes pour la démarcation des différentes zones de cuisson.



Zone 1

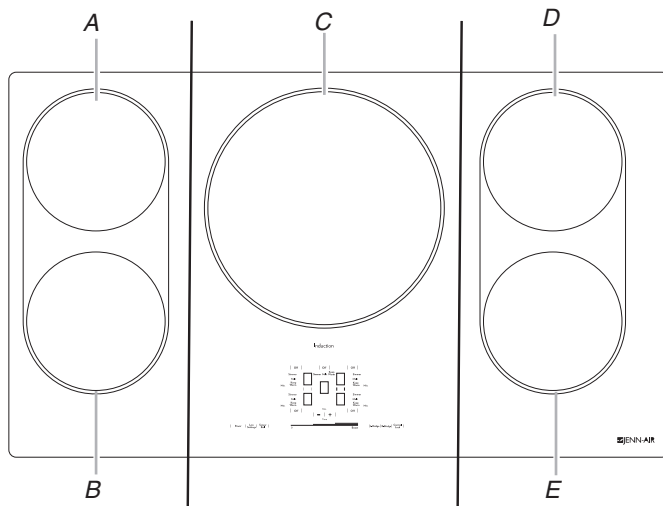
Zone 2

A. Surface de cuisson 1
B. Surface de cuisson 2

C. Surface de cuisson 3
D. Surface de cuisson 4

Modèle JIC4536X de 36" (91,4 cm)

La fonction d'optimisation du rendement est disponible sur toutes les surfaces de cuisson à la fois pour une zone donnée. Voir les illustrations suivantes pour déterminer la démarcation des différentes zones de cuisson.



Zone 1

A. Surface de cuisson 1
B. Surface de cuisson 2

Zone 2

C. Surface de cuisson 3, élément double avec optimisation du rendement 5000 W

Zone 3

D. Surface de cuisson 4
E. Surface de cuisson 5

Utilisation :

1. Vérifier qu'une surface de cuisson a été sélectionnée.
2. Appuyer sur BOOST. "P" apparaît sur l'afficheur.
3. Appuyer sur la touche BOOST une fois terminé. Le "P" n'est plus visible sur l'afficheur et la fonction d'optimisation du rendement est désactivée. La surface de cuisson revient au réglage de chaleur 9.

REMARQUE : La fonction d'optimisation du rendement peut se désactiver automatiquement pour protéger les composants électroniques internes de la table de cuisson en les empêchant ainsi de surchauffer.

Minuterie

Utiliser la minuterie de cuisson pour régler des durées jusqu'à 90 minutes. La minuterie est indépendante de tout autre réglage de commande. Il existe une minuterie distincte pour chaque zone de cuisson.

Utilisation :

1. Sélectionner la zone de cuisson souhaitée.
2. Appuyer sur la touche TIME (durée). "01" apparaît sur l'affichage de la minuterie.
3. Appuyer sur la touche ">" pour augmenter la durée par tranches d'une minute.
ou
Appuyer sur la touche "<" pour diminuer la durée par tranches d'une minute.
4. La minuterie lance le compte à rebours après quelques secondes.
Pour modifier la durée, appuyer sur la touche ">" ou "<".
5. Une fois le compte à rebours terminé, "00" clignote et un signal sonore retentit.

REMARQUE : Lorsque l'alimentation est rétablie après une panne de courant, la minuterie ne fonctionne plus.

Signaux sonores

Les signaux sonores indiquent ce qui suit :

Un seul signal sonore

- Appui sur une touche valide
- Le curseur a été déplacé au niveau de puissance "0"
- Le curseur a été déplacé au niveau de puissance "Boost"

Deux signaux sonores

- Appui sur une touche non valide

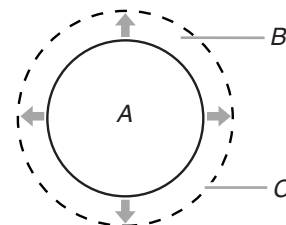
Trois signaux sonores

- Programme de fin de minuterie
- Le point d'ébullition a été atteint dans le cadre de l'utilisation de la fonction d'ébullition avec capteur

Vitrocéramique

Le fait de nettoyer la table de cuisson à induction avant et après chaque utilisation permettra d'éviter la présence de taches et d'assurer une meilleure répartition de la chaleur. Voir la section "Nettoyage général" pour plus de renseignements.

- Ne pas ranger de bocaux ou de boîtes de conserve au-dessus de la table de cuisson. La chute d'un objet lourd ou dur sur la table de cuisson pourrait la fêler.
- Afin d'éviter d'endommager la table de cuisson, ne pas laisser un couvercle chaud sur la table de cuisson. Lorsque la table de cuisson refroidit, de l'air peut s'accumuler entre le couvercle et la table de cuisson, et la vitrocéramique pourrait se casser lorsqu'on enlève le couvercle.
- Nettoyer dès que possible tous les renversements et toutes les saletés des aliments contenant du sucre sous n'importe quelle forme. Laisser la table de cuisson refroidir légèrement. Ensuite, tout en portant des mitaines de four, nettoyer tandis que la surface est encore tiède. Si on laisse le sucre refroidir sur la table de cuisson, il se peut que celui-ci adhère à la surface et entraîne de la corrosion et des marques permanentes.
- Afin d'éviter toute égratignure, ne pas faire glisser d'ustensiles de cuisson sur la table de cuisson.
- Afin d'éviter d'endommager la table de cuisson, ne pas laisser des objets qui pourraient fondre, comme du plastique ou du papier d'aluminium, toucher une partie quelconque de la table de cuisson.
- Afin d'éviter d'endommager la table de cuisson, ne pas l'utiliser en guise de planche à découper.
- Utiliser des ustensiles de cuisson environ de la même taille que la zone de cuisson. L'ustensile de cuisson ne doit pas dépasser de plus de 1/2" (1,3 cm) hors de la zone de cuisson.



A. Surface de la zone de cuisson
B. Ustensile de cuisson/autoclave
C. Dépassement maximal de 1/2" (1,3 cm)

- Utiliser des ustensiles de cuisson à fond plat pour une meilleure conduction de la chaleur et une meilleure utilisation de l'énergie. Les ustensiles de cuisson à fond incurvé, déformé, cannelé ou bosselé pourraient causer un chauffage inégal et des mauvais résultats de cuisson.
- Vérifier que le récipient est plat en plaçant le bord plat d'une règle en travers du fond du récipient. Lorsque l'on fait tourner la règle, aucun espace ni aucune lumière ne devrait être visible entre celle-ci et le récipient.
- S'assurer que les fonds des casseroles et poêles sont propres et secs avant de les utiliser. Les résidus et l'eau peuvent laisser des dépôts quand ils sont chauffés.

Ustensiles de cuisson

Seuls les ustensiles de cuisson ferromagnétiques peuvent être utilisés pour la cuisson par induction.

Les matériaux ferromagnétiques incluent :

- Acier émaillé
- Fonte
- Acier inoxydable conçu pour la cuisson par induction

Les matériaux non ferromagnétiques incluent :

Ces types d'ustensiles ne sont pas adaptés à la cuisson par induction.

- Acier inoxydable
- Verre
- Céramique
- Cuivre ou aluminium

Pour déterminer si vos ustensiles de cuisson peuvent être utilisés avec une table de cuisson par induction, retourner l'ustensile, tenir un aimant près du fond de l'ustensile et voir s'il y a une attraction. Si l'aimant adhère au fond du plat, le plat est ferromagnétique et peut être utilisé pour la cuisson par induction.

Le chiffre sur l'afficheur de réglage de chaleur de la surface de cuisson clignote si aucun ustensile n'est placé sur la surface de cuisson, ou si l'ustensile de cuisson n'a pas le matériau adapté, ou la taille appropriée. Il arrête de clignoter une fois qu'un ustensile de cuisson approprié est placé sur la surface de cuisson. À défaut d'avoir placé un ustensile approprié sur la surface de cuisson dans les 90 secondes, la surface de cuisson s'éteint.

Les ustensiles de cuisson idéals doivent avoir un fond plat, des parois droites, un couvercle qui ferme hermétiquement et le matériau doit être d'épaisseur moyenne à forte.

Choisir la taille d'ustensile appropriée pour chaque surface de cuisson. Le diamètre de la base de l'ustensile doit correspondre à la taille de la surface de cuisson.

REMARQUE : Les fabricants d'ustensiles de cuisson indiquent souvent le diamètre sur le dessus de l'ustensile. Il est souvent plus grand que le diamètre de la base.

Les ustensiles avec finis rugueux peuvent érafler la table de cuisson.

ENTRETIEN DE LA TABLE DE CUISSON

Nettoyage général

IMPORTANT : Avant le nettoyage, s'assurer que toutes les commandes sont désactivées et que la table de cuisson est refroidie. Toujours suivre les instructions sur les étiquettes des produits de nettoyage.

Du savon, de l'eau et un chiffon doux ou une éponge sont recommandés à moins d'indication contraire.

VITROCÉRAMIQUE

Pour éviter tout dommage, ne pas utiliser de laine d'acier, de poudre à récurer abrasive, d'agent de blanchiment au chlore, de produit de décapage de la rouille ou d'ammoniaque.

Méthode de nettoyage :

Toujours essuyer avec une éponge ou un linge propre mouillé et sécher à fond pour éviter les rayures et les taches.

Le nettoyant pour table de cuisson est recommandé pour une utilisation ordinaire afin éviter les égratignures, les piqûres et l'abrasion et pour entretenir la table de cuisson. Il peut être commandé comme accessoire. Voir la section "Assistance ou service" pour une commande.

Un grattoir pour table de cuisson est aussi recommandé pour les taches tenaces et peut être commandé comme accessoire. Voir la section "Assistance ou service" pour commander. Le grattoir pour table de cuisson utilise des lames de rasoir. Ranger les lames de rasoir hors de portée des enfants.

Souillure légère à modérée

- Essuie-tout ou éponge humide propre.
- Nettoyant pour table de cuisson et essuie-tout propre et humide :

Nettoyer dès que la table de cuisson a refroidi. Frotter la crème sur la surface avec un essuie-tout ou un linge doux humide. Continuer de frotter jusqu'à ce que la pellicule blanche disparaisse.

Renversements de matières sucrées (gelées, confiseries, sirop)

- Grattoir pour table de cuisson :
Nettoyer pendant que la table de cuisson est encore tiède. Vous devriez porter des mitaines de four pour ce nettoyage.

Souillure épaisse, rayures foncées, piqûres et décoloration

- Nettoyant pour table de cuisson ou produit de nettoyage non abrasif :

Frotter le produit sur la souillure avec un essuie-tout ou un linge doux humide. Continuer de frotter jusqu'à ce que la pellicule blanche disparaisse.

Souillure cuite

- Nettoyant et grattoir pour table de cuisson :
Frotter la crème sur la souillure avec un essuie-tout humide. Tenir le grattoir aussi à plat que possible sur la surface et gratter. Répéter pour les taches tenaces. Polir toute la table de cuisson avec la crème et un essuie-tout.

Petites éraflures et abrasions

- Nettoyant pour table de cuisson :
Frotter la crème sur la surface avec un essuie-tout ou un linge doux humide. Continuer de frotter jusqu'à ce que la pellicule blanche disparaisse. Les éraflures et les abrasions n'affectent pas le rendement et, après plusieurs nettoyages, elles deviendront moins apparentes.

DÉPANNAGE

Essayer d'abord les solutions suggérées ici afin d'éviter le coût d'une intervention de dépannage inutile.

Rien ne fonctionne

- **La table de cuisson est-elle correctement raccordée?** Voir les Instructions d'installation pour plus de renseignements.
- **Un fusible du domicile est-il grillé ou le disjoncteur s'est-il déclenché?** Remplacer le fusible ou réenclencher le disjoncteur. Si le problème persiste, appeler un électricien.

La table de cuisson ne fonctionne pas

- **La commande de la table de cuisson est-elle bien réglée?** Toucher la zone d'affichage sur le tableau de commande pour sélectionner une surface de cuisson avant de sélectionner une fonction.
- **Le verrouillage des commandes pour la table de cuisson a-t-il été réglé?** Voir la section "Verrouillage des commandes".
- **La table de cuisson s'est-elle mise hors tension toute seule?** La touche Power off (mise hors tension) a été enfoncée involontairement. Appuyer à nouveau sur la touche Power. Régler de nouveau la table de cuisson.

Chaleur excessive autour des ustensiles de cuisson sur la table de cuisson

- **La dimension de l'ustensile de cuisson est-elle appropriée?** Utiliser des ustensiles de cuisson environ de la même taille que la surface de cuisson. L'ustensile de cuisson ne doit pas dépasser de plus de ½" (1,3 cm) hors de la zone de cuisson.

Les résultats de cuisson ne sont pas les résultats prévus

- **Utilise-t-on un ustensile de cuisson approprié?** Voir la section "Ustensiles de cuisson".
- **La commande de la table de cuisson est-elle réglée au niveau approprié de chaleur?** Voir la section "Commandes de température de la table de cuisson".
- **La table de cuisson est-elle d'aplomb?** Nivelier la table de cuisson. Voir les instructions d'installation.

Des messages s'affichent

- **L'affichage clignote-t-il lorsqu'une casserole est placée sur une surface de cuisson à induction?** Vérifier que la casserole est bien électromagnétique. Vérifier que le diamètre de la casserole est assez grand. Centrer la casserole sur la surface de cuisson. Laisser la casserole refroidir si elle chauffe trop en cours d'utilisation. Éteindre la surface de cuisson puis la rallumer. Si l'afficheur ne s'allume toujours pas, éteindre l'alimentation au disjoncteur. Attendre 20 secondes et rétablir l'alimentation.

- **L'afficheur de la fonction d'optimisation de rendement clignote-t-il et s'éteint-il?** La fonction d'optimisation du rendement fait fonctionner la surface de cuisson à la puissance maximale. Pendant des périodes de cuisson longues, il est possible que la fonction désactive la surface de cuisson pour protéger la table de cuisson contre une surchauffe. Vous pouvez continuer à utiliser la table de cuisson si l'afficheur ne clignote pas.
- **"Er" ainsi que des chiffres clignent-t-ils sur l'afficheur?** Si "Er" et une série de chiffres apparaissent sur le tableau d'affichage, interrompre l'alimentation électrique au niveau du disjoncteur. Remettre en marche. Si le problème persiste, appeler le service clientèle. Voir la section "Assistance ou service".
- **"F" ou "C" ainsi que des chiffres clignent-t-ils sur l'affichage?** Si "F" ou "C" ainsi qu'un chiffre clignent en alternance sur l'affichage, consulter le tableau suivant pour trouver une éventuelle solution.

Code d'erreur	Erreur	Solution
La table de cuisson s'est éteinte et émet un signal sonore toutes les 10 sec.	Un objet, des liquides ou des saletés exercent une pression sur le tableau de commande.	Bien essuyer les touches ou retirer tout objet qui pourrait se trouver dessus.
F42, F43	La tension est trop faible ou trop élevée.	Éteindre la table de cuisson. Attendre 5 secondes puis la rallumer. Si le problème persiste, contacter un électricien qualifié.
C81, C82, C83	La surface de cuisson a surchauffé.	L'arrêt automatique de la surface de cuisson a été activé. Attendre 5 minutes pour qu'elle refroidisse et la rallumer. Éteindre le four si celui-ci fonctionne sur un programme d'autonettoyage.
F12, F21, F25, F36, F37, F40, F47, F56, F58, 560, F61, F62, F63, F64		Appeler le service clientèle. Voir la section "Assistance ou service".

Sons liés au fonctionnement de la table de cuisson

- **Y a-t-il un faible bourdonnement?** Ceci se produit en cas de cuisson à puissance élevée. Cela est dû à la quantité d'énergie transmise de l'appareil à l'ustensile de cuisson. Le bourdonnement faiblit ou cesse lorsque l'alimentation est interrompue.

- **Y a-t-il un bruit de crépitation?** Ce son survient lorsque l'ustensile de cuisson utilisé est composé de différents matériaux. Le bruit est causé par les vibrations dans les jointures entre les différentes couches. Le bruit peut varier selon la quantité et le type d'aliments cuits.

- **Y a-t-il un bruit de ventilateur?** Les composants électroniques nécessitent une température contrôlée pour pouvoir fonctionner correctement. La table de cuisson est équipée d'un ventilateur dont la vitesse de fonctionnement varie en fonction de la température détectée. Le ventilateur peut également continuer à fonctionner une fois que la table de cuisson a été éteinte si la température détectée est trop élevée.

ASSISTANCE OU SERVICE

Avant de faire un appel pour assistance ou service, veuillez vérifier la section "Dépannage". Cette vérification peut vous faire économiser le coût d'une visite de service. Si vous avez encore besoin d'aide, suivre les instructions ci-dessous.

Lors d'un appel, veuillez connaître la date d'achat et les numéros au complet du modèle et de la série de votre appareil. Ces renseignements nous aideront à mieux répondre à votre demande.

Au Canada

Si le problème n'est pas attribuable à l'une des raisons indiquées dans la section "Dépannage"...

Téléphonez au marchand qui vous a vendu l'appareil ou téléphonez à Jenn-Air en composant le **1-800-807-6777** pour localiser une compagnie de service autorisée. Lors d'un appel, veuillez connaître la date d'achat et les numéros de modèle et de série complets de votre appareil. Assurez-vous de conserver la preuve d'achat pour vérifier les conditions de la garantie.

Si le marchand ou la compagnie de service ne peut pas résoudre votre problème, écrivez à :

Jenn-Air Brand Home Appliances
Centre pour l'eXpérience avec la clientèle
200 - 6750 Century Ave.
Mississauga, ON L5N 0B7

Adresse Internet : www.jennair.ca

ou composez le **1-800-807-6777**.

REMARQUE : Pour toute correspondance ou appel au sujet d'un problème de service, veuillez inclure les renseignements suivants :

1. Vos nom, adresse et numéro de téléphone durant la journée.
2. Numéros de modèle et de série de l'appareil.
3. Nom et adresse de votre marchand ou du service d'entretien.
4. Une description claire du problème existant.
5. Preuve d'achat (reçu de vente).

Les guides de l'utilisateur, manuels d'entretien et informations sur les pièces sont disponibles auprès du Centre pour l'eXpérience avec la clientèle des appareils électroménagers de la marque Jenn-Air.

Accessoires

Ensemble adhésif du support de table de cuisson

(pour installations avec plan de travail en marbre uniquement)
Commander la pièce numéro W10310006

Nettoyant pour table de cuisson

(modèles avec vitrocéramique)
Commander la pièce n°31464

Protecteur de table de cuisson

(modèles avec vitrocéramique)
Commander la pièce n°31463

Grattoir pour table de cuisson

(modèles avec vitrocéramique)
Commander la pièce numéro WA906B

Nettoyant tout-usage pour appareils ménagers

Commander la pièce numéro 31662

GARANTIE DES APPAREILS DE CUISSON JENN-AIR®

GARANTIE LIMITÉE

Pendant un an à compter de la date d'achat, lorsque ce gros appareil ménager est utilisé et entretenu conformément aux instructions jointes à ou fournies avec le produit, Jenn-Air, marque de Whirlpool Corporation ou Whirlpool Canada LP (ci-après désignées "Jenn-Air") paiera pour les pièces spécifiées par l'usine et la main-d'œuvre pour corriger les vices de matériaux ou de fabrication. Le service doit être fourni par une compagnie de service désignée par Jenn-Air. Cette garantie limitée est valide uniquement aux États-Unis ou au Canada et s'applique exclusivement lorsque l'appareil est utilisé dans le pays où il a été acheté. À l'extérieur du Canada et des 50 États des États-Unis, cette garantie limitée ne s'applique pas. Une preuve de la date d'achat original est exigée pour obtenir un service dans le cadre de la présente garantie limitée.

GARANTIE LIMITÉE DE LA DEUXIÈME À LA CINQUIÈME ANNÉE INCLUSIVEMENT SUR CERTAINS COMPOSANTS

De la deuxième à la cinquième année inclusivement à compter de la date d'achat, lorsque cet appareil ménager est utilisé et entretenu conformément aux instructions jointes à ou fournies avec le produit, Jenn-Air paiera pour les pièces spécifiées par l'usine pour les composants suivants (si applicables au produit), en cas de vices de matériaux ou de fabrication :

- | | |
|---|---------------------------|
| ■ Élément électrique | ■ Commandes électroniques |
| ■ Clavier tactile et microprocesseur | ■ Tube magnétron |
| ■ Table de cuisson en vitrocéramique : en cas de bris d'origine thermique | ■ Brûleurs à gaz scellés |

ARTICLES EXCLUS DE LA GARANTIE

La présente garantie limitée ne couvre pas :

1. Les visites de service pour rectifier l'installation du gros appareil ménager, montrer à l'utilisateur comment utiliser l'appareil, remplacer ou réparer des fusibles ou rectifier le câblage ou la plomberie du domicile.
 2. Les visites de service pour réparer ou remplacer les ampoules électriques de l'appareil, les filtres à air ou les filtres à eau. Les pièces consommables ne sont pas couvertes par la garantie.
 3. Les réparations lorsque le gros appareil ménager est utilisé à des fins autres que l'usage unifamilial normal ou lorsque les instructions d'installation et/ou les instructions de l'opérateur ou de l'utilisateur fournies ne sont pas respectées.
 4. Les dommages imputables à : accident, modification, usage impropre ou abusif, incendie, inondation, actes de Dieu, installation fautive ou installation non conforme aux codes d'électricité ou de plomberie, ou l'utilisation de pièces consommables ou de produits nettoyants non approuvés par Jenn-Air.
 5. Les défauts apparents, notamment les éraflures, les bosses, fissures ou tout autre dommage au fini du gros appareil ménager, à moins que ces dommages soient dus à des vices de matériaux ou de fabrication et soient signalés à Jenn-Air dans les 30 jours suivant la date d'achat.
 6. Toute perte d'aliments due à une défaillance du réfrigérateur ou du congélateur.
 7. Les coûts associés au transport du gros appareil ménager du domicile pour réparation. Ce gros appareil ménager est conçu pour être réparé à domicile et seul le service à domicile est couvert par la présente garantie.
 8. Les réparations aux pièces ou systèmes résultant d'une modification non autorisée faite à l'appareil.
 9. Les frais de transport pour le service d'un produit si votre gros appareil est situé dans une région éloignée où un service d'entretien Jenn-Air autorisé n'est pas disponible.
 10. La dépose et la réinstallation de votre gros appareil si celui-ci est installé dans un endroit inaccessible ou n'est pas installé conformément aux instructions d'installation fournies.
 11. Les gros appareils ménagers dont les numéros de série et de modèle originaux ont été enlevés, modifiés ou qui ne peuvent pas être facilement identifiés. La présente garantie est nulle si le numéro de série d'usine a été modifié ou enlevé du gros appareil ménager.
- Le coût d'une réparation ou d'un remplacement dans le cadre de ces circonstances exclues est à la charge du client.

CLAUDE D'EXONÉRATION DE RESPONSABILITÉ AU TITRE DES GARANTIES IMPLICITES; LIMITATION DES RECOURS

LE SEUL ET EXCLUSIF RECOURS DU CLIENT DANS LE CADRE DE LA PRÉSENTE GARANTIE LIMITÉE CONSISTE EN LA RÉPARATION PRÉVUE CI-DESSUS. LES GARANTIES IMPLICITES, Y COMPRIS LES GARANTIES APPLICABLES DE QUALITÉ MARCHANDE ET D'APTITUDE À UN USAGE PARTICULIER, SONT LIMITÉES À UN AN OU À LA PLUS COURTE PÉRIODE AUTORISÉE PAR LA LOI. JENN-AIR N'ASSUME AUCUNE RESPONSABILITÉ POUR LES DOMMAGES FORTUITS OU INDIRECTS. CERTAINES JURIDICTIONS NE PERMETTENT PAS L'EXCLUSION OU LA LIMITATION DES DOMMAGES FORTUITS OU INDIRECTS, OU LES LIMITATIONS DE LA DURÉE DES GARANTIES IMPLICITES DE QUALITÉ MARCHANDE OU D'APTITUDE À UN USAGE PARTICULIER, DE SORTE QUE CES EXCLUSIONS OU LIMITATIONS PEUVENT NE PAS S'APPLIQUER DANS VOTRE CAS. CETTE GARANTIE VOUS CONFÈRE DES DROITS JURIDIQUES SPÉCIFIQUES ET VOUS POUVEZ ÉGALEMENT JOUIR D'AUTRES DROITS QUI PEUVENT VARIER D'UNE JURIDICTION À UNE AUTRE.

Si vous résidez à l'extérieur du Canada et des 50 États des États-Unis, contactez votre marchand Jenn-Air autorisé pour déterminer si une autre garantie s'applique.

Si vous avez besoin de service, voir d'abord la section "Dépannage" du Guide d'utilisation et d'entretien. Après avoir vérifié la section "Dépannage", de l'aide supplémentaire peut être trouvée en vérifiant la section "Assistance ou service" ou en appelant Jenn-Air. Aux É.-U., composer le **1-800-536-6247**. Au Canada, composer le **1-800-807-6777**.

6/09

Conservez ce manuel et votre reçu de vente ensemble pour référence ultérieure. Pour le service sous garantie, vous devez présenter un document prouvant la date d'achat ou d'installation.

Inscrivez les renseignements suivants au sujet de votre gros appareil ménager pour mieux vous aider à obtenir assistance ou service en cas de besoin. Vous devrez connaître le numéro de modèle et le numéro de série au complet. Vous trouverez ces renseignements sur la plaque signalétique située sur le produit.

Nom du marchand _____

Adresse _____

Numéro de téléphone _____

Numéro de modèle _____

Numéro de série _____

Date d'achat _____