

# 24" 30" AND 36" ELECTRIC INDUCTION COOKTOP OWNER'S MANUAL

## MANUEL D'UTILISATION DES TABLES DE CUISSON ÉLECTRIQUES À INDUCTION DE 24 PO, 30 PO ET 36 PO

---

### Table of Contents/Table des matières

<b>COOKTOP SAFETY</b> .....	2	<b>SÉCURITÉ DE LA TABLE DE CUISSON</b> .....	13
Cooktop Safety.....	2	Sécurité de la table de cuisson.....	13
Internet Connectivity Guide for Connected Appliances Only ....	4	Guide de connexion Internet pour les appareils connectés uniquement .....	16
<b>COOKTOP MAINTENANCE AND CARE</b> .....	5	<b>ENTRETIEN ET RÉPARATION DE LA TABLE DE CUISSON</b> .....	17
General Cleaning.....	5	Nettoyage général.....	17
<b>INSTALLATION REQUIREMENTS</b> .....	5	<b>EXIGENCES D'INSTALLATION</b> .....	17
Tools and Parts .....	5	Outils et pièces.....	17
Location Requirements .....	5	Exigences d'emplacement .....	17
Electrical Requirements .....	8	Spécifications électriques .....	20
<b>INSTALLATION INSTRUCTIONS</b> .....	8	<b>INSTRUCTIONS D'INSTALLATION</b> .....	20
Prepare Location .....	8	Préparation de l'emplacement .....	20
Install Brackets.....	8	Installation des supports .....	21
Install Cooktop .....	10	Installation de la table de cuisson .....	22
Make Electrical Connection.....	11	Raccordement électrique.....	23
Complete Installation .....	12	Achever l'installation.....	25



**IMPORTANT:**

Save for local electrical inspector's use.

**IMPORTANT:**

Conserver ces instructions à l'usage de l'inspecteur des installations électriques local.

# COOKTOP SAFETY

## Your safety and the safety of others are very important.

We have provided many important safety messages in this manual and on your appliance. Always read and obey all safety messages.



This is the safety alert symbol.

This symbol alerts you to potential hazards that can kill or hurt you and others.

All safety messages will follow the safety alert symbol and either the word "DANGER" or "WARNING." These words mean:

**⚠ DANGER**

**You can be killed or seriously injured if you don't immediately follow instructions.**

**⚠ WARNING**

**You can be killed or seriously injured if you don't follow instructions.**

All safety messages will tell you what the potential hazard is, tell you how to reduce the chance of injury, and tell you what can happen if the instructions are not followed.

## IMPORTANT SAFETY INSTRUCTIONS

**WARNING:** TO REDUCE THE RISK OF FIRE, ELECTRIC SHOCK, OR INJURY TO PERSONS, OBSERVE THE FOLLOWING:

- Use this unit only in the manner intended by the manufacturer. If you have questions, contact the manufacturer.
- **WARNING:** Danger of fire: Do not store items on the cooking surfaces. Never leave anything on the surface when unattended and not in use. Never place flammable or plastic items on or near the surface.
- Before servicing or cleaning the unit, switch power off at service panel and lock the service disconnecting means to prevent power from being switched on accidentally. When the service disconnecting means cannot be locked, securely fasten a prominent warning device, such as a tag, to the service panel.
- Installation work and electrical wiring must be done by qualified person(s) in accordance with all applicable codes and standards, including fire-rated construction.
- Do not operate any fan with a damaged cord or plug. Discard fan or return to an authorized service facility for examination and/or repair.
- Sufficient air is needed for proper combustion and exhausting of gases through the flue (chimney) of fuel burning equipment to prevent backdrafting. Follow the heating equipment manufacturer's guideline and safety standards such as those published by the National Fire Protection Association (NFPA), the American Society for Heating, Refrigeration and Air Conditioning Engineers (ASHRAE), and the local code authorities.
- When cutting or drilling into wall or ceiling, do not damage electrical wiring and other hidden utilities.
- Ducted fans must always be vented outdoors.

**CAUTION:** For general ventilating use only. Do not use to exhaust hazardous or explosive materials and vapors.

**CAUTION:** To reduce risk of fire and to properly exhaust air, be sure to duct air outside - do not vent exhaust air into spaces within walls or ceilings, attics or into crawl spaces, or garages.

**WARNING:** TO REDUCE THE RISK OF FIRE, USE ONLY METAL DUCTWORK.

**WARNING:** TO REDUCE THE RISK OF A COOKTOP TOP GREASE FIRE:

- Never Leave Surface Units Unattended at Higher Heat Settings - Cooking oils and animal fats are flammable, boilover may cause smoking, and greasy spillovers may ignite.
- Always turn hood ON when cooking at high heat or when flambeing food (i.e. Crepes Suzette, Cherries Jubilee, Peppercorn Beef Flambé).
- Clean ventilating fans frequently. Grease should not be allowed to accumulate on fan or filter.
- Use proper pan size. Always use cookware appropriate for the size of the surface element.

**WARNING:** TO REDUCE THE RISK OF INJURY TO PERSONS IN THE EVENT OF A COOKTOP TOP GREASE FIRE, OBSERVE THE FOLLOWING:

- SMOTHER FLAMES with a close fitting lid, cookie sheet, or metal tray, then turn off the burner. BE CAREFUL TO PREVENT BURNS. If the flames do not go out immediately, EVACUATE AND CALL THE FIRE DEPARTMENT.
- NEVER PICK UP A FLAMING PAN - you may be burned.
- DO NOT USE WATER, including wet dishcloths or towels - a violent steam explosion will result.
- Use an extinguisher ONLY if:
  - You know you have a class ABC extinguisher, and you already know how to operate it.
  - The fire is small and contained in the area where it started.
  - The fire department is being called.
  - You can fight the fire with your back to an exit.

Based on "Kitchen Fire Safety Tips" published by NFPA.

**WARNING:** To reduce the risk of fire or electrical shock, do not use this fan with any solid-state speed control device.

- Do Not Leave Children Alone – Children should not be left alone or unattended in area where appliance is in use. They should never be allowed to sit or stand on any part of the appliance.
  - Wear Proper Apparel – Loose-fitting or hanging garments should never be worn while using the appliance.
  - User Servicing – Do not repair or replace any part of the appliance unless specifically recommended in the manual. All other servicing should be referred to a qualified technician.
  - Use Only Dry Potholders – Moist or damp potholders on hot surfaces may result in burns from steam. Do not let potholder touch hot heating elements. Do not use a towel or other bulky cloth.
  - Utensil Handles Should Be Turned Inward and Not Extend Over Adjacent Surface Units – To reduce the risk of burns, ignition of flammable materials, and spillage due to unintentional contact with the utensil, the handle of a utensil should be positioned so that it is turned inward, and does not extend over adjacent surface units.
  - Do Not Cook on Broken Cook-Top – If cook-top should break, cleaning solutions and spillovers may penetrate the broken cook-top and create a risk of electric shock. Contact a qualified technician immediately.
  - Do not place metallic objects such as knives, forks, spoons and lids on the cooktop surface since they can get hot.
- CAUTION:** Do not store items of interest to children in cabinets above a cooktop – children climbing on the cooktop to reach items could be seriously injured.
- DO NOT TOUCH SURFACE UNITS OR AREAS NEAR UNITS – Surface units may be hot even though they are dark in color. Areas near surface units may become hot enough to cause burns. During and after use, do not touch, or let clothing or other flammable materials contact surface units or areas near units until they have had sufficient time to cool. Among these areas are (identification of areas – for example, the cook-top and surfaces facing the cook-top).

## SAVE THESE INSTRUCTIONS

# Internet Connectivity Guide for Connected Appliances Only

**IMPORTANT:** Proper installation of your appliance prior to use is your responsibility. Be sure to read and follow the installation instructions that came with your appliance.

Connectivity requires Wi-Fi and account creation. App features and functionality are subject to change. Data rates may apply. Once installed, launch the app. You will be guided through the steps to set up a user account and to connect your appliance.

## You Will Need:

- A home wireless router supporting Wi-Fi, 2.4 Ghz with WPA2 security. If you are unsure of your router's capabilities, refer to the router manufacturer's instructions.
- The router to be on and have a live internet connection.

## Federal Communications Commission (FCC) Compliance Notice

This device complies with Part 15 of the FCC Rules. Operation is subject to the following two conditions:

1. This device may not cause harmful interference, and
2. This device must accept any interference received, including interference that may cause undesired operation.

Changes or modifications not expressly approved by the party responsible for compliance could void the user's authority to operate the equipment.

## Industry Canada (IC) Compliance Notice

This Device complies with Industry Canada License-exempt RSS standard(s). Operation is subject to the following two conditions:

1. This device may not cause interference.
2. This device must accept any interference, including interference that may cause undesired operation of the device.

Under Industry Canada regulations, this radio transmitter may only operate using an antenna of a type and maximum (or lesser) gain approved for the transmitter by Industry Canada. To reduce potential radio interference to other users, the antenna type and its gain should be so chosen that the equivalent isotropically radiated power (e.i.r.p.) is not more than that necessary for successful communication.

To comply with FCC and Industry Canada RF radiation exposure limits for general population, antenna(s) used for this transmitter must be installed such that a minimum separation distance of 20 cm is maintained between the radiator (antenna) and all persons at all times and must not be co-located or operating in conjunction with any other antenna or transmitter.

If this equipment does cause harmful interference to radio or television reception, which can be determined by turning the equipment off and on, the user is encouraged to try to correct the interference by one of the following measures:

- Reorient or relocate the receiving antenna.
- Increase the separation between the equipment and receiver.
- Connect the equipment into an outlet on a circuit different from that to which the receiver is connected.
- Consult the dealer or an experienced radio/TV technician for help.

This device complies with Part 18 of the FCC Rules.  
This device complies with Industry Canada ICES-001.

This induction cooktop generates and uses ISM frequency energy that heats cookware by using an electromagnetic field. It has been tested and complies with Part 18 of the FCC Rules for ISM equipment. This induction cooktop meets the FCC requirements to minimize interference with other devices in residential installation.

This induction cooktop may cause interference with television or radio reception. If interference occurs, the user should try to correct the interference by:

- Relocating the receiving antenna of the radio or television.
- Increasing the distance between the cooktop and the receiver.
- Connecting the receiver into a different outlet.

It is the user's responsibility to correct any interference.

**NOTE:** People with a pacemaker or similar medical device should use care when standing near this induction cooktop while it is on. The electromagnetic field may affect the pacemaker or similar device. Consult your doctor, or the manufacturer of the pacemaker or similar medical device for additional information about its effects with electromagnetic fields of the induction cooktop.

# COOKTOP MAINTENANCE AND CARE

## General Cleaning

**IMPORTANT:** Before cleaning, make sure all controls are off and the cooktop is cool.

You can use soap, water and a soft cloth or sponge.

To avoid damaging the cooktop, do not use steel wool, abrasive powder cleansers, chlorine bleach, rust remover or ammonia. Do not use a steam cleaner.

For best results, turn on Key Lock to prevent the control panel from turning on while cleaning.

### CERAMIC GLASS

You can also use a cooktop scraper. Proceed as follows:

1. Hold the cooktop scraper at approximately a 45° angle against the glass surface and scrape the residue. It will be necessary to apply pressure in order to remove the residue.
2. Apply a few drops of soap and water to the affected areas.
3. Polish with a clean and dry cloth

Repeat steps 1 through 3 as necessary for stubborn or burned-on stains

### STAINLESS STEEL (on some models)

**NOTE:** To avoid damage to stainless steel surfaces, do not use soap filled scouring pads, abrasive cleaners, steelwool pads, gritty washcloths, or abrasive paper towels.

Rub in the direction of the grain to avoid damaging.

### Cleaning Method:

1. All purpose cleaner: Rinse with clean water and dry with soft, lint-free cloth.
2. Vinegar for hard water spots.

## INSTALLATION REQUIREMENTS

### Tools and Parts

Gather the required tools and parts before starting installation. Read and follow the instructions provided with any tools listed here.

#### Tools Needed

- Tape measure
- Flat-blade screwdriver
- Phillips head screwdriver
- Hand or electric drill
- Level
- Marker or pencil
- Pliers
- 1/4" drill bit
- Jigsaw

#### Parts Supplied

- Brackets (2)
- #6 x 3/4" (1.9 cm) clamping screws (4)
- #8 x 3/8" (9.5 mm) sheet metal screws (7 screws for 24", 30" and 36" models)

#### Parts needed

- A UL listed or CSA approved strain relief
- UL listed wire connectors
- A UL approved junction box or 240 V outlet
- Cooktop Bracket Adhesive Kit Part Number W11279478 if installing the cooktop into a marble countertop. See the "Assistance or Service" section of the Quick Start Guide for information on ordering.

Check local codes. Check existing electrical supply. See "Electrical Requirements".

It is recommended that all electrical connections be made by a licensed, qualified electrical installer.

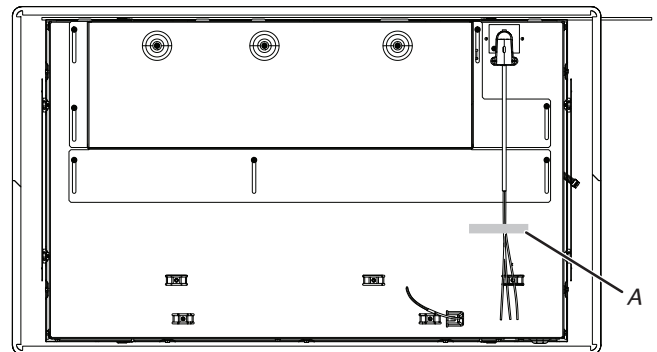
## Location Requirements

Make sure you have everything needed for correct installation. It is the responsibility of the installer to comply with the installation clearances specified in these instructions.

**IMPORTANT:** Observe all governing codes and ordinances. When installing cooktop, use minimum dimensions given.

- To eliminate the risk of burns or fire by reaching over the heated surface units, cabinet storage space located above the surface units should be avoided. If cabinet storage is to be provided, the risk can be reduced by installing a range hood that projects horizontally a minimum of 5" (12.7 cm) beyond the bottom of the cabinets.
- It is the installer's responsibility to comply with installation clearances specified on the model/serial/rating plate. The model/serial/rating plate is located on the underside of the cooktop burner box.

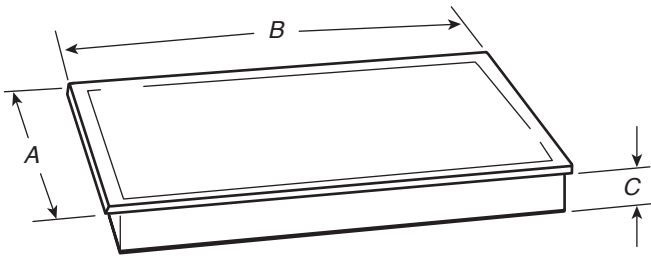
### 24", 30", 36" cooktop model/serial/rating plate location



A. Model/serial/rating plate

- Check the cooktop base for an approved installation label. Verify approved oven model numbers that can be installed with your cooktop model number. If you do not find this label, your cooktop may not be approved for use over an undercounter built-in oven. Contact your dealer to confirm that your cooktop is approved.
- Ovens approved for this type of installation will have an approval label located on the top of the oven. If you do not find this label, contact your dealer to confirm that your oven is approved. Refer to oven manufacturer's Installation Instructions for approval for built-in undercounter use and proper cutout dimensions.
- When installing cooktop over an undercounter built-in oven, do not fasten cooktop to countertop with clamps or seal cooktop to countertop. This will make the cooktop easier to remove if future servicing becomes necessary.
- Use the countertop opening dimensions that are given with these Installation Instructions. Given dimensions are minimum clearances and provide 0" (0 cm) clearance.
- Grounded electrical supply is required. See "Electrical Requirements" section.

## Product Dimensions



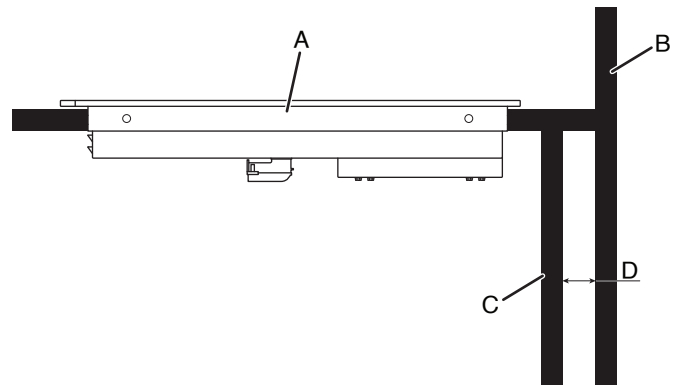
Model	A	B	C
24"	21 <sup>5</sup> / <sub>16</sub> " (54.1 cm)	25 <sup>5</sup> / <sub>8</sub> " (65 cm)	3 <sup>3</sup> / <sub>4</sub> " (9.5 cm)
30"	21 <sup>5</sup> / <sub>16</sub> " (54.1 cm)	30 <sup>13</sup> / <sub>16</sub> " (78.2 cm)	3 <sup>3</sup> / <sub>4</sub> " (9.5 cm)
36"	21 <sup>5</sup> / <sub>16</sub> " (54.1 cm)	36 <sup>5</sup> / <sub>16</sub> " (92.2 cm)	3 <sup>3</sup> / <sub>4</sub> " (9.5 cm)

### With frame:

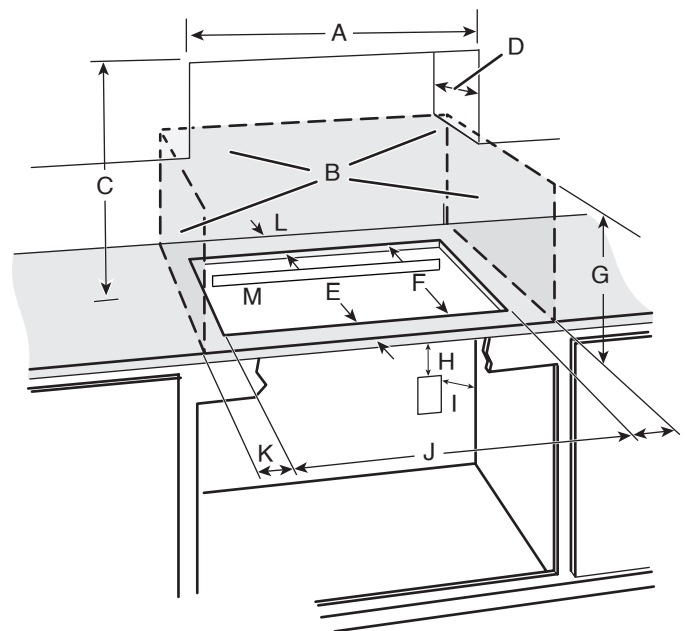
	A	B	C
30"	22 <sup>5</sup> / <sub>16</sub> " (56.7 cm)	31 <sup>13</sup> / <sub>16</sub> " (80.8 cm)	3 <sup>5</sup> / <sub>8</sub> " (9.14 cm)
36"	22 <sup>5</sup> / <sub>16</sub> " (56.7 cm)	37 <sup>5</sup> / <sub>16</sub> " (94.8 cm)	3 <sup>5</sup> / <sub>8</sub> " (9.14 cm)

## Cabinet Dimensions

**IMPORTANT:** If installing a range hood or microwave hood combination above the range, follow the range hood or microwave hood combination installation instructions for dimensional clearances above the cooktop surface.

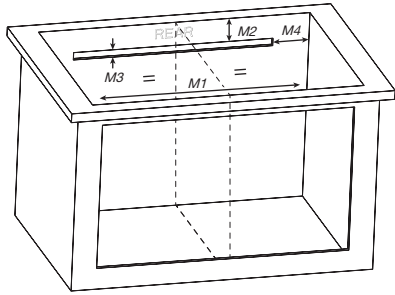


- A. Cooktop
- B. Rear wall
- C. Cabinet back
- D. 13/16" (2 cm) minimum clearance between house wall and cabinet back



- A. 24" on 24" models, 30" on 30" models, 36" on 36" models
- B. Combustible area above countertop (shown by dashed box above)
- C. 30" minimum clearance between top of cooktop platform and bottom of uncovered wood or metal cabinet (24" [61 cm] minimum clearance if bottom of wood or metal cabinet is covered by not less than 1/4" [6.4 mm] flame retardant millboard covered with not less than No. 28 MSG sheet steel, 0.015" [0.4 mm] stainless steel, or 0.024" [0.6 mm] aluminum or 0.020" [0.5 mm] copper)
- D. 13" (33.0 cm) recommended upper cabinet depth
- E. 2" (5.1 cm)
- F. For details see the Table 1
- G. 18" (45.7 cm) minimum clearance from upper cabinet to countertop within minimum horizontal clearances to cooktop
- H. Junction box or outlet; 12" (30.5 cm) minimum from bottom of countertop
- I. Junction box or outlet; 10" (25.4 cm) from right-hand side of cabinet
- J. For details see the Table 1

- K. 1" (2.5 cm) minimum distance to nearest left and right side combustible surface above cooktop
- L. 1" (2.5 cm) minimum clearance between back wall and countertop
- M. **IMPORTANT:** For proper ventilation, provide a vent cut out in the back of the cabinet per the following illustration. For standard and flush installation make sure the cut out and its cut out for ventilation have their center line aligned.



Model	M1	M2	M2 (Flush)	M3	M4
24"	13 <sup>11</sup> / <sub>16</sub> " (34.7 cm)	2 <sup>11</sup> / <sub>16</sub> " (6.8 cm)	2 <sup>15</sup> / <sub>16</sub> " (7.4 cm)	13/16" (2.1 cm)	17/16" (3.6 cm)
30"	13 <sup>11</sup> / <sub>16</sub> " (34.7 cm)	2 <sup>11</sup> / <sub>16</sub> " (6.8 cm)	2 <sup>15</sup> / <sub>16</sub> " (7.4 cm)	13/16" (2.1 cm)	8 <sup>1</sup> / <sub>8</sub> " (20.7 cm)
36"	23 <sup>3</sup> / <sub>8</sub> " (59.4 cm)	2 <sup>11</sup> / <sub>16</sub> " (6.8 cm)	2 <sup>15</sup> / <sub>16</sub> " (7.4 cm)	13/16" (2.1 cm)	3 <sup>3</sup> / <sub>16</sub> " (8.1 cm)

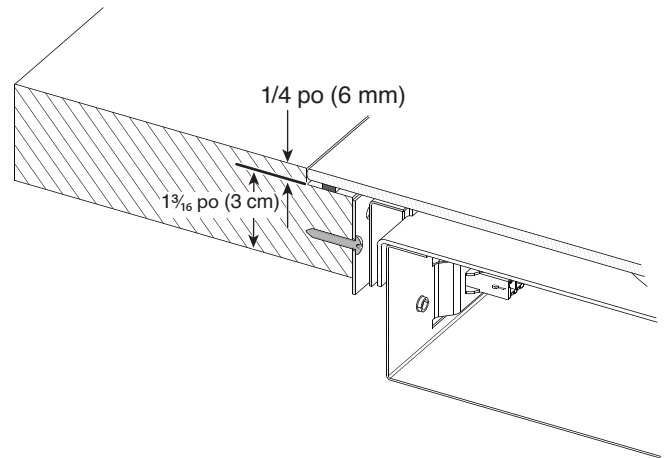
**Table 1**

CUT OUT			
Dimension	24"	30"	36"
F	20 <sup>7</sup> / <sub>16</sub> " (51.9 cm)	19 <sup>5</sup> / <sub>8</sub> " (49.8 cm)	20 <sup>7</sup> / <sub>16</sub> " (51.9 cm)
J	21 <sup>13</sup> / <sub>16</sub> " (55.4 cm)	28 <sup>1</sup> / <sub>2</sub> " (72.4 cm)	33 <sup>1</sup> / <sub>16</sub> " (84 cm)

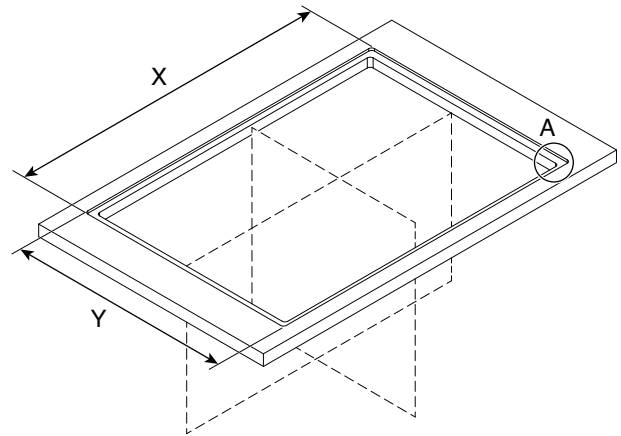
**NOTE:** After you make the countertop cutout, some installations may require notching down the base cabinet side walls to clear the cooktop base. To avoid this modification, use a base cabinet with sidewalls wider than the cutout.

If cabinet has a drawer, a 5<sup>1</sup>/<sub>8</sub>" (13 cm) depth clearance from the countertop to the top of the drawer (or other obstruction) in base cabinet is required.

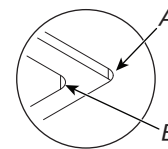
**Flush Installation — Frameless**



Model	X	Y
24"	25 <sup>13</sup> / <sub>16</sub> " (65.5 cm)	21 <sup>7</sup> / <sub>16</sub> " (54.5 cm)
30"	31" (78.7 cm)	21 <sup>7</sup> / <sub>16</sub> " (54.5 cm)
36"	36 <sup>1</sup> / <sub>2</sub> " (92.7 cm)	21 <sup>7</sup> / <sub>16</sub> " (54.5 cm)



**Detail A**



A. R14.7 ± 0.5 - For 24",  
R5.5 ± 0.5 - For 30" and 36"


B. R5.5 ± 0.5

Glass Radius 30" and 36" (models) - 2 mm

Glass Radius 24" (models) - 12.7 mm

# Electrical Requirements

⚠ WARNING



Electrical Shock Hazard

**Disconnect power before servicing.**

**Use 8 gauge copper wire.**

**Electrically ground cooktop.**

**Failure to follow these instructions can result in death, fire, or electrical shock.**

If codes permit and a separate ground wire is used, it is recommended that a qualified electrical installer determine that the ground path and wire gauge are in accordance with local codes.

Check with a qualified electrical installer if you are not sure the cooktop is properly grounded.

It is not recommended to have a fuse in the neutral or ground circuit.

Make sure that the electrical connection and wire size are adequate and in conformance with the National Electrical Code, ANSI/NFPA 70-latest edition or CSA Standards C22.1-94, Canadian Electrical Code, Part 1 and C22.2 No.O-M91-latest edition, and all local codes and ordinances.

A copy of the above code standards can be obtained from:

National Fire Protection Association  
1 Batterymarch Park  
Quincy, MA 02169-7471

CSA International  
8501 East Pleasant Valley Road  
Cleveland, OH 44131-5575

### Before You Make the Electrical Connection:

To properly install your cooktop, you must determine the type of electrical connection you will be using and follow the instructions provided for it here.

- A 4-wire or 3-wire, single phase, electrical supply is required on a separate circuit as indicated by the tables below, fused on both sides of the line.

#### 240 V, 60 Hz, AC only electrical supply:

Cooktop Configuration	Circuit
4 Cooking Zones	40 A
5 Cooking Zones	50 A

#### 208 V, 60 Hz, AC only electrical supply:

Cooktop Configuration	Circuit
4 Cooking Zones	40 A
5 Cooking Zones	60 A

- The cooktop should be connected directly to the junction box through flexible, armored or nonmetallic sheathed, copper cable. The flexible, armored cable extending from the fuse box or circuit breaker box should be connected directly to the junction box.

- Locate the junction box to allow as much slack as possible between the junction box and the cooktop so that the cooktop can be moved if servicing becomes necessary in the future.
- Do not cut the conduit. The length of conduit provided is for serviceability of the cooktop.
- A UL listed or CSA approved conduit connector must be provided at each end of the power supply cable (at the cooktop and at the junction box). A listed conduit connector is already provided at the cooktop.
- If the house has aluminum wiring, follow the procedure below:  
Connect the aluminum wiring using special connectors and/or tools designed and UL listed for joining copper to aluminum.

Follow the electrical connector manufacturer's recommended procedure. Aluminum/copper connection must conform with local codes and industry accepted wiring practices.

## INSTALLATION INSTRUCTIONS

### Prepare Location

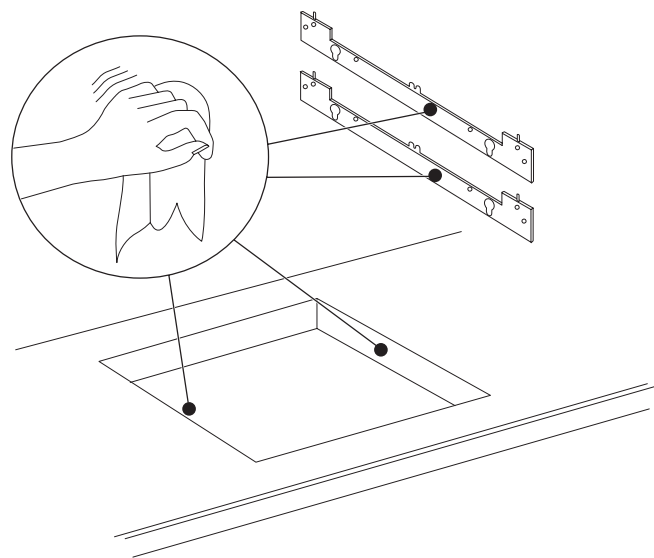
1. Decide on the final location for the cooktop.  
**NOTE:** Countertop must be 1 $\frac{3}{16}$ " (3.0 cm) to 2" (5.1 cm) thick.
2. If necessary, make cutout in countertop before installing cooktop. See "Location Requirements" section for more information.
3. Clean cutout of any remaining dust and debris.

### Install Brackets

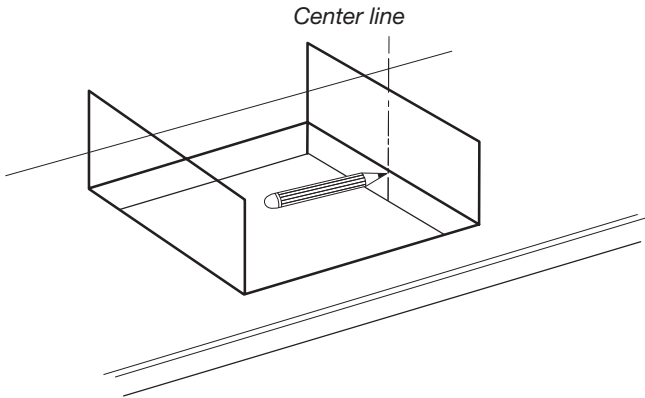
**NOTE:** Cooktop Bracket Adhesive Kit Part Number W11279478 is required for installing the cooktop into a marble countertop. See the "Assistance or Service" section of the Quick Start Guide for information on ordering.

#### To Install Brackets into Marble Countertop:

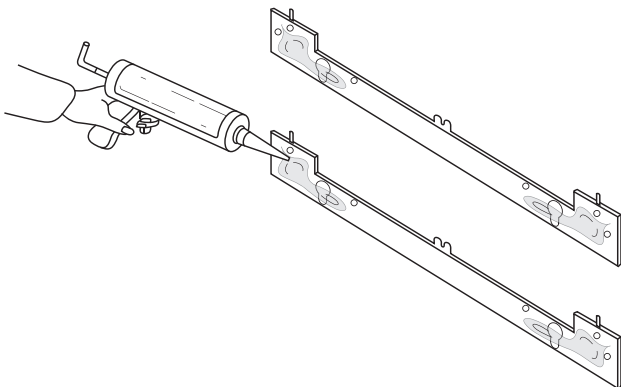
1. Clean the brackets and cooktop cutout of any dust and debris.



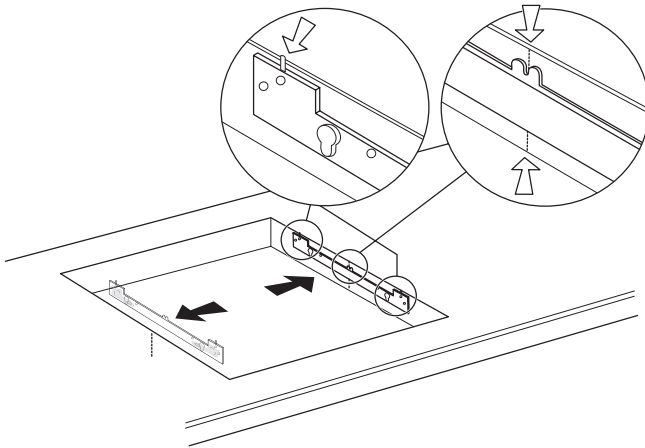
2. Measure the center line of the vertical sides of the cooktop cutout.



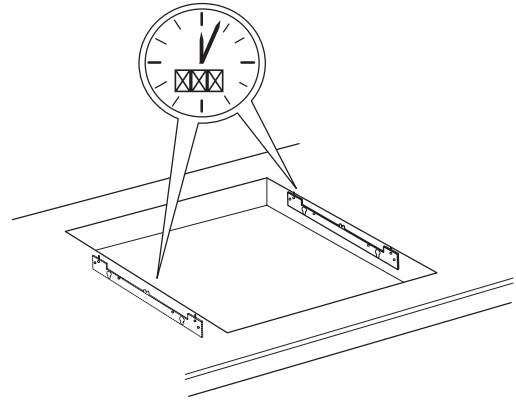
3. Apply the adhesive provided in the kit to the back side of the brackets.



4. Position brackets in the center of the vertical centerline and align the upper edge of the brackets so that they are flush with the countertop.

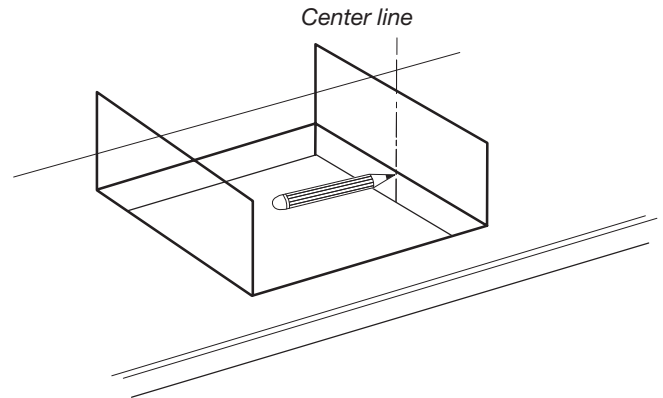


5. Push the brackets firmly onto each side of the cooktop cutout and wait 1 hour for adhesive to dry.

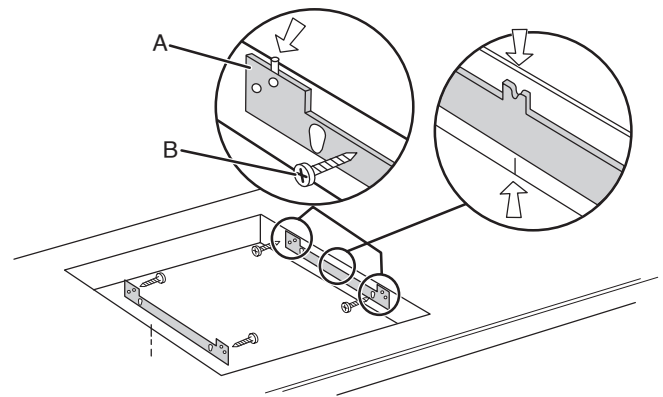


### To Install Brackets into Wood Countertop:

1. Measure the center line of the vertical sides of the cooktop cutout.



2. Position brackets in the center of the vertical centerline and align the upper edge of the brackets so that they are flush with the countertop.
3. Attach the brackets in the cutout with the screws provided.



A. Bracket  
B. Screw

# Install Cooktop

## ⚠️ WARNING

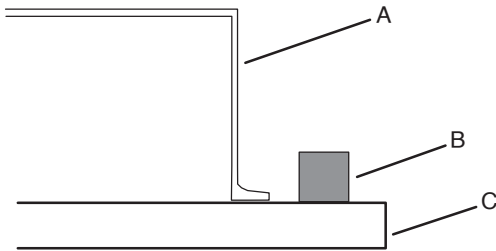
### Excessive Weight Hazard

Use two or more people to move and install or uninstall appliance.

Failure to do so can result in back or other injury.

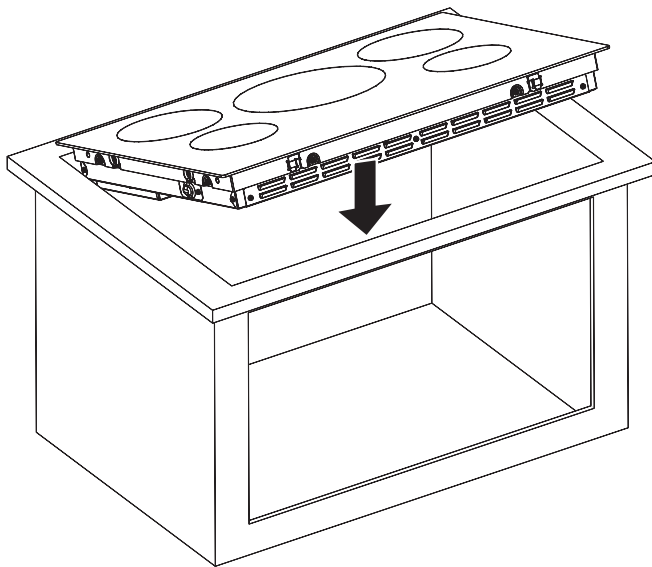
- Using 2 or more people, place the cooktop upside down on a covered surface using the foam end posts from the packaging.
- Optional - Remove the foam roll from the package containing literature. Apply foam adhesive-side down around the bottom of the cooktop glass.

**NOTE:** The foam helps avoid damage to the underside of the cooktop glass from debris and helps the cooktop sit flat on uneven counters.



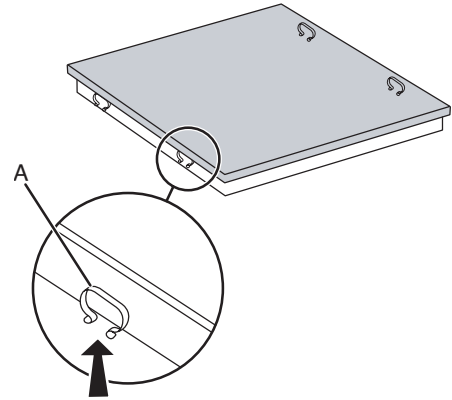
- A. Cooktop base
- B. Foam
- C. Assembly glass

- Lower the cooktop into the cutout with the back end of the cooktop angled down.



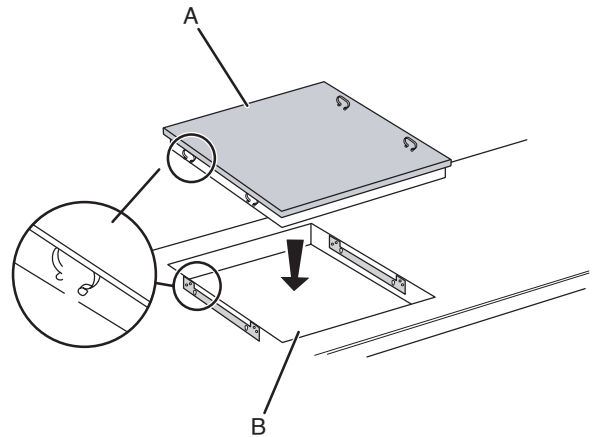
Front Side

- Make sure that the clips on each side of the cooktop line up with the brackets in the cutout.



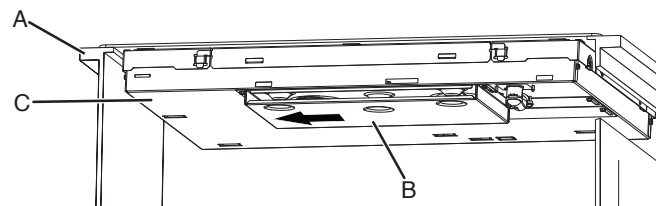
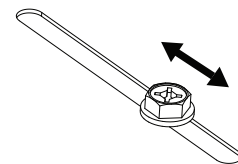
A. Clip

- Push down on cooktop to snap the cooktop clips onto the brackets installed in the cutout.



- A. Induction cooktop
- B. Cooktop cutout

- On the underside of the cooktop, loosen only the 6 or 7 screws for 24", 30" and 36" models on the slider indicated in the image below (Models with 4 cooking zones require 6 screws while models with 5 cooking zones require 7 screws).



- A. Side of cabinet
- B. Cooktop slider
- C. Bottom side of cooktop

7. Push the duct slider toward the side of the cabinet until the slider and cabinet touch.
8. Tighten the screws on the slider.

## Make Electrical Connection

### ⚠WARNING

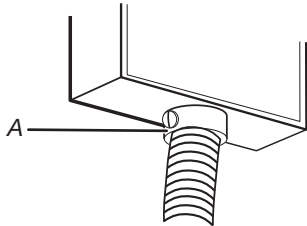


#### Electrical Shock Hazard

- Disconnect power before servicing.
- Use 8 gauge copper wire.
- Electrically ground cooktop.
- Failure to follow these instructions can result in death, fire, or electrical shock.

This cooktop is manufactured with a frame-connected, green (or bare) ground wire.

1. Disconnect power.
2. Remove junction box cover if it is present.
3. Connect the flexible cable conduit from the cooktop to the junction box using a UL listed or CSA approved conduit connector.



A. UL listed or CSA approved conduit connector

4. Tighten screws on conduit connector if present.
5. See "Electrical Connection Options Chart" to complete installation for your type of electrical connection.

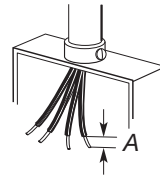
## Electrical Connection Options Chart

If your home has:

Go to section:

4-wire

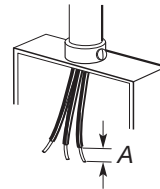
4-Wire Cable from Home Power Supply



A. 1/2" (1.3 cm)

3-wire

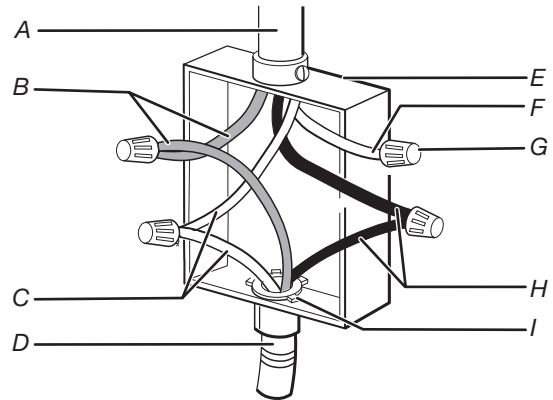
3-Wire Cable from Home Power Supply



A. 1/2" (1.3 cm)

### 4-Wire Cable from Home Power Supply

**IMPORTANT:** Use the 4-wire cable from home power supply in the U.S.A where local codes do not allow grounding through neutral, New Branch circuit installations (1996 NEC), mobile homes and recreational vehicles, new construction, and in Canada.

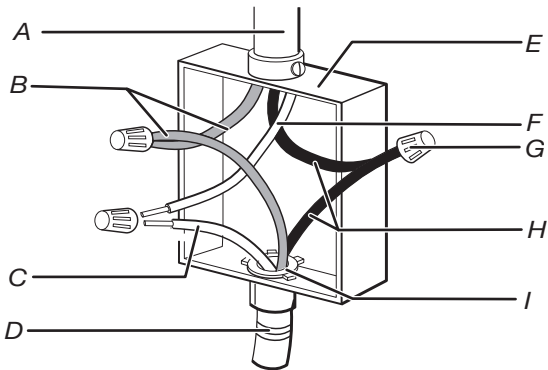


- |                                 |  |
|---------------------------------|--|
| A. Cable from home power supply | F. White wire (from home power supply)                           |
| B. Red wires                    | G. UL listed wire connector                                      |
| C. Green (or bare) ground wires | H. Black wires   |
| D. 3-wire cable from cooktop    | I. UL listed or CSA approved conduit connector with wire bushing |
| E. Junction box                 |  |

1. Connect the 2 red wires (B) together using a UL listed wire connector.
2. Connect the green (or bare) ground wire (C) from the cooktop cable to the green (or bare) ground wire (in the junction box) using a UL listed wire connector.
3. Put a UL listed wire connector on the end of the white wire (F).  
**NOTE:** Do not connect the green (or bare) ground wire to the neutral (white) wire in the junction box.
4. Connect the 2 black wires (H) together using a UL listed wire connector.
5. Install junction box cover.

### 3-Wire Cable from Home Power Supply – U.S.A. Only

**IMPORTANT:** Use the 3-wire cable from home power supply where local codes permit a 3-wire connection.



- |  |  |
|--|--|
| A. Cable from home power supply              | F. White wire (from home power supply)                           |
| B. Red wires                                 | G. UL listed wire connector                                      |
| C. Green (or bare) ground wires from cooktop | H. Black wires   |
| D. 3-wire cable from cooktop                 | I. UL listed or CSA approved conduit connector with wire bushing |
| E. Junction box                              |  |

1. Connect the 2 red wires (B) together using a UL listed wire connector.
2. Connect the green (or bare) cooktop cable wire (C) to the white (neutral) wire (F) in the junction box using a UL listed wire connector.
3. Connect the 2 black wires (H) together using a UL listed wire connector.
4. Install junction box cover.

### Complete Installation

1. Check that all parts are now installed. If there is an extra part, go back through the steps to see which step was skipped.
2. Check that you have all your tools.
3. Dispose of/recycle all packaging materials.
4. Use a mild solution of liquid household cleaner and warm water to clean cooktop before use. Dry thoroughly with a soft cloth. For more information, see the "Cooktop Care" section of the Control Guide.
5. Read "Cooktop Use" in the section of the Control Guide.
6. Reconnect power.

**NOTE:** If the cooktop does not work after turning on the power, check that a circuit breaker has not tripped or a household fuse has not blown. See "Troubleshooting" section in the Control Guide for further information.

#### If you need Assistance or Service:

Please refer the "Assistance or Service" section of the Quick Start Guide or contact the dealer from whom you purchased your cooktop.

# SÉCURITÉ DE LA TABLE DE CUISSON

## Votre sécurité et celle des autres sont très importantes.

Nous donnons de nombreux messages de sécurité importants dans ce manuel et sur votre appareil. Assurez-vous de toujours lire tous les messages de sécurité et de vous y conformer.



Voici le symbole d'alerte de sécurité.

Ce symbole d'alerte de sécurité vous signale les dangers potentiels de décès et de blessures graves.

Tous les messages de sécurité suivront le symbole d'alerte de sécurité et le mot « DANGER » ou « AVERTISSEMENT ». Ces mots signifient :

**⚠ DANGER**

**Risque possible de décès ou de blessure grave si vous ne suivez pas immédiatement les instructions.**

**⚠ AVERTISSEMENT**

**Risque possible de décès ou de blessure grave si vous ne suivez pas les instructions.**

Tous les messages de sécurité vous diront quel est le danger potentiel, comment réduire le risque de blessure et ce qui peut se produire en cas de non-respect des instructions.

## IMPORTANTES INSTRUCTIONS DE SÉCURITÉ

**AVERTISSEMENT : POUR RÉDUIRE LE RISQUE D'INCENDIE, DE DÉCHARGE ÉLECTRIQUE OU DE BLESSURES, RESPECTER LES INSTRUCTIONS SUIVANTES :**

- Utiliser cet appareil uniquement selon les modalités d'utilisation prévues par le fabricant. Pour toute question, contacter le fabricant.
- **AVERTISSEMENT :** Risque d'incendie : Ne pas ranger d'objets sur les surfaces de cuisson. Ne jamais rien laisser sur la surface lorsqu'elle est laissée sans surveillance et qu'elle n'est pas utilisée. Ne jamais placer d'objets inflammables ou en plastique sur ou à proximité de la surface.
- Avant d'entreprendre une opération d'entretien ou de nettoyage sur l'appareil, interrompre l'alimentation de l'appareil au panneau de distribution et verrouiller ce dernier pour empêcher tout rétablissement accidentel de l'alimentation du circuit. Lorsqu'il n'est pas possible de verrouiller le tableau de distribution, placer sur ce dernier une étiquette d'avertissement bien en vue interdisant le rétablissement de l'alimentation.
- Tout travail d'installation ou câblage électrique doit être réalisé par une personne qualifiée, dans le respect des prescriptions de tous les codes et toutes les normes applicables, y compris les codes du bâtiment et de protection contre les incendies.
- Ne pas faire fonctionner un ventilateur dont le cordon ou la fiche est endommagé(e). Jeter le ventilateur ou le retourner à un centre de service agréé pour examen ou réparation.
- Une source d'air de débit suffisant est nécessaire pour que la combustion et l'évacuation des gaz puissent s'effectuer correctement par la cheminée de l'appareil à gaz, afin d'éviter tout reflux des gaz de combustion. Respecter les directives du fabricant de l'équipement de chauffage et les prescriptions des normes de sécurité – comme celles publiées par la National Fire Protection Association (NFPA) et l'American Society for Heating, Refrigeration and Air Conditioning Engineers (ASHRAE), ainsi que les prescriptions des autorités réglementaires locales.
- Lors des opérations de découpage et de perçage dans un mur ou un plafond, ne pas endommager les câblages électriques et les canalisations qui peuvent s'y trouver.
- Les ventilateurs d'évacuation doivent toujours décharger l'air vers l'extérieur.

**ATTENTION :** Cet appareil est conçu uniquement pour la ventilation générale. Ne pas l'utiliser pour l'extraction de matières ou vapeurs dangereuses ou explosives.

**ATTENTION :** Pour réduire le risque d'incendie et évacuer adéquatement les gaz, acheminer l'air aspiré par un conduit jusqu'à l'extérieur – ne pas décharger l'air aspiré dans un espace vide du bâtiment comme une cavité murale, un plafond, un grenier, un vide sanitaire ou un garage.

**AVERTISSEMENT :** POUR RÉDUIRE LE RISQUE D'INCENDIE, UTILISER UNIQUEMENT DES CONDUITS MÉTALLIQUES.

**AVERTISSEMENT :** POUR RÉDUIRE LE RISQUE D'UN FEU DE GRAISSE SUR LA TABLE DE CUISSON :

- Ne jamais laisser les surfaces de cuisson sans surveillance à des réglages de chaleur élevée – Les huiles de cuisson et les graisses animales sont inflammables, l'ébullition peut provoquer des fumées et les débordements graisseux peuvent s'enflammer.
- Veiller à toujours faire fonctionner le ventilateur de la hotte lors de la cuisson avec une puissance élevée ou lors de la cuisson d'un mets à flamber (à savoir crêpes Suzette, cerises jubiléées, steak au poivre flambé).
- Nettoyer fréquemment le ventilateur d'extraction. Veiller à ne pas laisser la graisse s'accumuler sur les surfaces du ventilateur ou des filtres.
- Utiliser toujours un ustensile de taille appropriée. Utiliser toujours un ustensile adapté à la taille de l'élément chauffant.

**AVERTISSEMENT :** POUR RÉDUIRE LE RISQUE DE BLESSURES APRÈS LE DÉCLENCHEMENT D'UN FEU DE GRAISSE SUR LA TABLE DE CUISSON, RESPECTER LES RECOMMANDATIONS SUIVANTES :

- Placer sur le récipient un couvercle bien ajusté, une tôle à biscuits ou un plateau métallique **POUR ÉTOUFFER LES FLAMMES**, puis éteindre le brûleur. **VEILLER À ÉVITER LES BRÛLURES.** Si les flammes ne s'éteignent pas immédiatement, **ÉVACUER LA PIÈCE ET APPELER LES POMPIERS.**
- **NE JAMAIS PRENDRE EN MAIN UN RÉCIPIENT ENFLAMMÉ** – Vous risquez de vous brûler.
- **NE PAS UTILISER D'EAU** ni de torchon humide – ceci pourrait provoquer une explosion de vapeur brûlante.
- Utiliser un extincteur **SEULEMENT** si :
  - Il s'agit d'un extincteur de classe ABC, dont on connaît le fonctionnement.
  - Il s'agit d'un petit feu encore limité à l'endroit où il s'est déclaré.
  - Les pompiers ont été contactés.
  - Il est possible de garder le dos orienté vers une sortie pendant l'opération de lutte contre le feu.Recommandations tirées des « conseils de sécurité en cas d'incendie de cuisine » publiés par la NFPA.
- **AVERTISSEMENT :** Pour réduire le risque d'incendie ou de décharge électrique, ne pas utiliser ce ventilateur avec un dispositif de réglage de vitesse à semi-conducteurs.
- Ne pas laisser les enfants seuls – Les enfants ne doivent pas être laissés seuls ou sans surveillance dans la zone où l'appareil est utilisé. Ils ne doivent jamais être autorisés à s'asseoir ou à se tenir debout sur une partie quelconque de l'appareil.
- Porter des vêtements adaptés – Les vêtements pendants ou non ajustés ne doivent jamais être portés lorsqu'on utilise l'appareil.
- Entretien par l'utilisateur – Ne pas réparer ou remplacer une quelconque pièce de l'appareil sans recommandation spécifique du manuel. Toutes les autres tâches d'entretien doivent être effectuées par un technicien qualifié.

## CONSERVER CES INSTRUCTIONS

## IMPORTANTES INSTRUCTIONS DE SÉCURITÉ

- Utiliser uniquement des mitaines sèches – Les mitaines humides ou trempées sur les surfaces chaudes peuvent provoquer des brûlures dues à la vapeur. Ne pas laisser les maniques toucher des éléments chauffants et chauds. Ne pas utiliser un chiffon ou tout autre tissu encombrant.
- Les poignées des ustensiles doivent être tournées vers l'intérieur et ne doivent pas dépasser au-dessus des unités de surface de cuisson – Pour éviter le risque de brûlures, d'inflammation des matières inflammables et d'éclaboussures dues à un contact non intentionnel avec l'ustensile, la poignée d'un ustensile doit toujours être positionnée vers l'intérieur et ne doit pas dépasser au-dessus des surfaces de cuisson adjacentes.
- Ne pas cuire sur une table de cuisson brisée – Si la table de cuisson est cassée, les agents de nettoyage et les éclaboussures peuvent pénétrer dans la table de cuisson brisée et créer un risque de décharge électrique. Contacter un électricien qualifié immédiatement dans ce cas.
- Ne pas placer d'objets en métal comme un couteau, une fourchette, une cuillère ou un couvercle sur la surface de cuisson, ils pourraient devenir chauds.  
**ATTENTION** : Ne pas entreposer de produits d'intérêt pour les enfants dans les placards au-dessus d'une table de cuisson – Les enfants grim pant sur la table de cuisson pour attraper ces objets pourraient gravement se blesser.
- **NE PAS TOUCHER LES UNITÉS DE SURFACE OU LES ZONES PRÈS DES UNITÉS DE SURFACE** – Les unités de surface peuvent être chaudes même si elles sont de couleur foncée. Les zones près des unités de surface peuvent être suffisamment chaudes pour provoquer des brûlures. Pendant et après l'utilisation, ne pas toucher ou laisser des vêtements ou d'autres matériaux inflammables en contact avec les unités de surface ou les zones près des unités de surface tant qu'elles n'ont pas suffisamment refroidi. Parmi ces zones figurent (identification des zones – par exemple, la table de cuisson et les surfaces faisant face à la table de cuisson).

## CONSERVER CES INSTRUCTIONS

# Guide de connexion Internet pour les appareils connectés uniquement

**IMPORTANT :** Il est de la responsabilité de l'utilisateur de bien installer l'appareil avant de l'utiliser. Bien lire et suivre le guide d'installation qui accompagne l'appareil.

La connectabilité nécessite un réseau Wi-Fi et la création d'un compte. Les fonctions de l'application peuvent changer. Des frais de transfert de données peuvent s'appliquer. Une fois installée, lancer l'application. Suivre les étapes de configuration du compte d'utilisateur et de connexion de l'appareil.

## Il faut :

- Un routeur sans fil compatible Wi-Fi à 2,4 GHz avec sécurité WPA2. Pour vérifier les capacités du routeur, consulter le manuel d'instructions du fabricant du routeur.
- Le routeur devra être en marche et connecté à Internet.

## Déclaration de conformité de la Commission fédérale des communications (FCC)

Cet appareil est conforme à la norme FCC, partie 15. Le bon fonctionnement de l'appareil est fonction de deux conditions :

1. Cet appareil ne doit pas produire de brouillage dommageable et
2. Cet appareil doit accepter tout brouillage radioélectrique subi, même si le brouillage est susceptible d'en compromettre le fonctionnement.

Tout changement ou toute modification n'ayant pas été expressément approuvés par la partie responsable de la conformité pourraient annuler l'autorité de l'utilisateur à utiliser l'appareil.

## Avis de conformité d'Industrie Canada (IC)

Cet appareil satisfait aux prescriptions des documents CNR/RSS d'Industrie Canada (utilisation sans licence). Le bon fonctionnement de l'appareil est fonction de deux conditions :

1. Cet appareil ne doit pas produire de brouillage.
2. Cet appareil doit être compatible avec n'importe quelle interférence, y compris des interférences causées par l'utilisation involontaire de l'appareil.

En vertu des règlements d'Industrie Canada, cet émetteur radio ne peut fonctionner qu'à l'aide d'une antenne d'un type et de gain maximum (ou moins) approuvé pour l'émetteur par Industrie Canada. Pour réduire les interférences radio potentielles pour les autres utilisateurs, le type d'antenne et son gain doivent être choisis de sorte que la puissance isotrope rayonnée équivalente (PIRE) ne dépasse pas ce qui est nécessaire pour une communication réussie.

Pour satisfaire aux exigences de la FCC et d'Industrie Canada sur les l'exposition aux radiations de radiodiffusion, les antennes utilisées avec cet émetteur doivent être installées de telle sorte qu'il y ait une distance de 20 cm ou plus séparant la source de radiation (antenne) et toute personne en tout temps et ne doit pas être co-utilisée ou fonctionner en même temps qu'une autre antenne ou qu'un émetteur.

Si cet appareil cause des interférences nuisibles à la réception radio ou télévision, elles peuvent être déterminées par le fait d'allumer et d'éteindre l'appareil, l'utilisateur est encouragé à essayer de corriger les interférences en suivant l'un ou plusieurs des conseils suivants :

- Réorienter ou déplacer l'antenne de réception.
- Augmenter la distance séparant l'appareil du récepteur.
- Brancher l'appareil sur un circuit différent de celui où le récepteur est branché.
- Contacter un revendeur ou un technicien radio/télévision qualifié pour obtenir de l'aide.

Cet appareil est conforme à la norme FCC, partie 18.  
Cet appareil est conforme à la norme ICES-001 d'Industrie Canada.

Cette table de cuisson à induction génère et utilise une énergie de fréquence ISM qui chauffe l'ustensile de cuisson à l'aide d'un champ électromagnétique. Elle a été testée et déclarée conforme à la section 18 du règlement FCC pour l'équipement ISM. Cette table de cuisson à induction satisfait aux exigences du règlement FCC pour la réduction des interférences avec d'autres dispositifs résidentiels.

Cette table de cuisson à induction peut causer des interférences pour la réception de la télévision et de la radio. En cas d'interférence, l'utilisateur doit essayer d'y remédier en prenant une ou plusieurs des mesures suivantes :

Changer l'orientation de l'antenne de réception de la radio ou de la télévision.

Éloigner la table de cuisson du récepteur.

Brancher le récepteur dans une prise différente.

Il incombe à l'utilisateur de corriger toute interférence.

**REMARQUE :** Les personnes utilisant un stimulateur cardiaque ou un dispositif médical similaire doivent prendre leurs précautions lorsqu'elles se trouvent à proximité d'une table de cuisson à induction allumée. Le champ électromagnétique peut affecter le fonctionnement du stimulateur cardiaque ou de tout dispositif similaire. Consultez votre médecin ou le fabricant du stimulateur cardiaque ou du dispositif médical pour obtenir des informations supplémentaires à propos de ses effets en présence des champs magnétiques émis par la table de cuisson à induction.

# ENTRETIEN ET RÉPARATION DE LA TABLE DE CUISSON

## Nettoyage général

**IMPORTANT :** Avant le nettoyage, s'assurer que toutes les commandes sont éteintes et que la table de cuisson a refroidi.

Utiliser du savon, de l'eau et un chiffon doux ou une éponge.

Afin d'éviter d'endommager la table de cuisson, ne pas utiliser de laine d'acier, de nettoyants en poudre abrasifs, d'eau de Javel, de produit antirouille ou d'ammoniaque. Ne pas effectuer de nettoyage à la vapeur.

Pour obtenir de bons résultats, activer la fonction Key lock (Verrouillage des touches) pour empêcher les commandes de s'activer pendant le nettoyage.

### VITROCÉRAMIQUE

Un grattoir pour table de cuisson peut aussi être utilisé. Suivre les étapes suivantes :

1. Tenir le grattoir pour table de cuisson à un angle d'environ 45° par rapport à la surface de verre et gratter les salissures. Il convient d'appuyer fermement pour éliminer les salissures.
2. Appliquer quelques gouttes de savon et d'eau sur les zones concernées.
3. Polir avec un chiffon propre et sec

Répéter au besoin les étapes 1 à 3 pour les taches les plus tenaces ou incrustées

### ACIER INOXYDABLE (sur certains modèles)

**REMARQUE :** Afin d'éviter d'endommager les surfaces en acier inoxydable, ne pas utiliser de tampons à récurer savonneux de nettoyants abrasifs, de tampons en laine d'acier, de chiffons de lavage rêches ou d'essuie-tout abrasifs.

Frotter dans le la sens du grain pour éviter les dommages.

### Méthode de nettoyage :

1. Nettoyant tout-usage : Rincer à l'eau propre et sécher avec un chiffon doux sans charpie.
2. Vinaigre pour les taches d'eau dure.

## EXIGENCES D'INSTALLATION

### Outils et pièces

Rassembler les outils et pièces nécessaires avant d'entreprendre l'installation. Lire et observer les instructions fournies avec chacun des outils de la liste suivante.

#### Outils nécessaires

- Ruban à mesurer
- Tournevis à tête plate
- Tournevis cruciforme
- Perceuse manuelle ou électrique
- Niveau
- Marqueur ou crayon
- Pince
- Foret de 1/4 po
- Scie sauteuse

#### Pièces fournies

- Brides (2)
- (4) vis de fixation no 6 x 3/4 po (1,9 cm)
- Vis de tôle no 8 x 3/8 po (9,5 mm) (7 vis pour les modèles de 24 po, 30 po et 36 po)

#### Pièces nécessaires

- Serre-câbles (homologation UL ou CSA)
- Capuchons de connexion (homologation UL)
- Boîtier de connexion ou prise de 240 V homologué UL
- Ensemble adhésif du support de table de cuisson, pièce numéro W11279478 pour installation de la table de cuisson dans un plan de travail en marbre. Voir la section « Assistance ou service » dans le Guide de démarrage rapide pour obtenir des renseignements sur le processus de commande.

Consulter les codes locaux. Vérifier l'alimentation électrique existante. Consulter les « Spécifications électriques ».

Il est recommandé de faire réaliser tous les raccordements électriques par un électricien qualifié agréé.

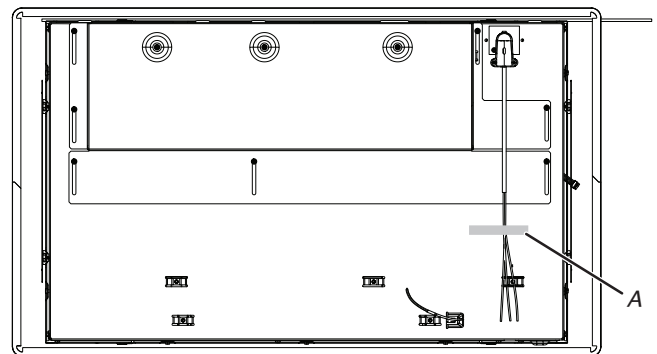
## Exigences d'emplacement

S'assurer d'avoir tout le nécessaire pour une installation convenable. C'est à l'installateur qu'incombe la responsabilité de se conformer aux dégagements de séparation spécifiés dans ces instructions.

**IMPORTANT :** Observer les dispositions de tous les codes et règlements en vigueur. Lors de l'installation de la table de cuisson, utiliser les dimensions minimales indiquées.

- Pour éliminer les risques de brûlure ou d'incendie en se penchant au-dessus d'une surface qui chauffe, il est déconseillé d'utiliser l'espace de rangement des armoires situées au-dessus de l'appareil. Si des armoires de rangement sont envisagées, le risque peut être réduit par l'installation d'une hotte de cuisinière dépassant le bas des armoires d'au moins 5 po (12,7 cm) horizontalement.
- C'est à l'installateur qu'incombe la responsabilité de respecter les distances de séparation spécifiées sur la plaque signalétique. La plaque signalétique des numéros de modèle et de série est située sur la face inférieure de la boîte de brûleur de la table de cuisson.

### Emplacement de la plaque signalétique de la table de cuisson de 24 po, 30 po et 36 po

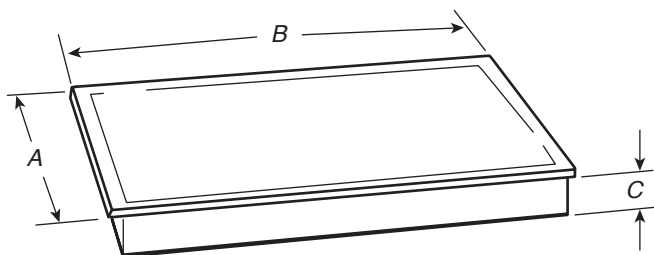


A. Plaque signalétique du numéro de modèle et de série

- Vérifier que la base de la table de cuisson comporte une étiquette d'installation approuvée. Vérifier les numéros de modèles de four approuvés qui peuvent être installés avec votre numéro de modèle de table de cuisson. Si vous ne trouvez pas cette étiquette, il se peut que votre table de cuisson ne soit pas approuvée pour une utilisation au-dessus d'un four encastré sous comptoir. Contacter le marchand pour confirmer que votre table de cuisson est bien approuvée.

- Les fours homologués pour ce type d'installation comportent une étiquette d'homologation placée sur le dessus du four. Si vous ne trouvez pas cette étiquette, contactez votre marchand pour confirmer que le four est bien approuvé. Consulter les instructions d'installation du fabricant du four pour obtenir l'approbation de l'utilisation en encastrément et les dimensions correctes.
- Lors de l'installation de la table de cuisson sur un four encastré sous comptoir, ne pas fixer la table de cuisson au comptoir avec des brides ni sceller la table de cuisson au plan de travail. Ceci facilitera la dépose de la table de cuisson plus tard en cas de nécessité de réparation.
- Utiliser les dimensions d'ouverture du comptoir qui sont indiquées dans ces instructions d'installation. Les dimensions données sont les espacements minimaux et fournissent un dégagement de 0 po (0 cm).
- Une source d'électricité avec liaison à la terre est nécessaire. Voir la section « Spécifications électriques ».

## Dimensions du produit



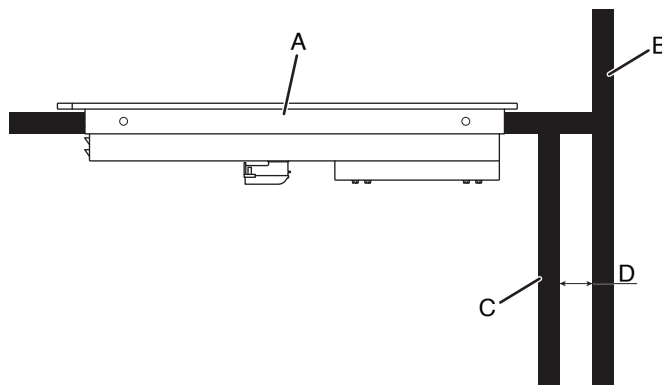
Modèle	A	B	C
24 po	21 <sup>5</sup> / <sub>16</sub> po (54,1 cm)	25 <sup>5</sup> / <sub>8</sub> po (65 cm)	3 <sup>3</sup> / <sub>4</sub> po (9,5 cm)
30 po	21 <sup>5</sup> / <sub>16</sub> po (54,1 cm)	30 <sup>13</sup> / <sub>16</sub> po (78,2 cm)	3 <sup>3</sup> / <sub>4</sub> po (9,5 cm)
36 po	21 <sup>5</sup> / <sub>16</sub> po (54,1 cm)	36 <sup>5</sup> / <sub>16</sub> po (92,2 cm)	3 <sup>3</sup> / <sub>4</sub> po (9,5 cm)

### Avec cadre :

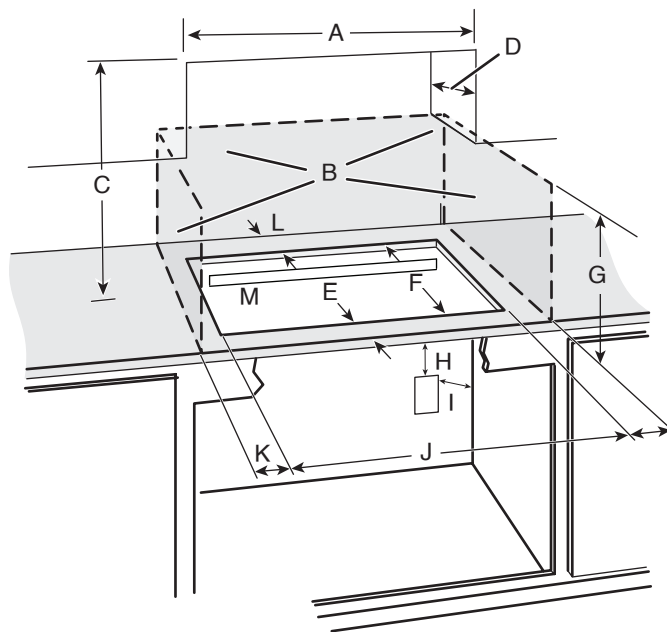
	A	B	C
30 po	22 <sup>5</sup> / <sub>16</sub> po (56,7 cm)	31 <sup>13</sup> / <sub>16</sub> po (80,8 cm)	3 <sup>5</sup> / <sub>8</sub> po (9,14 cm)
36 po	22 <sup>5</sup> / <sub>16</sub> po (56,7 cm)	37 <sup>5</sup> / <sub>16</sub> po (94,8 cm)	3 <sup>5</sup> / <sub>8</sub> po (9,14 cm)

## Dimensions de l'armoire

**IMPORTANT :** En cas d'installation d'une hotte ou d'un ensemble hotte/micro-ondes au-dessus de la cuisinière, suivre les instructions fournies avec la hotte ou l'ensemble hotte/micro-ondes concernant les dimensions de dégagement à respecter au-dessus de la surface de la table de cuisson.

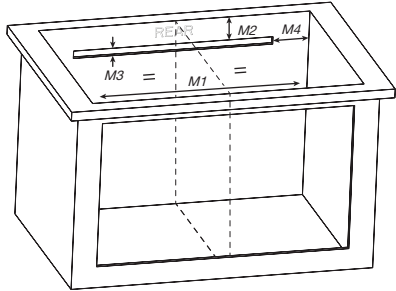


- A. Table de cuisson
- B. Mur arrière
- C. Arrière de l'armoire
- D. Dégagement minimum de 13/16 po (2 cm) entre le mur de la maison et l'arrière de l'armoire



- A. 24 po sur les modèles de 24 po, 30 po sur les modèles de 30 po et 36 po sur les modèles de 36 po
- B. Zone de matière combustible au-dessus du comptoir (espace délimité par des lignes pointillées ci-dessus)
- C. Distance minimale de séparation de 30 po (86 cm) entre le dessus de la table de cuisson et le fond d'une armoire métallique ou de bois non couverte (distance de séparation de 24 po [61 cm] ou plus si le fond de l'armoire de métal ou de bois est recouvert d'une plaque d'au moins 1/4 po [6,4 mm] de matériau résistant aux flammes, lui-même recouvert d'une feuille métallique d'une épaisseur correspondant à un calibre de 28 au moins pour l'acier, 0,015 po [0,4 mm] pour l'acier inoxydable, 0,024 po [0,6 mm] pour l'aluminium ou 0,020 po [0,5 mm] pour le cuivre).
- D. 13 po (33,0 cm) max de profondeur de l'armoire supérieure
- E. 2 po (5,1 cm)
- F. Pour plus de détails, voir le Tableau 1

- G. Distance de séparation minimale de 18 po (45,7 cm) entre l'armoire supérieure et le comptoir avec distance minimale de séparation horizontale pour la table de cuisson
- H. Boîtier de connexion ou prise électrique; 12 po (30,5 cm) ou plus depuis le bas du plan de travail
- I. Boîtier de connexion ou prise électrique; 10 po (25,4 cm) depuis le côté droit du placard
- J. Pour plus de détails, voir le Tableau 1
- K. Distance de séparation minimale de 1 po (2,5 cm) par rapport à la surface de matériau combustible la plus proche, à gauche ou à droite au-dessus de la table de cuisson
- L. Distance de séparation minimale de 1 po (2,5 cm) entre la paroi arrière et le plan de travail
- M. **IMPORTANT** : pour une bonne ventilation, prévoir une découpe dans la paroi arrière du placard comme illustré. Pour une installation standard ou en affleurement, s'assurer que l'axe central de l'ouverture et l'axe central de la découpe d'aération soient alignés.



Modèle	M1	M2	M2 (affleurement)	M3	M4
24 po	13 11/16 po (34,7 cm)	2 11/16 po (6,8 cm)	2 15/16 po (7,4 cm)	13/16 po (2,1 cm)	1 7/16 po (3,6 cm)
30 po	13 11/16 po (34,7 cm)	2 11/16 po (6,8 cm)	2 15/16 po (7,4 cm)	13/16 po (2,1 cm)	8 1/8 po (20,7 cm)
36 po	23 3/8 po (59,4 cm)	2 11/16 po (6,8 cm)	2 15/16 po (7,4 cm)	13/16 po (2,1 cm)	3 3/16 po (8,1 cm)

Tableau 1

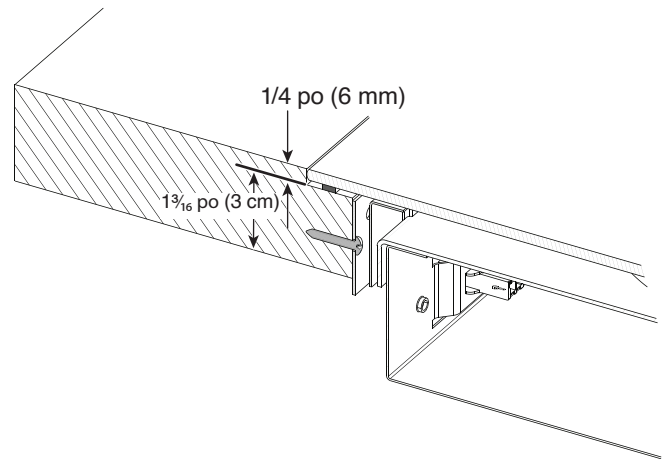
**DÉCOUPE**

Dimension	24 po	30 po	36 po
F	20 7/16 po (51,9 cm)	19 5/8 po (49,8 cm)	20 7/16 po (51,9 cm)
J	21 13/16 po (55,4 cm)	28 1/2 po (72,4 cm)	33 1/16 po (84 cm)

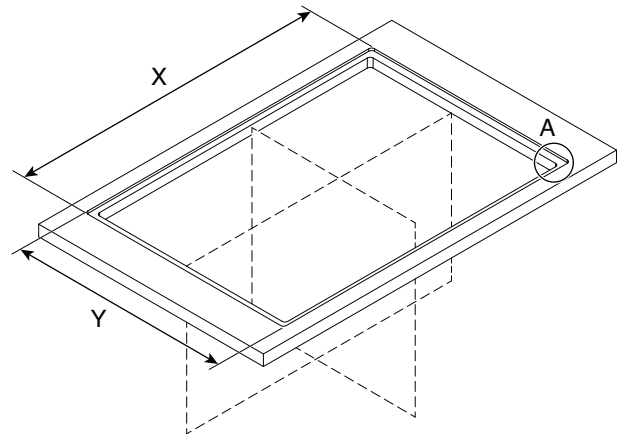
**REMARQUE** : après le découpage de l'ouverture dans le plan de travail, il est possible que pour certaines configurations d'installation, il soit nécessaire d'entailler les parois latérales de l'armoire inférieure pour permettre le passage de la base de la table de cuisson. Pour éviter cette modification, utiliser une armoire inférieure dont la largeur entre les parois latérales est supérieure à celle de l'ouverture découpée.

Si l'armoire comporte un tiroir, on devra ménager une distance de séparation de 5 1/8 po (13 cm) entre le plan de travail et le sommet du tiroir (ou autre obstruction) dans l'armoire inférieure.

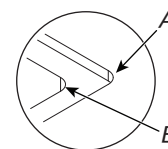
**Installation en affleurement – sans cadre**



Modèle	X	Y
24 po	25 13/16 po (65,5 cm)	21 7/16 po (54,5 cm)
30 po	31 po (78,7 cm)	21 7/16 po (54,5 cm)
36 po	36 1/2 po (92,7 cm)	21 7/16 po (54,5 cm)



**Détail A**



- A. R14,7 ± 0,5 – Pour 24 po, R5,5 ± 0,5 – Pour 30 po et 36 po
- B. R5,5 ± 0,5

Rayon du verre 24 po (modèles) – 12,7 mm

Rayon du verre 30 po et 36 po (modèles) – 2 mm

# Spécifications électriques

## **AVERTISSEMENT**



### Risque de choc électrique

**Déconnecter la source de courant électrique avant d'entreprendre le travail.**

**Utiliser du fil en cuivre de calibre 8.**

**Relier la table de cuisson à la terre.**

**Le non-respect de ces instructions peut causer un décès, un incendie ou un choc électrique.**

Si les codes le permettent et qu'un fil de mise à la terre séparé est utilisé, nous recommandons qu'un électricien qualifié détermine si le trajet du fil et son calibre respectent les codes locaux.

Vérifier auprès d'un électricien qualifié si vous avez des doutes quant à la qualité de la liaison à la terre de la table de cuisson.

Ne pas installer un fusible dans le conducteur neutre ou de liaison à la terre.

S'assurer que la connexion électrique et le calibre des fils sont appropriés et conformes au National Electrical Code, aux normes ANSI/NFPA 70 – dernière édition, ou aux normes CSA C22.1-94, au Code canadien de l'électricité, Partie 1 et C22.2 no O-M91 – dernière édition, et à tous les codes et règlements locaux.

Pour obtenir un exemplaire des normes des codes ci-dessus, contacter :

National Fire Protection Association  
1 Batterymarch Park  
Quincy, MA 02169-7471  
CSA International  
8501 East Pleasant Valley Road  
Cleveland, OH 44131-5575

### Avant d'établir la connexion électrique :

Pour installer la table de cuisson correctement, il faut établir le type de raccords électriques que l'on utilisera et suivre les instructions indiquées ici.

- Un circuit monophasé à 4 ou 3 fils est nécessaire sur un circuit séparé, comme indiqué dans les tableaux ci-dessous, protégé par fusibles aux deux extrémités de la ligne.

#### Alimentation électrique CA de 240 V à 60 Hz seulement :

Configuration de la table de cuisson	Circuit
4 zones de cuisson	40 A
5 zones de cuisson	50 A

#### Alimentation électrique CA de 208 V à 60 Hz seulement :

Configuration de la table de cuisson	Circuit
4 zones de cuisson	40 A
5 zones de cuisson	60 A

- La table de cuisson doit être raccordée directement au boîtier de connexion par l'intermédiaire d'un câble flexible à conducteur de cuivre (avec blindage ou gaine non métallique). Le câble blindé flexible sortant du boîtier de distribution (fusible ou disjoncteur) doit être raccordé directement au boîtier de connexion.
- Placer le boîtier de connexion pour laisser le plus de jeu possible entre celui-ci et la table de cuisson pour pouvoir déplacer la table de cuisson en cas de besoin de réparation à l'avenir.
- Ne pas couper le conduit. La longueur du conduit fourni est destinée à faciliter l'entretien de la table de cuisson.
- Un connecteur de conduit homologué UL ou CSA doit être fourni à chaque extrémité du câble d'alimentation électrique (à la table de cuisson et au boîtier de connexion). Un connecteur de conduit homologué est déjà fourni à la table de cuisson.
- Si le domicile possède un câblage en aluminium, suivre la procédure ci-dessous :  
Connecter le câblage en aluminium en utilisant des capuchons ou des outils spécialement conçus et homologués UL pour raccorder le cuivre à l'aluminium.

Suivre la procédure recommandée par le fabricant de connecteurs électriques. Les raccordements aluminium/cuivre doivent satisfaire aux prescriptions des codes locaux et de l'industrie et être conformes aux pratiques de câblage reconnues.

## INSTRUCTIONS D'INSTALLATION

### Préparation de l'emplacement

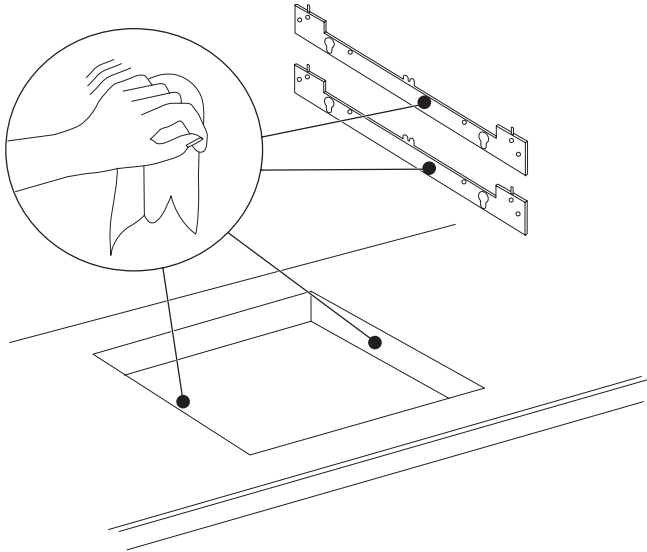
1. Déterminer l'emplacement final de la table de cuisson.  
**REMARQUE** : l'épaisseur du plan de travail doit être comprise entre 1<sup>3</sup>/<sub>16</sub> po (3 cm) et 2 po (5,1 cm).
2. Si nécessaire, découper l'ouverture dans le plan de travail avant d'installer la table de cuisson. Voir la section « Exigences d'installation » pour plus de renseignements.
3. Nettoyer l'ouverture pour la dégager de tout résidu ou poussière.

## Installation des supports

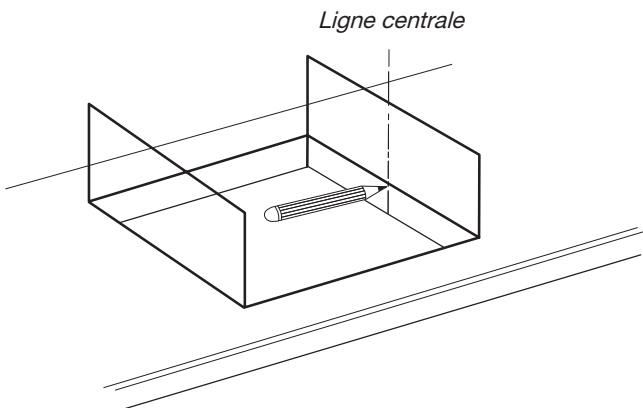
**REMARQUE :** l'ensemble adhésif du support de table de cuisson, numéro de pièce W11279478, est nécessaire pour l'installation de la table de cuisson dans un plan de travail en marbre. Voir la section « Assistance ou service » dans le Guide de démarrage rapide pour obtenir des renseignements sur le processus de commande.

### Installation des supports dans le plan de travail en marbre :

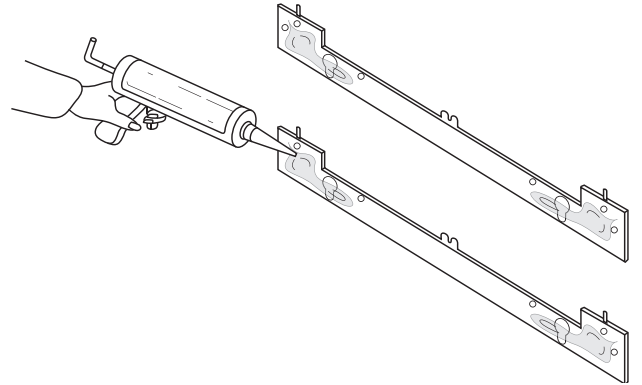
1. Nettoyer les supports et l'ouverture de la table de cuisson pour éliminer résidus et poussière.



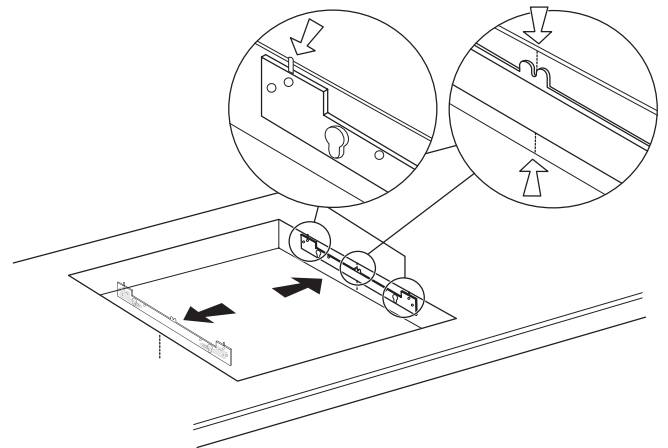
2. Mesurer l'axe central des parois verticales de l'ouverture de la table de cuisson.



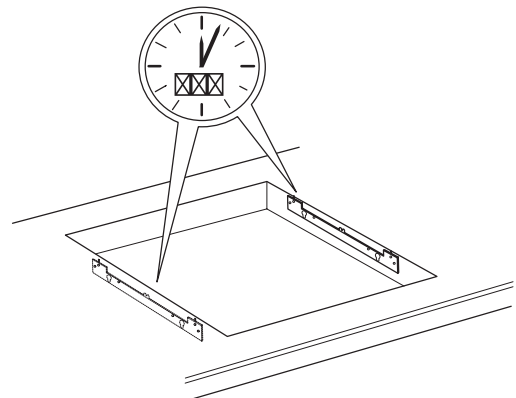
3. Appliquer l'adhésif fourni avec la trousse sur l'arrière des supports.



4. Positionner les supports au centre de l'axe central vertical et aligner la rive supérieure des supports de façon à ce qu'ils soient en affleurement avec le plan de travail.

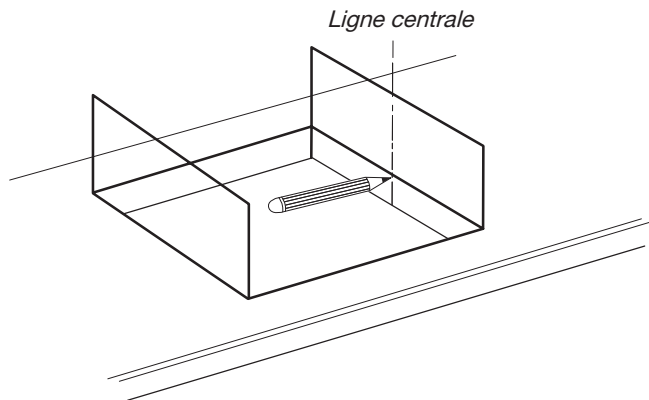


5. Enfoncer fermement les supports sur chaque côté de l'ouverture de la table de cuisson et attendre 1 heure pour que l'adhésif puisse sécher.

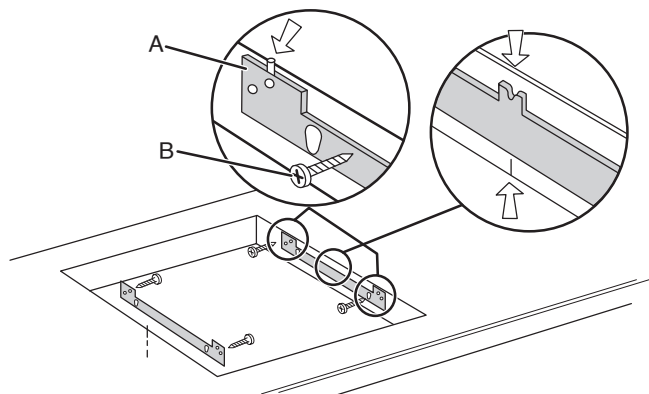


### Installation des supports dans le plan de travail en bois :

1. Mesurer l'axe central des parois verticales de l'ouverture de la table de cuisson.



2. Positionner les supports au centre de l'axe central vertical et aligner la rive supérieure des supports de façon à ce qu'ils soient en affleurement avec le plan de travail.
3. Fixer les supports dans l'ouverture avec les vis fournies.



A. Support  
B. Introduire

### Installation de la table de cuisson

## ⚠ AVERTISSEMENT

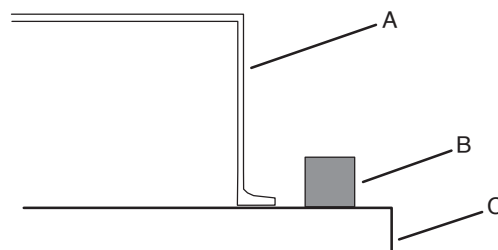
#### Risque de poids excessif

Utiliser deux personnes ou plus pour déplacer et installer l'appareil.

Le non-respect de cette instruction peut causer une blessure au dos ou d'autres blessures.

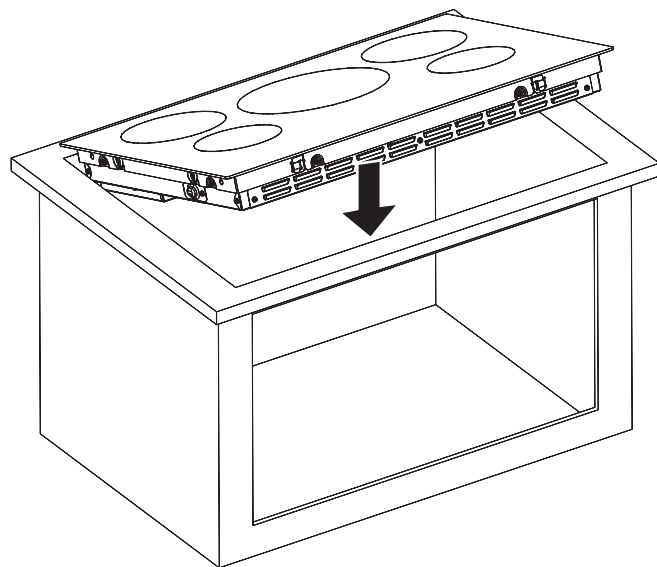
1. À deux personnes ou plus, placer la table de cuisson à l'envers sur une surface couverte en utilisant les cornières en polystyrène de l'emballage.
2. Facultatif – Enlever le rouleau de mousse du sachet de documentation. Appliquer le côté adhésif de la bande de mousse autour du fond de la table de cuisson

**REMARQUE :** la mousse protège des débris la face inférieure du verre de la table de cuisson et l'aide à reposer à plat sur des plans de travail irréguliers.



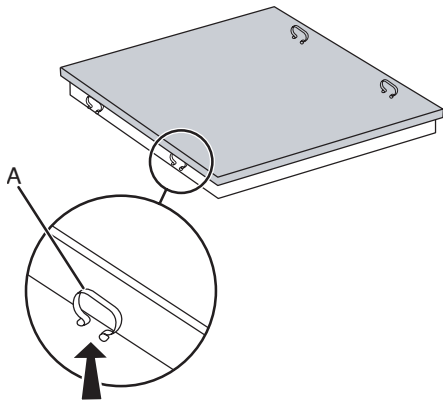
A. Base de la table de cuisson  
B. Le ruban  
C. Ensemble en verre

3. Abaisser la table de cuisson jusqu'à l'ouverture découpée en inclinant l'extrémité arrière de la table de cuisson vers le bas.



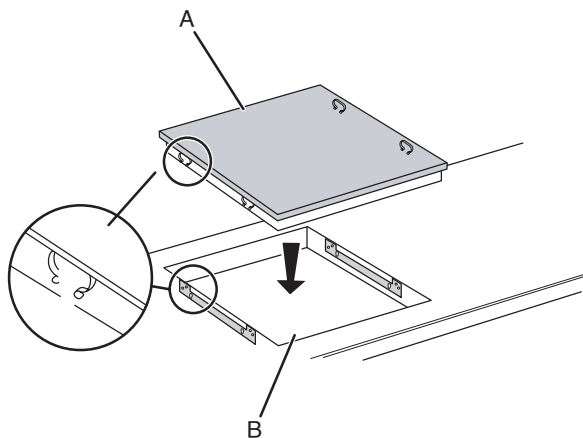
Avant

4. S'assurer que les attaches de chaque côté de la table de cuisson s'alignent avec les supports dans l'ouverture.



A. Collier

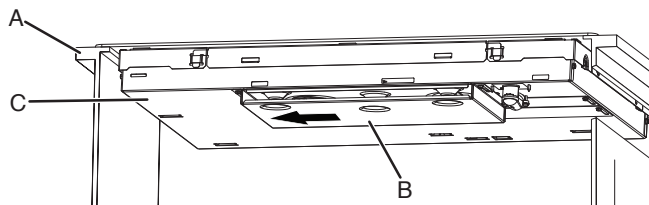
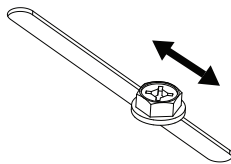
5. Appuyer sur la table de cuisson pour emboîter les attaches de la table de cuisson sur les supports installés dans l'ouverture.



A. Table de cuisson à induction

B. Ouverture de la table de cuisson

6. Sur la face inférieure de la table de cuisson, desserrer uniquement les 6 ou 7 vis pour les modèles de 24 po, 30 po et 36 po sur la glissière indiquée dans l'image ci-dessous (les modèles avec 4 zones de cuisson nécessitent 6 vis tandis que les modèles avec 5 zones de cuisson nécessitent 7 vis).



A. Côté de l'armoire

B. Glissière de la table de cuisson

C. Fond de la table de cuisson

7. Enfoncer la glissière du conduit vers le côté du placard jusqu'à ce que la glissière et le placard se touchent.  
8. Serrer les vis sur la glissière.

## Raccordement électrique

### ⚠ AVERTISSEMENT



#### Risque de choc électrique

Déconnecter la source de courant électrique avant d'entreprendre le travail.

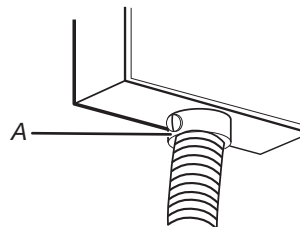
Utiliser du fil en cuivre de calibre 8.

Relier la table de cuisson à la terre.

**Le non-respect de ces instructions peut causer un décès, un incendie ou un choc électrique.**

Un conducteur vert (ou nu) de liaison à la terre est connecté au châssis de la table de cuisson lors de la fabrication.

1. Débrancher l'alimentation.
2. Le cas échéant, enlever le couvercle du boîtier de connexion.
3. Brancher le conduit de câble flexible du four au boîtier de connexion en utilisant un connecteur de conduit (homologation UL ou CSA).



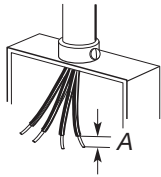
A. Connecteur de conduit (homologation UL ou CSA)

4. Serrer les vis du connecteur de conduit, le cas échéant.
5. Voir le « Tableau des options de raccordement électrique » pour terminer l'installation correspondant à votre type de raccordement électrique.

## Tableau des options de raccordement électrique

**Si le domicile comporte :**      **Voir la section :**

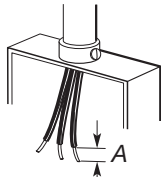
4 conducteurs



A. 1/2 po (1,3 cm)

Câble à 4 conducteurs depuis l'alimentation électrique du domicile

3 conducteurs

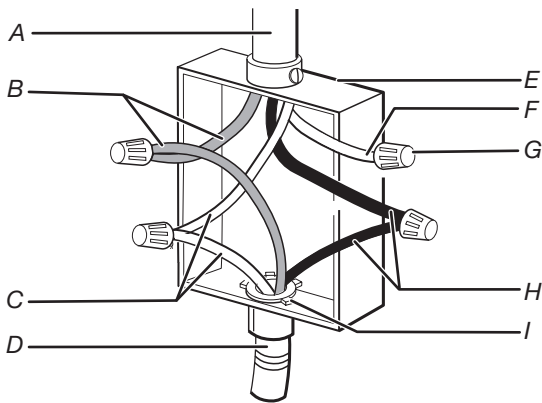


A. 1/2 po (1,3 cm)

Câble à 3 conducteurs depuis l'alimentation électrique du domicile

### Câble à 4 conducteurs depuis l'alimentation électrique du domicile

**IMPORTANT :** utiliser le câble à 4 conducteurs provenant de l'alimentation électrique du domicile aux États-Unis lorsque les codes ne permettent pas la mise à la terre par l'intermédiaire du conducteur neutre, en cas de nouvelle installation avec alimentation par un circuit secondaire (1996 NEC), dans les résidences mobiles et les véhicules récréatifs, dans une nouvelle construction et au Canada.



- |   |  |
|---|--|
| A. Câble depuis l'alimentation électrique du domicile | F. Conducteur blanc (depuis l'alimentation électrique du domicile) |
| B. Conducteurs rouges                                 | G. Capuchon de connexion (homologation UL)                         |
| C. Conducteurs verts (ou nus) de liaison à la terre   | H. Conducteurs noirs   |
| D. Câble à 3 conducteurs depuis la table de cuisson   | I. Connecteur de conduit (homologation UL ou CSA) avec passe-fils  |
| E. Boîtier de raccordement électrique                 |  |

1. Connecter ensemble les 2 conducteurs rouges (B) avec un capuchon de connexion (homologation UL).
2. Connecter le conducteur vert (ou nu) de liaison à la terre (C) du câble de la table de cuisson avec le conducteur vert (ou nu) de liaison à la terre (dans le boîtier de connexion) avec un capuchon de connexion (homologation UL).

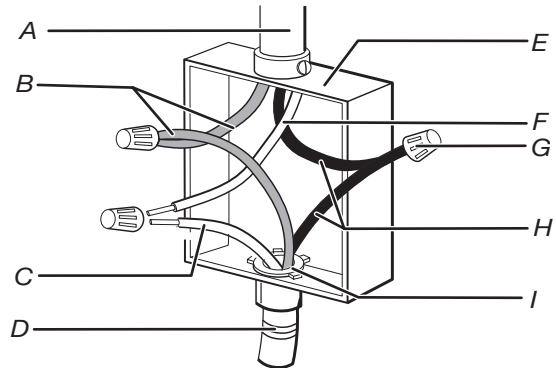
3. Placer un capuchon de connexion (homologation UL) à l'extrémité du conducteur blanc (F).

**REMARQUE :** ne pas connecter le conducteur vert (ou nu) de liaison à la terre au conducteur neutre (blanc) dans le boîtier de connexion.

4. Connecter ensemble les 2 conducteurs noirs (H) avec un capuchon de connexion (homologation UL).
5. Installer le couvercle du boîtier de connexion.

### Câble à 3 conducteurs depuis l'alimentation électrique du domicile – É.-U. seulement

**IMPORTANT :** Utiliser le câble à 3 conducteurs depuis l'alimentation électrique du domicile lorsque les codes locaux autorisent un tel raccordement.



- |   |  |
|---|--|
| A. Câble depuis l'alimentation électrique du domicile                       | F. Conducteur blanc (depuis l'alimentation électrique du domicile) |
| B. Conducteurs rouges   | G. Capuchon de connexion (homologation UL)                         |
| C. Conducteur vert (ou nu) de liaison à la terre depuis la table de cuisson | H. Conducteurs noirs   |
| D. Câble à 3 conducteurs depuis la table de cuisson                         | I. Connecteur de conduit (homologation UL ou CSA) avec passe-fils  |
| E. Boîtier de raccordement électrique                                       |  |

1. Connecter ensemble les 2 conducteurs rouges (B) avec un capuchon de connexion (homologation UL).
2. Connecter le conducteur vert (ou nu) de la table de cuisson au conducteur blanc (neutre) (F) dans le boîtier de connexion avec un capuchon de connexion (homologation UL).
3. Connecter ensemble les 2 conducteurs noirs (H) avec un capuchon de connexion (homologation UL).
4. Installer le couvercle du boîtier de connexion.

## Achever l'installation

1. Vérifier que toutes les pièces sont maintenant installées. S'il y a des pièces supplémentaires, relire les étapes pour savoir quelle étape a été passée.
2. Vérifier la présence de tous les outils.
3. Éliminer/recycler tous les matériaux d'emballage.
4. Avant d'utiliser la table de cuisson, utiliser une solution douce de nettoyant domestique et d'eau tiède pour la nettoyer. Sécher soigneusement au moyen d'un chiffon doux. Pour plus d'informations, consulter la section « Entretien de la cuisinière » dans le guide des commandes.
5. Lire le point « Utilisation de la table de cuisson » de la section Guide des commandes.
6. Rebrancher l'alimentation.

**REMARQUE** : si la table de cuisson ne fonctionne pas après la mise sous tension, vérifier que le disjoncteur ne s'est pas déclenché ou que les fusibles ne sont pas grillés. Voir la section « Dépannage » dans le Guide des commandes pour obtenir plus de renseignements.

**Pour obtenir de l'assistance ou une visite de service :**

Consulter la section « Assistance ou service » du Guide de démarrage rapide ou contacter le détaillant chez qui vous avez acheté votre table de cuisson.

## NOTES

## NOTES

## NOTES

## NOTES

## NOTES

## NOTES

## NOTES