

JENN-AIR® 36" and 42" (91.4 cm and 106.7 cm) Island Range Hood

PRODUCT MODEL NUMBERS

JX18236W JX18242W

Electrical: 120-volt, 60-Hz, AC-only, 15-amp, fused electrical circuit is required.

VENTING REQUIREMENTS

This island hood is factory set for venting through the roof.

An 8" (20.3 cm) round vent system is needed for installation (not included). The hood exhaust opening is 8" (20.3 cm) round.

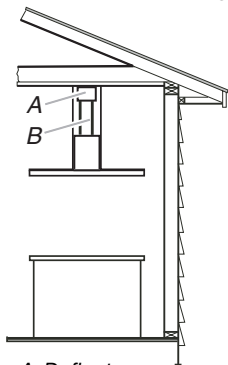
NOTE: Flexible vent is not recommended. Flexible vent creates back pressure and air turbulence that greatly reduce performance.

Vent system can terminate either through the roof or wall. To vent through a wall, a 90° elbow is needed.

For Non-Vented (recirculating) Installations

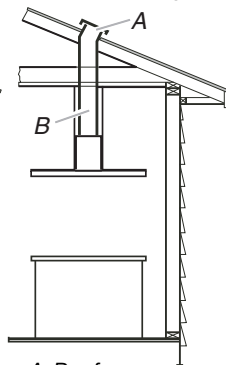
If it is not possible to vent cooking fumes and vapors to the outside, the hood can be used in the non-vented (recirculating) version, fitting a charcoal filter and the deflector. Fumes and vapors are recycled through the top of the grille. To order, see the "Assistance or Service" section.

Non-vented (recirculating)



A. Deflector
B. 8" (20.3 cm) round vent

Roof Venting



A. Roof cap
B. 8" (20.3 cm) round vent

NOTE: Wall venting can be an option for 2-story homes.

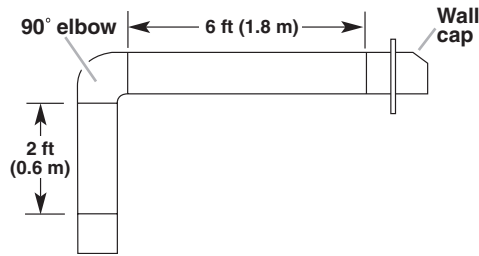
Calculating Vent System Length

To calculate the length of the system you need, add the equivalent feet (meters) for each vent piece used in the system.

Vent piece	8" (20.3 cm) round
45° elbow	2.5 ft (0.8 m)
90° elbow	5.0 ft (1.5 m)

Maximum equivalent vent length is 35 ft (10.7 m).

Example vent system



The following example falls within the maximum vent length of 35 ft (10.7 m).

1 - 90° elbow	= 5.0 ft (1.5 m)
1 - wall cap	= 0.0 ft (0.0 m)
8 ft (2.4 m) straight	= 8.0 ft (2.4 m)
System length	= 13 ft (3.9 m)

LOCATION REQUIREMENTS

IMPORTANT: Observe all governing codes and ordinances.

Have a qualified technician install the range hood. It is the installer's responsibility to comply with installation clearances specified on the model/serial rating plate. The model/serial rating plate is located behind the left filter on the rear wall of the vent hood.

Canopy hood location should be away from strong draft areas, such as windows, doors and strong heating vents.

Cabinet opening dimensions that are shown must be used. Given dimensions provide minimum clearance.

Grounded electrical outlet is required. See "Electrical Requirements" section.

Because of the size and weight of this island hood, the chimney support must be securely attached to the ceiling.

- For plaster or drywall ceilings, the chimney support must be attached to joists. If this is not possible, you must build a support structure behind the plaster or drywall. The support structure must be able to support 80 lbs (36.6 kg).

The range hood is factory set for venting through the roof or wall.

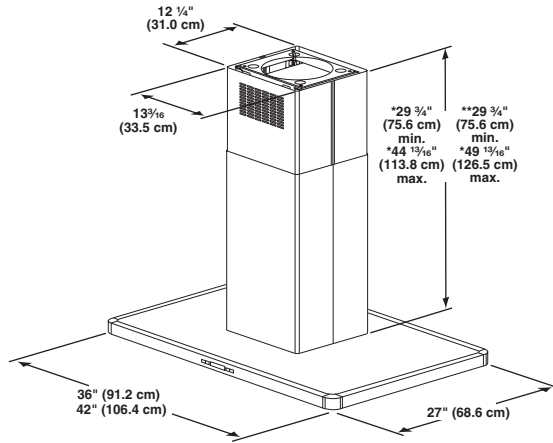
For non-vented (recirculating) Installation see "Non-vented (recirculating) Installations" in "Connect Vent System" section. Recirculating Kit Part Number W10272061 is available from your dealer or an authorized parts distributor.

All openings in ceiling and wall where range hood will be installed must be sealed.

For Mobile Home Installations

The installation of this range hood must conform to the Manufactured Home Construction Safety Standards, Title 24 CFR, Part 328 (formerly the Federal Standard for Mobile Home Construction and Safety, Title 24, HUD, Part 280) or when such standard is not applicable, the standard for Manufactured Home Installation 1982 (Manufactured Home Sites, Communities and Setups) ANSI A225.1/NFPA 501A, or latest edition, or with local codes.

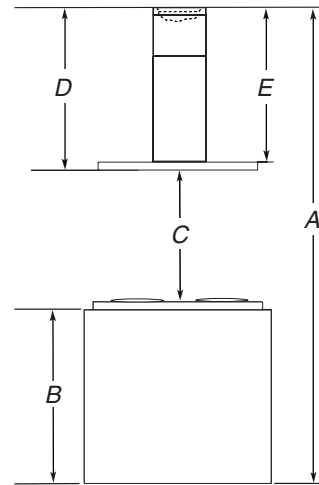
PRODUCT DIMENSIONS



*Vented installations only

**Non-vented (recirculating) installations only

INSTALLATION DIMENSIONS



A. Ceiling height

B. Countertop height

C. Hood height: 24" (61.0 cm) min. from electric cooking surface, 27" (68.6 cm) min. from gas cooking surface, suggested 36" (91.2 cm) max.

D. Hood height from ceiling to bottom of the range hood: $A - B - C = D$

E. $D - 2 \frac{3}{8}$ " (6.0 cm) chimney assembly height

IMPORTANT:

Minimum distance "C": 24" (61.0 cm) from electric cooking surface, 27" (68.6 cm) from gas cooking surface
Suggested maximum distance "C": 36" (91.4 cm)

For vented installations, the chimneys can be adjusted for ceilings between 7' 11" (2.41 m) and 9' 9" (2.97 m).

For non-vented (recirculating) installations, the chimneys can be adjusted for ceilings between 7' 11" (2.41 m) and 10' 1" (3.07 m).

***NOTE:** The range hood chimneys are adjustable and designed to meet varying ceiling or soffit heights depending on the distance "X" between the bottom of the range hood and the cooking surface. For higher ceilings, a Stainless Steel Chimney Extension Kit Part Number W10272078 is available from your dealer or an authorized parts distributor. The chimney extension replaces the upper chimney shipped with the range hood.