

# INSTALLATION INSTRUCTIONS 27" (68.6 CM) AND 30" (76.2 CM) ELECTRIC BUILT-IN MICROWAVE/OVEN COMBINATION

# INSTRUCTIONS D'INSTALLATION FOUR À MICRO-ONDES ET FOUR CONVENTIONNEL ÉLECTRIQUES COMBINÉS ET ENCASTRÉS DE 27" (68,6 CM) ET 30" (76,2 CM)

---

## Table of Contents / Table des matières

<b>BUILT-IN MICROWAVE/OVEN COMBINATION SAFETY</b> .....	2	<b>SÉCURITÉ DU FOUR À MICRO-ONDES ET DU FOUR CONVENTIONNEL COMBINÉS ET ENCASTRÉS</b> .....	9
<b>INSTALLATION REQUIREMENTS</b> .....	2	<b>EXIGENCES D'INSTALLATION</b> .....	9
Tools and Parts .....	2	Outillage et pièces .....	9
Location Requirements .....	2	Exigences d'emplacement .....	9
Electrical Requirements .....	4	Spécifications électriques.....	11
<b>INSTALLATION INSTRUCTIONS</b> .....	5	<b>INSTRUCTIONS D'INSTALLATION</b> .....	12
Prepare Built-In Microwave/Oven Combination.....	5	Préparation de l'ensemble des fours encastrés (micro-ondes/conventionnel).....	12
Remove Oven Door.....	5	Dépose de la porte du four.....	12
Make Electrical Connection.....	5	Raccordement électrique .....	12
Install Oven.....	7	Installation du four .....	14
Complete Installation .....	8	Achever l'installation .....	16

---

### IMPORTANT:

Save for local electrical inspector's use.

### IMPORTANT :

À conserver pour consultation par l'inspecteur local des installations électriques.

# BUILT-IN MICROWAVE/OVEN COMBINATION SAFETY

## Your safety and the safety of others are very important.

We have provided many important safety messages in this manual and on your appliance. Always read and obey all safety messages.



This is the safety alert symbol.

This symbol alerts you to potential hazards that can kill or hurt you and others.

All safety messages will follow the safety alert symbol and either the word "DANGER" or "WARNING." These words mean:

**DANGER**

You can be killed or seriously injured if you don't immediately follow instructions.

**WARNING**

You can be killed or seriously injured if you don't follow instructions.

All safety messages will tell you what the potential hazard is, tell you how to reduce the chance of injury, and tell you what can happen if the instructions are not followed.

## INSTALLATION REQUIREMENTS

### Tools and Parts

Gather the required tools and parts before starting installation. Read and follow the instructions provided with any tools listed here.

#### Tools needed

- Adjustable wrench or 5/8" wrench
- Phillips screwdriver
- Flat-blade screwdriver
- Measuring tape
- Drill (for wall cabinet installations)
- 1 1/4" (3.4 cm) drill bit (for wall cabinet installations)
- Level

#### Parts needed

- UL listed or CSA approved conduit connector
- UL listed wire connectors

#### Parts supplied

- Six # 8-14 x 3/4" screws
- Bottom vent
- Two # 8-18 x 3/8" screws - bottom vent

Check local codes. Check existing electrical supply. See "Electrical Requirements."

It is recommended that all electrical connections be made by a licensed, qualified electrical installer.

### Location Requirements

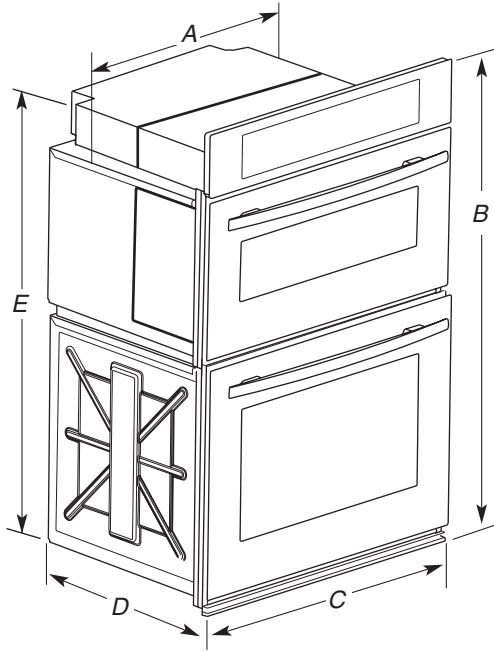
Make sure you have everything needed for correct installation.

**IMPORTANT:** Observe all governing codes and ordinances.

- Cabinet opening dimensions that are shown must be used. Given dimensions provide minimum clearance with oven.
- Recessed installation area must provide complete enclosure around the recessed portion of the oven.
- Grounded electrical supply is required. See "Electrical Requirements" section.
- Electrical supply junction box should be located 3" (7.6 cm) maximum below the support surface when the oven is installed in a wall cabinet. A 1 1/4" (3.4 cm) minimum diameter hole should have been drilled only in the left rear corner of the support surface to pass the appliance cable through to the junction box.
- Oven support surface must be solid, level and flush with bottom of cabinet cutout. Floor must be able to support a total weight of (microwave and built-in oven) of 249 lbs (113 kg) for 30" (76.2 cm) oven and 236 lbs (107 kg) for 27" (68.6 cm) oven.

**IMPORTANT:** To avoid damage to your cabinets, check with your builder or cabinet supplier to make sure that the materials used will not discolor, delaminate or sustain other damage. This oven has been designed in accordance with the requirements of UL and CSA International and complies with the maximum allowable wood cabinet temperatures of 194° (90°C).

## Product Dimensions



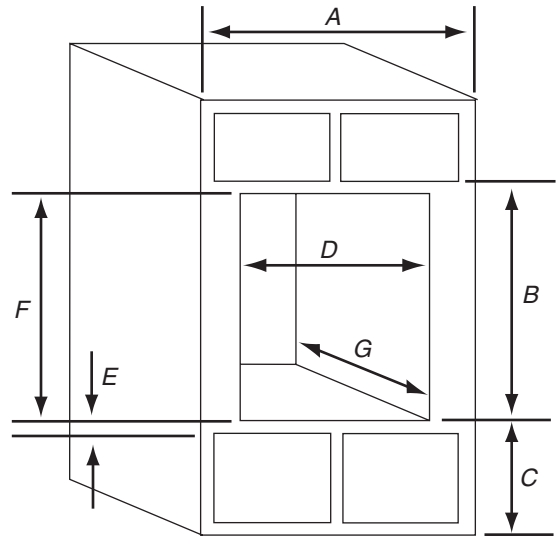
### 27" (68.6 cm) models

- A. 25 1/4" (64.1 cm) max. recessed width
- B. 43 1/16" (109.4 cm) max. overall height
- C. 26 3/4" (67.9 cm) max. overall width
- D. 23 5/8" (60.0 cm) max. overall depth
- E. 41" (104.2 cm) max. recessed height

### 30" (76.2 cm) models

- A. 28" (71.1 cm) max. recessed width
- B. 43 1/16" (109.4 cm) max. overall height
- C. 29 3/4" (75.6 cm) max. overall width
- D. 23 5/8" (60.0 cm) max. overall depth
- E. 41" (104.2 cm) max. recessed height

## Cabinet Dimensions



### 27" (68.6 cm) models

- A. 27" (68.6 cm) min. cabinet width
- B. 43 5/16" (110.0 cm) from bottom of cutout to bottom of upper cabinet door
- C. 19 1/4" (48.9 cm) recommended bottom of cutout to floor. 4" (10.2 cm) to 19 1/4" (48.9 cm) bottom of cutout to floor is acceptable.
- D. 25 1/2" (64.8 cm) cutout width
- E. 1 1/2" (3.8 cm) min. bottom of cutout to top of cabinet door
- F. 41 1/4" (104.8 cm) cutout height
- G. 24" (61.0 cm) minimum cutout depth

### 30" (76.2 cm) models

- A. 30" (76.2 cm) min. cabinet width
- B. 43 5/16" (110.0 cm) from bottom of cutout to bottom of upper cabinet door
- C. 19 1/4" (48.9 cm) recommended bottom of cutout to floor. 4" (10.2 cm) to 19 1/4" (48.9 cm) bottom of cutout to floor is acceptable.
- D. 28 1/2" (72.4 cm) cutout width
- E. 1 1/2" (3.8 cm) min. bottom of cutout to top of cabinet door
- F. 41 1/4" (104.8 cm) cutout height
- G. 24" (61.0 cm) minimum cutout depth

## Electrical Requirements

If codes permit and a separate ground wire is used, it is recommended that a qualified electrical installer determine that the ground path and the wire gauge are in accordance with local codes.

Check with a qualified electrical installer if you are not sure the oven is properly grounded.

This oven must be connected to a grounded metal, permanent wiring system.

Be sure that the electrical connection and wire size are adequate and in conformance with the National Electrical Code, ANSI/NFPA 70-latest edition or CSA Standards C22.1-94, Canadian Electrical Code, Part 1 and C22.2 No. O-M91-latest edition, and all local codes and ordinances.

A copy of the above code standards can be obtained from:

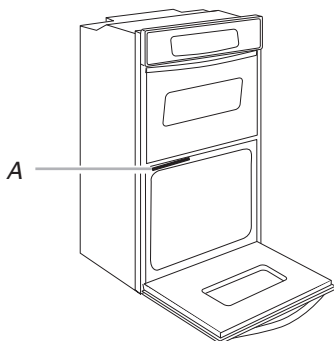
National Fire Protection Association  
One Batterymarch Park  
Quincy, MA 02269

CSA International  
8501 East Pleasant Valley Road  
Cleveland, OH 44131-5575

### Electrical Connection

To properly install your oven, you must determine the type of electrical connection you will be using and follow the instructions provided for it here.

- Oven must be connected to the proper electrical voltage and frequency as specified on the model/serial number rating plate. The model/serial number rating plate is located near center vent of the lower oven. See the following illustration.



A. Model/serial number plate (located on underside of center vent)

- Models rated from 7.3 to 9 kW at 240 volts (5.4 to 7.4 kW at 208 volts) require a separate 40-amp circuit. Models rated at 4.8 kW and below at 240 volts (3.6 kW and below at 208 volts) require a separate 20-amp circuit.
- A circuit breaker is recommended.
- Connect directly to the fused disconnect (or circuit breaker box) through flexible, armored or nonmetallic sheathed, copper cable (with grounding wire). See "Make Electrical Connection" section.
- Flexible conduit from the oven should be connected directly to the junction box.
- Do not cut the conduit. The length of conduit provided is for serviceability of the oven.
- A UL listed or CSA approved conduit connector must be provided.
- If the house has aluminum wiring follow the procedure below:
  1. Connect a section of solid copper wire to the pigtail leads.
  2. Connect the aluminum wiring to the added section of copper wire using special connectors and/or tools designed and UL listed for joining copper to aluminum.

Follow the electrical connector manufacturer's recommended procedure. Aluminum/copper connection must conform with local codes and industry accepted wiring practices.

# INSTALLATION INSTRUCTIONS

## Prepare Built-In Microwave/Oven Combination

1. Decide on the final location for the oven. Avoid drilling into or severing wiring during installation.

### **⚠ WARNING**

#### **Excessive Weight Hazard**

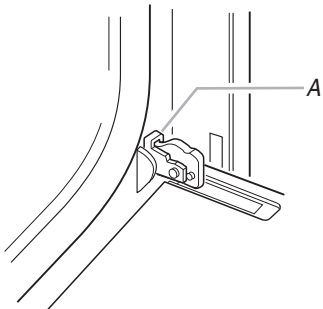
**Use two or more people to move and install oven.  
Failure to do so can result in back or other injury.**

2. To avoid floor damage, set the oven onto cardboard prior to installation. Do not use handle or any portion of the front frame for lifting.
3. Remove the shipping materials and tape from the oven.
4. Remove the hardware package from inside the bag containing literature.
5. Remove and set aside racks and other parts from inside the oven.
6. Move oven and cardboard close to the oven's final location.

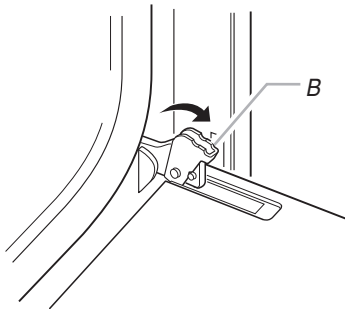
## Remove Oven Door

**IMPORTANT:** Use both hands to remove oven door(s).

1. Open the oven door to the full open position.
2. Locate the oven door latches in both corners of the oven door, and rotate the latches forward to the unlocked position.

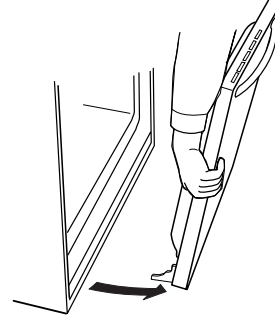


A. Oven door latch in locked position



B. Oven door latch in unlocked position

3. Grasp the edges of the oven door with both hands and close the oven door until it will no longer close. Lift and pull oven door toward you and remove. Set the oven door(s) aside on a covered work surface.



## Make Electrical Connection

### **⚠ WARNING**



#### **Electrical Shock Hazard**

**Disconnect power before servicing.**

**Use 8 gauge solid copper wire.**

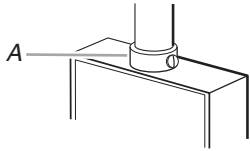
**Electrically ground oven.**

**Failure to follow these instructions can result in death, fire, or electrical shock.**

This oven is manufactured with a neutral (white) power supply wire and a cabinet-connected green (or bare) ground wire twisted together.

1. Disconnect power.
2. Feed the flexible conduit from the oven through the opening in the cabinet.
3. Remove junction box cover, if it is present.

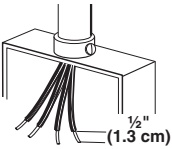
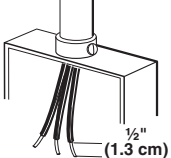
4. Install a UL listed or CSA approved conduit connector to the junction box.



A. UL listed or CSA approved conduit connector

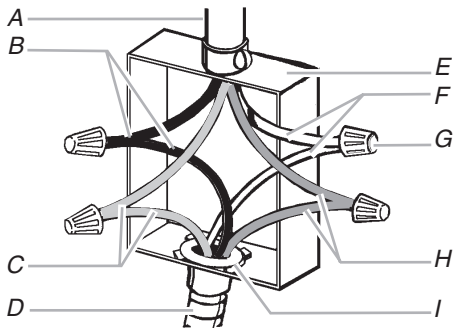
5. Route the flexible conduit from the oven to the junction box through a UL listed or CSA approved conduit connector.
6. Tighten screws on conduit connector.
7. See "Electrical Connection Options Chart" to complete installation for your type of electrical connection.

### Electrical Connection Options Chart

If your home has:	Go to section:
4-wire 	4-wire Cable from Home Power Supply
3-wire 	3-wire Cable from Home Power Supply

### 4-Wire Cable from Home Power Supply

**IMPORTANT:** Use the 4-wire cable from home power supply in the U.S. where local codes do not allow grounding through neutral, New Branch circuit installations (1996 NEC), mobile homes and recreational vehicles, new construction and in Canada.

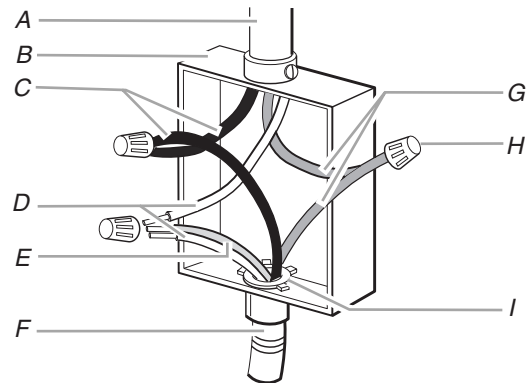


- |                                      |  |
|--------------------------------------|--|
| A. Cable from home power supply      | F. White wires                                 |
| B. Black wires                       | G. UL listed wire connectors                   |
| C. Red wires                         | H. Green (or bare) ground wires                |
| D. 4-wire flexible conduit from oven | I. UL listed or CSA approved conduit connector |
| E. Junction box                      |  |

1. Connect the 2 black wires (B) together using a UL listed wire connector.
2. Connect the 2 red wires (C) together using a UL listed wire connector.
3. Untwist white wire from green (or bare) ground wire coming from the oven.
4. Connect the 2 white wires (F) together using a UL listed wire connector.
5. Connect the green (or bare) ground wire (H) from the oven cable to the green (or bare) ground wire (in the junction box) using a UL listed wire connector.
6. Install junction box cover.

### 3-Wire Cable from Home Power Supply - U.S. Only

**IMPORTANT:** Use the 3-wire cable from home power supply where local codes permit a 3-wire connection.



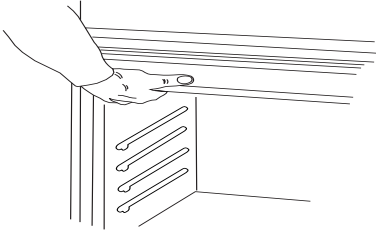
- |  |  |
|--|--|
| A. Cable from home power supply            | F. 4-wire flexible conduit from oven           |
| B. Junction box                            | G. Red wires                                   |
| C. Black wires                             | H. UL listed wire connectors                   |
| D. White wires                             | I. UL listed or CSA approved conduit connector |
| E. Green (or bare) ground wire (from oven) |  |

1. Connect the 2 black wires (C) together using a UL listed wire connector.
2. Connect the 2 white wires (D) and the green (or bare) ground wire (of the oven cable) using a UL listed wire connector.
3. Connect the 2 red wires (G) together using a UL listed wire connector.
4. Install junction box cover.

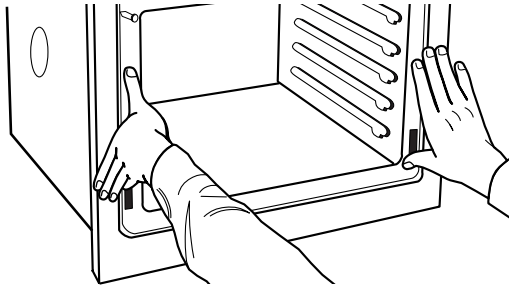
## Install Oven

1. Using 2 or more people, lift oven partially into cabinet cutout. Use the oven opening as an area to grip.

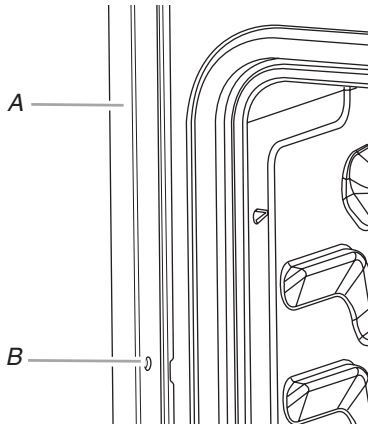
**NOTE:** Push against seal area of oven front frame when pushing oven into cabinet. Do not push against outside edges.



2. Push oven completely into cabinet and center oven into cabinet cutout.

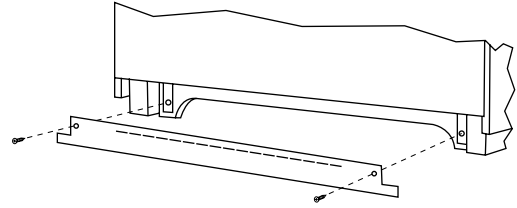


3. Securely fasten oven to cabinet using the # 8-14 x 3/4" screws provided. Insert the screws through holes in decorative trim. Do not overtighten screws.



A. Decorative trim  
B. Insert screw.

4. The bottom vent is taped to the top of the oven chassis enclosure. See the following instructions to install.
  - Align mounting hole in bottom vent to holes in the oven frame.
  - With one #8-18 x 3/8" screw for each side of the vent, fasten vent securely to the oven frame.



**IMPORTANT:** Do not block air intake along bottom of oven.

5. Replace oven racks.
6. Grasp door at each side.
7. Replace oven door by aligning and inserting ends of hinges into hinge slots in the oven frame.
8. Push hinges in as far as they will go and open the oven door to the fully open position. You should feel the oven door drop into place.
9. Move the latches back to the locked position.
10. Check that door is free to open and close. If it is not, repeat the removal and installation procedures. See "Remove Oven Door" section.
11. Reconnect power.
12. Display panel will light briefly, and the clock should appear in the display.
13. If display panel does not light, please reference the "Assistance or Service" section of the Use and Care Guide or contact the dealer from whom you purchased your oven.

---

## Complete Installation

1. Check that all parts are now installed. If there is an extra part, go back through the steps to see which step was skipped.
2. Check that you have all of your tools.
3. Dispose of/recycle all packaging materials.
4. For oven use and cleaning, read the Use and Care Guide.

### Check Operation of Lower Oven

1. Turn power on.
2. At first use, set up the language, regional settings, clock, date and screen appearance. For more details, read the Use and Care Guide.
3. Press OVEN.
4. Touch BROIL.
5. Set the temperature.
6. Touch START.

#### If oven(s) does not operate, check the following:

- Household fuse is intact and tight; or circuit breaker has not tripped.
  - Electrical supply is connected.
  - See “Troubleshooting” section in the Use and Care Guide.
7. When oven has been on for 5 minutes, feel for heat. If you do not feel heat or if an error message appears in the display, turn off the oven and contact qualified technician.
  8. Touch CANCEL OVEN.

### Check Operation of Microwave Oven

1. Fill a microwave-safe container with 1 cup (250 mL) of water and place container inside microwave oven. Close door firmly.
2. From the main menu press microwave or open microwave oven door.
3. Touch COOK.
4. Set power level, temperature and cook time to “2:00” minutes.
5. Touch START.

#### If microwave oven does not operate, check the following:

- Household fuse is intact and tight; or circuit breaker has not tripped.
- Electrical supply is connected.
- See “Troubleshooting” section in the Use and Care Guide.

When display reads “1:00” minute, open microwave oven door. The microwave oven should stop cooking. Close door firmly. The interior microwave oven light should turn off.

6. Touch START to resume a preset cycle. The microwave oven should begin cooking, and the microwave oven interior light should be on. Let microwave oven complete cooking time. Tones will sound at the end of the cooking time, and the microwave oven will shut off.
7. Open microwave oven door and slowly remove container. Water in container should be hot. To set the clock and other oven functions, refer to the Use and Care Guide.

#### If you need Assistance or Service:

Please reference the “Assistance or Service” section of the Use and Care Guide or contact the dealer from whom you purchased your built-in and microwave ovens.

# SÉCURITÉ DU FOUR À MICRO-ONDES ET DU FOUR CONVENTIONNEL COMBINÉS ET ENCASTRÉS

## Votre sécurité et celle des autres est très importante.

Nous donnons de nombreux messages de sécurité importants dans ce manuel et sur votre appareil ménager. Assurez-vous de toujours lire tous les messages de sécurité et de vous y conformer.



Voici le symbole d'alerte de sécurité.

Ce symbole d'alerte de sécurité vous signale les dangers potentiels de décès et de blessures graves à vous et à d'autres.

Tous les messages de sécurité suivront le symbole d'alerte de sécurité et le mot "DANGER" ou "AVERTISSEMENT". Ces mots signifient :

**⚠ DANGER**

Risque possible de décès ou de blessure grave si vous ne suivez pas immédiatement les instructions.

**⚠ AVERTISSEMENT**

Risque possible de décès ou de blessure grave si vous ne suivez pas les instructions.

Tous les messages de sécurité vous diront quel est le danger potentiel et vous disent comment réduire le risque de blessure et ce qui peut se produire en cas de non-respect des instructions.

## EXIGENCES D'INSTALLATION

### Outillage et pièces

Rassembler les outils et pièces nécessaires avant de commencer l'installation. Lire et suivre les instructions fournies avec les outils indiqués ici.

#### Outillage nécessaire

- Clé à molette ou clé de 5/8"
- Tournevis Phillips
- Tournevis à lame plate
- Mètre ruban
- Perceuse (pour l'installation dans un placard mural)
- Foret de 1 1/4" (3,4 cm) (pour l'installation dans un placard mural)
- Niveau

#### Pièces nécessaires

- Connecteur de conduit (homologation UL ou CSA)
- Connecteurs de fils (homologation UL)

#### Pièces fournies

- Vis n° 8-14 x 3/4"
- Évent du fond
- Deux vis n° 8-18 x 3/8" - évent du fond

Consulter les codes locaux. Vérifier l'alimentation électrique existante. Voir "Spécifications électriques".

Il est recommandé de faire réaliser tous les raccordements électriques par un électricien qualifié agréé.

### Exigences d'emplacement

S'assurer d'avoir tout le nécessaire pour une installation convenable.

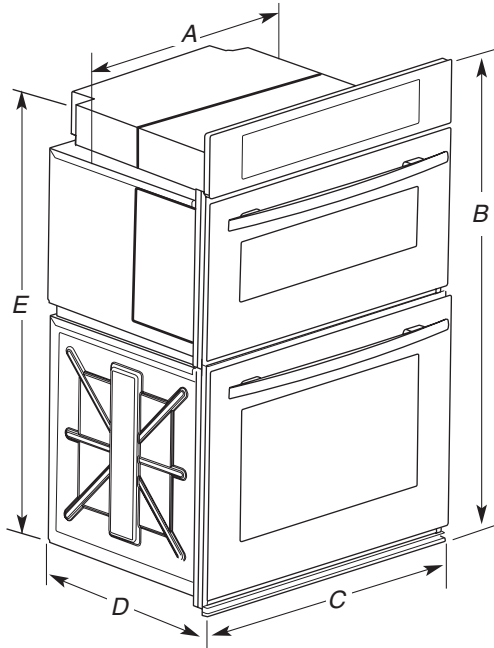
**IMPORTANT** : Observer les dispositions de tous les codes et règlements en vigueur.

- Respecter les dimensions indiquées pour les ouvertures à découper dans les placards. Ces dimensions tiennent compte des dégagements de séparation nécessaires pour le four.
- L'espace d'installation doit permettre la formation d'une enceinte complète autour de la partie encastrée du four.
- Une source d'électricité avec liaison à la terre est nécessaire. Voir la section "Spécifications électriques".

- Le boîtier de connexion doit être situé à 3" (7,6 cm) maximum au-dessous de la surface de support lorsque le four est installé dans un placard mural. Un trou de diamètre minimal de 1 1/4" (3,4 cm) doit avoir été percé uniquement dans l'angle arrière gauche de la surface de support pour le passage du câble d'alimentation de l'appareil jusqu'au boîtier de connexion.
- La surface de support du four doit être robuste, horizontale et en affleurement avec le bas de l'ouverture découpée dans le placard. Le plancher doit être capable de supporter un poids total (four à micro-ondes et four encastré) de 249 lb (113 kg) pour le four de 30" (76,2 cm) et de 236 lb (107 kg) pour le four de 27" (68,6 cm).

**IMPORTANT :** Pour éviter tout dommage, consulter le constructeur ou le fabricant du placard pour déterminer si les matériaux utilisés ne subiront pas un changement de couleur, une déstratification ou d'autres dommages. Ce four a été conçu conformément aux exigences UL et aux normes de la CSA International; il respecte la température maximale autorisée pour les placards en bois : 194°F (90°C).

## Dimensions du produit



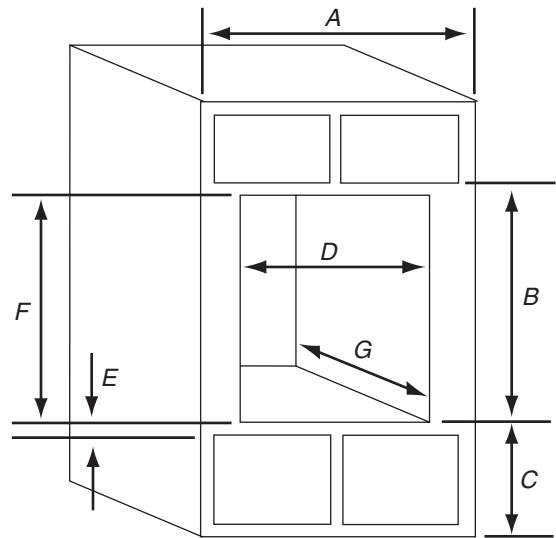
### Modèles de 27" (68,6 cm)

- A. 25 $\frac{1}{4}$ " (64,1 cm) de largeur d'encastrement max.
- B. 43 $\frac{1}{16}$ " (109,4 cm) de hauteur totale max.
- C. 26 $\frac{3}{4}$ " (67,9 cm) de largeur totale max.
- D. 23 $\frac{5}{8}$ " (60,0 cm) de profondeur totale max.
- E. Hauteur de l'encastrement de 41" (104,2 cm) max.

### Modèles de 30" (76,2 cm)

- A. 28" (71,1 cm) de largeur d'encastrement max.
- B. 43 $\frac{1}{16}$ " (109,4 cm) de hauteur totale max.
- C. 29 $\frac{3}{4}$ " (75,6 cm) de largeur totale max.
- D. 23 $\frac{5}{8}$ " (60,0 cm) de profondeur totale max.
- E. Hauteur de l'encastrement de 41" (104,2 cm) max.

## Dimensions du placard



### Modèles de 27" (68,6 cm)

- A. 27" (68,6 cm) min. de largeur de placard
- B. 43 $\frac{5}{16}$ " (110,0 cm) du fond de l'encastrement au-dessous de la porte du placard supérieur
- C. Distance recommandée de 19 $\frac{1}{4}$ " (48,9 cm) entre le bas de l'ouverture et le plancher. Une distance de 4" (10,2 cm) à 19 $\frac{1}{4}$ " (48,9 cm) entre le bas de l'ouverture et le plancher est acceptable.
- D. 25 $\frac{1}{2}$ " (64,8 cm) Largeur de l'encastrement
- E. 1 $\frac{1}{2}$ " (3,8 cm) min. du fond de l'encastrement au-dessus de la porte du placard
- F. 41 $\frac{1}{4}$ " (104,8 cm) Hauteur d'encastrement
- G. 24" (61,0 cm) profondeur d'encastrement minimale

### Modèles de 30" (76,2 cm)

- A. 30" (76,2 cm) min. de largeur de placard
- B. 43 $\frac{5}{16}$ " (110,0 cm) du fond de l'encastrement au-dessous de la porte du placard supérieur
- C. Distance recommandée de 19 $\frac{1}{4}$ " (48,9 cm) entre le bas de l'ouverture et le plancher. Une distance de 4" (10,2 cm) à 19 $\frac{1}{4}$ " (48,9 cm) entre le bas de l'ouverture et le plancher est acceptable.
- D. 28 $\frac{1}{2}$ " [72,4 cm] Largeur de l'encastrement
- E. 1 $\frac{1}{2}$ " (3,8 cm) min. du fond de l'encastrement au-dessus de la porte du placard
- F. 41 $\frac{1}{4}$ " (104,8 cm) Hauteur d'encastrement
- G. 24" (61,0 cm) profondeur d'encastrement minimale

## Spécifications électriques

Si on utilise un conducteur distinct de liaison à la terre et lorsque les codes le permettent, il est recommandé qu'un électricien qualifié vérifie que la liaison à la terre et le calibre pour fils sont conformes aux codes locaux.

En cas de doute quant à la qualité de la liaison à la terre du four, consulter un électricien qualifié.

Ce four doit être raccordé à un système de câblage métallique permanent relié à la terre.

S'assurer que la connexion électrique et le calibre des fils sont appropriés et conformes au National Electrical Code, aux normes ANSI/NFPA 70 – dernière édition, ou aux normes CSA C22.1-94, au Code canadien de l'électricité, Partie 1 et C22.2 N° O-M91 – dernière édition, et à tous les codes et règlements locaux.

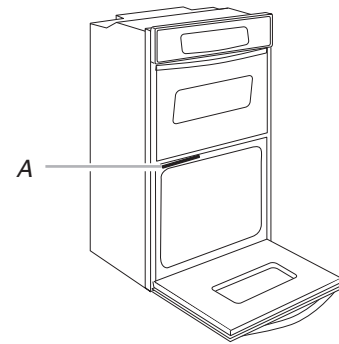
Pour obtenir un exemplaire des normes des codes ci-dessus, contacter :

National Fire Protection Association  
One Batterymarch Park  
Quincy, MA 02269  
CSA International  
8501 East Pleasant Valley Road  
Cleveland, OH 44131-5575

### Raccordement électrique

Pour installer le four correctement, il faut établir le type de raccords électriques que l'on utilisera et suivre les instructions indiquées ici.

- Le four doit être alimenté par une source d'électricité appropriée (caractéristiques de tension et fréquence spécifiées sur la plaque signalétique). La plaque signalétique est située à proximité de l'évent central du four inférieur. Voir l'illustration suivante.



A. Plaque signalétique  
(située sous l'évent central)

- Un modèle à 240 volts de 7,3 à 9 kW (208 volts de 5,4 à 7,4 kW) doit être alimenté par un circuit indépendant de 40 A. Un modèle à 240 volts de 4,8 kW ou moins (208 volts de 3,6 kW ou moins) doit être alimenté par un circuit indépendant de 20 A.
- L'emploi d'un disjoncteur est recommandé.
- Raccorder l'appareil directement au disjoncteur (ou tableau de distribution) par un câble flexible à conducteur de cuivre et gaine métallique blindée ou gaine non métallique (avec conducteur de liaison à la terre). Voir la section "Raccordement électrique".
- Le câble flexible du four doit être connecté directement dans le boîtier de connexion.
- Ne pas couper le câble. La longueur du câble fourni est destinée à faciliter l'entretien du four.
- L'installateur doit fournir un connecteur de conduit (homologation UL ou CSA).
- Si le domicile est équipé d'un câblage en aluminium, suivre les instructions suivantes :
  1. Raccorder une section de câble en cuivre massif aux conducteurs en queue de cochon.
  2. Connecter le câblage en aluminium à la section ajoutée de câblage en cuivre en utilisant des connecteurs et/ou des outils spécialement conçus et homologués UL pour fixer le cuivre à l'aluminium.

Suivre la procédure recommandée par le fabricant de connecteurs électriques. La connexion aluminium/cuivre doit être conforme aux codes locaux et aux pratiques de câblage acceptées par l'industrie.

# INSTRUCTIONS D'INSTALLATION

## Préparation du four à micro-ondes et du four conventionnel combinés et encastrés

1. Choisir l'emplacement final pour l'installation du four. Éviter de percer ou d'endommager le câblage lors de l'installation.

### **⚠ AVERTISSEMENT**

#### Risque du poids excessif

Utiliser deux ou plus de personnes pour déplacer et installer le four.

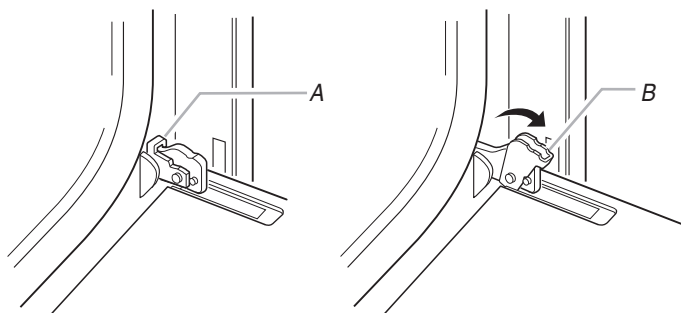
Le non-respect de cette instruction peut causer une blessure au dos ou d'autre blessure.

2. Pour éviter d'endommager le plancher, placer le four sur une feuille de carton avant l'installation. Lors des opérations de levage, ne pas prendre prise sur la poignée ou sur une autre partie du châssis avant.
3. Enlever les matériaux d'emballage et les rubans adhésifs du four.
4. Enlever le sachet de matériel à l'intérieur du sachet de documentation.
5. Enlever et conserver à part les grilles et autres composants qu'on trouve à l'intérieur du four.
6. Approcher le four et le carton de l'emplacement final du four.

## Dépose de la porte du four

**IMPORTANT :** Employer les deux mains pour enlever la/les porte(s) du four.

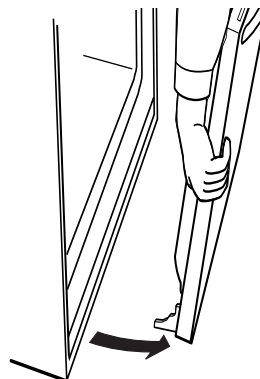
1. Ouvrir la porte du four jusqu'à sa position d'ouverture maximale.
2. Identifier les charnières de la porte du four dans les deux angles de la porte; faire pivoter les charnières vers l'avant jusqu'à la position de déverrouillage.



A. Loquet de porte du four en position de verrouillage

B. Loquet de porte du four en position de déverrouillage

3. Saisir les bords de la porte du four avec les deux mains et fermer la porte du four, jusqu'à la position où la fermeture de la porte n'est plus possible. Soulever et tirer la porte du four vers soi, et enlever la porte. Conserver la/les porte(s) du four à part sur une surface de travail couverte.



## Raccordement électrique

### **⚠ AVERTISSEMENT**



#### Risque de choc électrique

**Déconnecter la source de courant électrique avant l'entretien.**

**Utiliser du fil en cuivre rigide de calibre 8.**

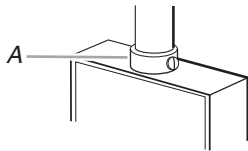
**Relier le four à la terre.**

**Le non-respect de ces instructions peut causer un décès, un incendie ou un choc électrique.**

Le câblage d'alimentation de ce four comporte un conducteur neutre (blanc) et un conducteur vert (ou nu) de liaison à la terre connecté à la caisse; ces deux conducteurs sont torsadés.

1. Déconnecter la source de courant électrique.
2. Faire passer le conduit de câble flexible depuis le four à travers l'ouverture dans le placard.
3. Le cas échéant, enlever le couvercle du boîtier de connexion.

4. Installer un connecteur de conduit (homologation UL ou CSA) sur le boîtier de connexion.



A. Connecteur de conduit (homologation UL ou CSA)

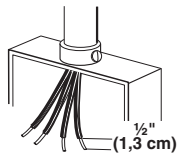
5. Acheminer le conduit de câble flexible depuis le four jusqu'au boîtier de connexion - utiliser un connecteur de conduit (homologation UL ou CSA).
6. Serrer les vis sur le connecteur de conduit.
7. Voir "Tableau des options de raccordement électrique" pour terminer l'installation correspondant à votre type de raccordement électrique.

### Tableau des options de raccordement électrique

#### Câblage de la maison :

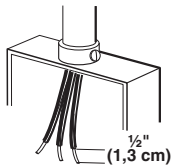
#### Voir la section :

4 conducteurs



Câble à 4 conducteurs depuis le point de distribution du domicile

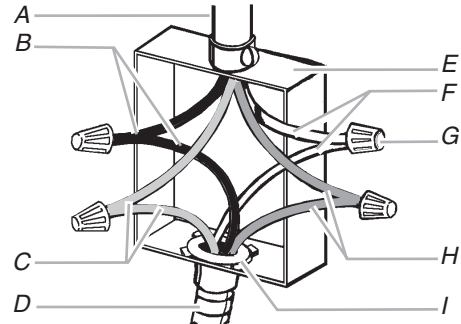
3 conducteurs



Câble à 3 conducteurs depuis le point de distribution du domicile

### Câble à 4 conducteurs depuis le point de distribution du domicile

**IMPORTANT :** Utiliser le câble à 4 conducteurs provenant du point de distribution du domicile aux États-Unis lorsque les codes ne permettent pas la mise à la terre par l'intermédiaire du conducteur neutre, en cas de nouvelle installation avec alimentation par un circuit secondaire (1996 NEC), dans les résidences mobiles et les véhicules récréatifs, dans les nouvelles constructions, et au Canada.



A. Câble depuis le point de distribution du domicile

B. Conducteurs noirs

C. Conducteurs rouges

D. Câble flexible à 4 conducteurs depuis le four

E. Boîtier de connexion

F. Conducteurs blancs

G. Connecteurs de fils (homologation UL)

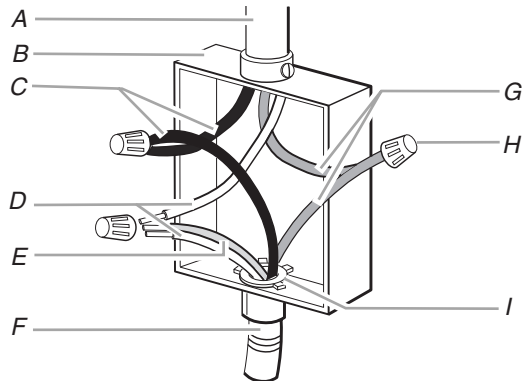
H. Conducteurs verts (ou nus) de liaison à la terre

I. Connecteur de conduit (homologation UL ou CSA)

1. Connecter ensemble les 2 conducteurs noirs (B) avec un connecteur de fils (homologation UL).
2. Connecter ensemble les 2 conducteurs rouges (C) avec un connecteur de fils (homologation UL).
3. Détorsader le conducteur blanc du conducteur vert (ou nu) de liaison à la terre provenant du four.
4. Connecter ensemble les 2 conducteurs blancs (F) avec un connecteur de fils (homologation UL).
5. Connecter le conducteur vert (ou nu) de liaison à la terre (H) du câble du four au conducteur vert (ou nu) de liaison à la terre dans le boîtier de connexion - utiliser un connecteur de fils (homologation UL).
6. Installer le couvercle du boîtier de connexion.

## Câble à 3 conducteurs depuis le point de distribution du domicile - É.-U. seulement

**IMPORTANT :** Utiliser le câble à 3 conducteurs depuis le point de distribution du domicile lorsque les codes locaux autorisent un tel raccordement.



A. Câble depuis le point de distribution du domicile  
B. Boîtier de connexion  
C. Conducteurs noirs  
D. Conducteurs blancs  
E. Conducteur vert (ou nu) de liaison à la terre (depuis le four)

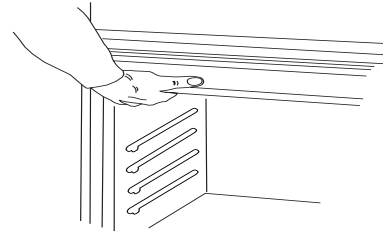
F. Câble flexible à 4 conducteurs depuis le four  
G. Conducteurs rouges  
H. Connecteurs de fils (homologation UL)  
I. Connecteur de conduit (homologation UL ou CSA)

1. Connecter ensemble les 2 conducteurs noirs (C) avec un connecteur de fils (homologation UL).
2. Connecter les 2 conducteurs blancs (D) et le conducteur vert (ou nu) de liaison à la terre (du câble du four) avec un connecteur de fils (homologation UL).
3. Connecter ensemble les 2 conducteurs rouges (G) avec un connecteur de fils (homologation UL).
4. Installer le couvercle du boîtier de connexion.

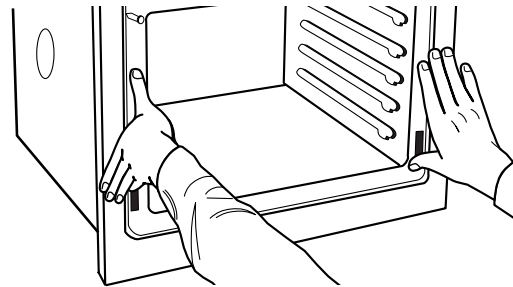
## Installation du four

1. À l'aide de 2 personnes ou plus, soulever et introduire partiellement le four dans l'ouverture du placard. Utiliser l'ouverture du four comme zone de prise.

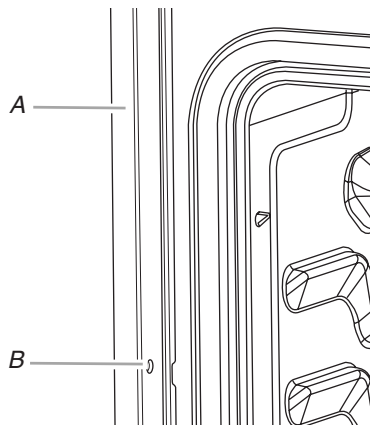
**REMARQUE :** Pousser le four pour l'introduire dans le placard en poussant contre la zone du joint du four sur le châssis avant. Ne pas pousser contre les bords externes.



2. Pousser complètement le four dans le placard; centrer le four dans la cavité du placard.

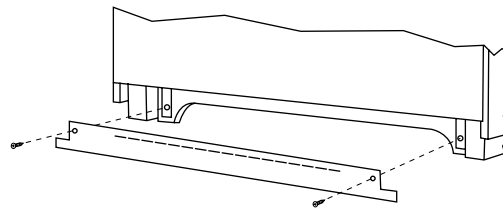


3. Fixer solidement le four sur les éléments du placard avec les vis n° 8-14 x 3/4" fournies. Insérer les vis à travers les trous des garnitures décoratives. Ne pas serrer excessivement les vis.



A. Garniture décorative  
B. Insérer la vis.

4. L'évent inférieur est fixé sur le dessus de la cavité du châssis du four. Pour l'installation, procéder selon les instructions suivantes.
- Aligner le trou de montage de l'évent du four inférieur avec les trous du châssis du four.
  - Avec une vis n° 8-18 x 3/8" pour chaque côté de l'évent, fixer solidement l'évent au châssis du four.



**IMPORTANT :** Ne pas obstruer l'arrivée d'air qui se trouve le long du bas du four.

5. Réinstaller les grilles du four.
6. Saisir la porte de chaque côté.
7. Réinstaller la porte du four aligner et insérer les extrémités des charnières dans les encoches de charnières sur le châssis du four.
8. Enfoncer les charnières aussi loin que possible et ouvrir la porte du four complètement. On doit percevoir le mouvement de la porte du four lorsqu'elle se met en place.
9. Replacer les loquets en position de verrouillage.
10. Vérifier que la porte s'ouvre et se ferme facilement. Si tel n'est pas le cas, répéter le processus de dépose et d'installation de la porte. Voir la section "Dépose de la porte du four".
11. Reconnecter la source de courant électrique.
12. Le tableau d'affichage s'allumera brièvement et l'horloge devrait apparaître sur l'affichage.
13. Si le tableau d'affichage ne s'allume pas, consulter la section "Assistance ou service" du Guide d'utilisation et d'entretien ou contacter le marchand qui vous a vendu le four.

## Achever l'installation

1. Vérifier que toutes les pièces sont maintenant installées. S'il reste une pièce, passer en revue les différentes étapes pour découvrir laquelle aurait été oubliée.
2. Vérifier la présence de tous les outils.
3. Éliminer/recycler les matériaux d'emballage.
4. Pour l'utilisation et le nettoyage du four, lire le Guide d'utilisation et d'entretien.

### Vérification du fonctionnement du four inférieur

1. Mettre l'appareil sous tension.
2. À la première utilisation, régler la langue, les réglages régionaux, l'horloge, la date et l'apparence de l'écran. Consulter le Guide d'utilisation et d'entretien pour plus de détails.
3. Appuyer sur OVEN (four).
4. Appuyer sur BROIL (cuisson au gril).
5. Régler la température.
6. Appuyer sur START (mise en marche).

#### Si le(s) four(s) ne fonctionne(nt) pas, contrôler ce qui suit :

- Les fusibles du domicile sont intacts et serrés; le disjoncteur n'est pas déclenché.
  - L'appareil est raccordé à l'alimentation électrique.
  - Voir la section "Dépannage" dans le guide d'utilisation et d'entretien.
7. Après que le four ait fonctionné pendant 5 minutes, vérifier qu'il y a émission de chaleur.  
Si l'on ne détecte aucune chaleur ou si un message d'erreur apparaît sur l'affichage, éteindre le four et contacter un technicien qualifié.
  8. Appuyer sur CANCEL OVEN (annuler le four).

### Vérification du fonctionnement du four à micro-ondes

1. Remplir un contenant allant aux micro-ondes avec 1 tasse (250 mL) d'eau et placer le contenant dans le four à micro-ondes. Bien fermer la porte.
2. À partir du menu principal, appuyer sur Microwave (four à micro-ondes) ou ouvrir la porte du four.
3. Appuyer sur COOK (cuisson).
4. Régler le niveau de puissance, la température et le temps de cuisson à "2:00" minutes.
5. Appuyer sur START (mise en marche).

#### Si le four à micro-ondes ne fonctionne pas, contrôler ce qui suit :

- Les fusibles du domicile sont intacts et serrés; le disjoncteur n'est pas déclenché.
- L'appareil est raccordé à l'alimentation électrique.
- Voir la section "Dépannage" dans le guide d'utilisation et d'entretien.

Lorsque l'afficheur indique "1:00" minute, ouvrir la porte du four à micro-ondes. La cuisson par les micro-ondes devrait cesser. Bien fermer la porte. La lampe intérieure du four à micro-ondes doit s'éteindre.

6. Appuyer sur START (mise en marche) pour poursuivre un programme pré-réglé. Le four à micro-ondes doit commencer la cuisson et la lampe intérieure du four à micro-ondes doit être allumée. Laisser le four à micro-ondes terminer la durée de cuisson. Un signal sonore retentit à la fin de la durée de cuisson et le four à micro-ondes s'éteint.
7. Ouvrir la porte du four à micro-ondes et retirer lentement le contenant. L'eau dans le contenant doit être chaude. Pour le réglage de l'horloge et d'autres fonctions du four, consulter le Guide d'utilisation et d'entretien.

#### Si vous avez besoin d'assistance ou de service :

Consulter la section "Assistance ou service" du Guide d'utilisation et d'entretien ou contacter le marchand chez qui le four conventionnel et le four à micro-ondes encastrés ont été achetés.