

JENN-AIR® Built-In Microwave Oven

PRODUCT MODEL NUMBERS

JMD2124W

ELECTRICAL REQUIREMENTS

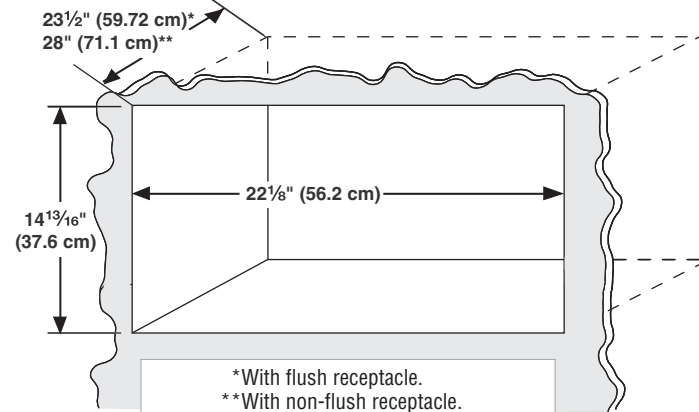
A 120-volt, 60 Hz, AC-only, 15 or 20 amp fused electrical supply with a fuse or circuit breaker is required. It is recommended that a separate circuit serving only this appliance be provided.

LOCATION REQUIREMENTS

The microwave oven may be located in a cabinet or below the counter, and/or below a built-in oven. Check the opening where the microwave oven will be installed. The location must provide:

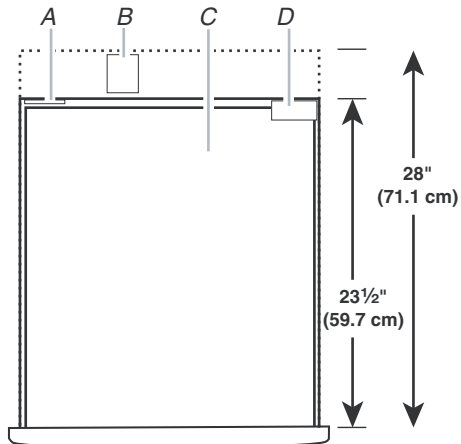
- Wood cabinetry.
- Cutout opening that is plumb and square. See "Minimum Cutout Dimensions" section.
- Cutout floor that is solid, level and flush with bottom of cabinet cutout.
- Support for weight of at least 100 lbs (45.4 kg), which includes microwave oven and items placed inside.
- Grounded electrical outlet. See "Electrical Requirements" section.
- Minimum installation clearances for installation location. See "Minimum Clearances" section.
- Complete enclosure around the recessed portion of the microwave oven.

MINIMUM CUTOUT DIMENSIONS



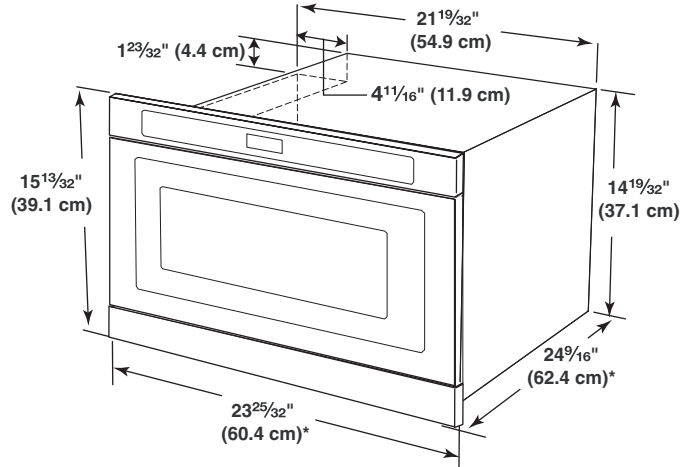
Width	22 1/8" (59.7 cm)
Height	14 13/16" (37.6 cm) for all installations
Depth	23 1/2" (59.7 cm) with flush receptacle; 28" (71.1 cm) with non-flush receptacle

Cutout Top View



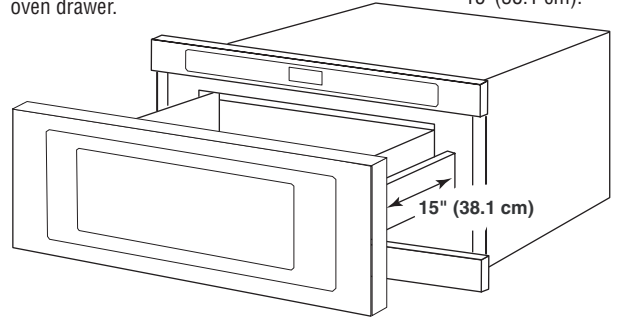
- A. Flush receptacle located in upper left corner only
- B. Non-flush receptacle
- C. Microwave oven
- D. Anti-tip block located in upper right corner only

PRODUCT DIMENSIONS

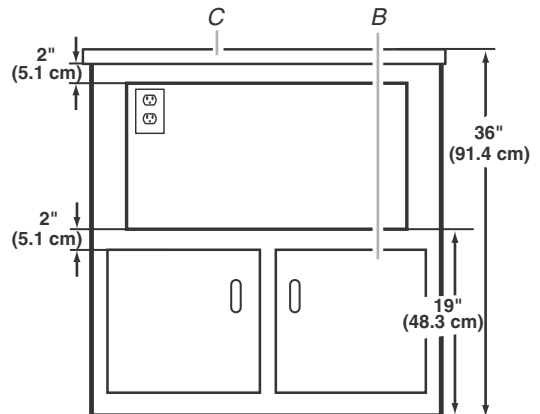
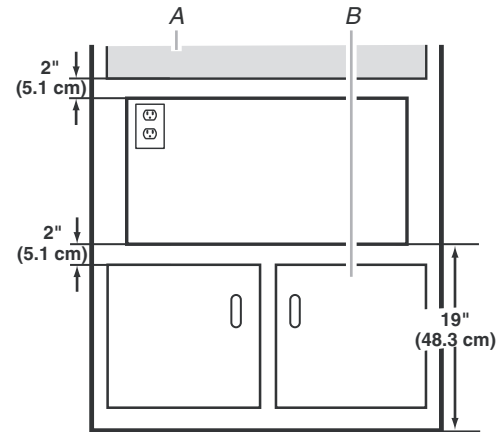


*Measurements include front facing of microwave oven drawer.

The drawer opens 15" (38.1 cm).



MINIMUM CLEARANCES



A. Upper oven B. Lower cabinet C. Counter