



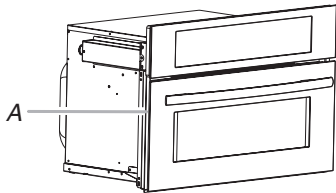
27" (68.6 CM) AND 30" (76.2 CM) ELECTRIC BUILT-IN MICROWAVE OVEN

PRODUCT MODEL SERIES

JMC2127W
JMC2130W

ELECTRICAL CONNECTION

Microwave oven must be connected to the proper electrical voltage and frequency as specified on the model/serial number rating plate. The model/serial number rating plate is located on the left-hand side trim.



A. Model/serial number plate

Observe all governing codes and ordinances.

Required:

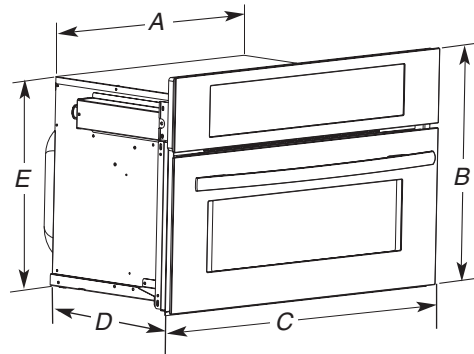
A 120 Volt, 60 Hz, AC only, 15- or 20-amp electrical supply with a fuse or circuit breaker.

Recommended:

A time-delay fuse or time-delay circuit breaker.
A separate circuit serving only this microwave oven.

PRODUCT DIMENSIONS

27" (68.6 cm) and 30" (76.2 cm) Microwave Ovens



27" (68.6 cm) models

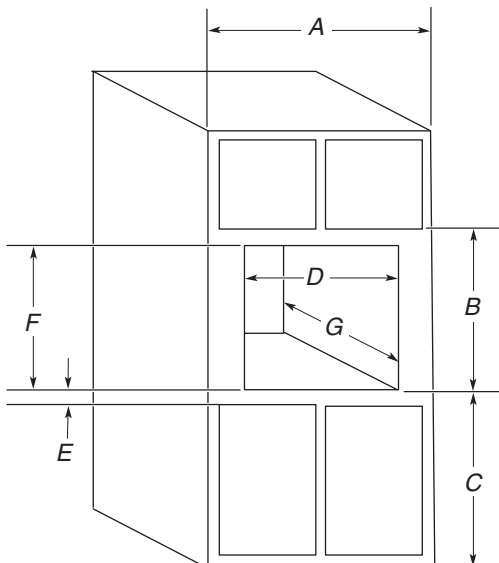
- A. 25 1/4" (64.1 cm) recessed width
- B. 19 1/8" (48.6 cm) overall height
- C. 26 3/4" (67.9 cm) overall width
- D. 22 7/16" (57.0 cm) overall depth
- E. 16 3/4" (42.5 cm) recessed height

30" (76.2 cm) models

- A. 28 1/4" (71.7 cm) recessed width
- B. 19 1/8" (48.6 cm) overall height
- C. 29 3/4" (75.6 cm) overall width
- D. 22 7/16" (57.0 cm) overall depth
- E. 16 3/4" (42.5 cm) recessed height

CABINET OPENING DIMENSIONS

27" (68.6 cm) and 30" (76.2 cm) Microwave Ovens



27" (68.6 cm) models

- A. 27" (68.6 cm) min. cabinet width
- B. 19 1/4" (48.9 cm) from bottom of cutout to bottom of upper cabinet door
- C. 40" (101.6 cm) bottom of cutout to floor (recommended)
- D. 25 1/2" (64.8 cm) cutout width
- E. 1 1/2" (3.8 cm) min. bottom of cutout to top of cabinet door
- F. 18 1/4" (46.4 cm) recommended cutout height (will fit cutout height from 17" [43.2 cm] to 18 1/4" [46.4 cm])
- G. 21 1/8" (55.5 cm) min. cutout depth

30" (76.2 cm) models

- A. 30" (76.2 cm) min. cabinet width
- B. 19 1/4" (48.9 cm) from bottom of cutout to bottom of upper cabinet door
- C. 40" (101.6 cm) bottom of cutout to floor (recommended)
- D. 28 1/2" (72.4 cm) cutout width
- E. 1 1/2" (3.8 cm) min. bottom of cutout to top of cabinet door
- F. 18 1/4" (46.4 cm) recommended cutout height (will fit cutout height from 17" [43.2 cm] to 18 1/4" [46.4 cm])
- G. 21 1/8" (55.5 cm) min. cutout depth