

INSTALLATION INSTRUCTIONS 27" (68.6 CM) AND 30" (76.2 CM) ELECTRIC SINGLE AND DOUBLE BUILT-IN OVEN

INSTRUCTIONS D'INSTALLATION FOUR ÉLECTRIQUE ENCASTRÉ DE 27" (68,6 CM) ET 30" (76,2 CM) - SIMPLE ET DOUBLE

Table of Contents / Table des matières

BUILT-IN OVEN SAFETY	2	SÉCURITÉ DU FOUR ENCASTRÉ	9
INSTALLATION REQUIREMENTS	2	EXIGENCES D'INSTALLATION	9
Tools and Parts	2	Outils et pièces	9
Location Requirements	2	Exigences d'emplacement	9
Electrical Requirements	5	Spécifications électriques	12
INSTALLATION INSTRUCTIONS	5	INSTRUCTIONS D'INSTALLATION	13
Prepare Built-In Oven	5	Préparation du four encastré	13
Remove Oven Door	5	Dépose de la porte du four	13
Make Electrical Connection	6	Raccordement électrique	14
Install Oven	7	Installation du four	15
Complete Installation	8	Achever l'installation	16

IMPORTANT:

Save for local electrical inspector's use.

IMPORTANT :

À conserver pour consultation par l'inspecteur local des installations électriques.

BUILT-IN OVEN SAFETY

Your safety and the safety of others are very important.

We have provided many important safety messages in this manual and on your appliance. Always read and obey all safety messages.



This is the safety alert symbol.

This symbol alerts you to potential hazards that can kill or hurt you and others.

All safety messages will follow the safety alert symbol and either the word "DANGER" or "WARNING." These words mean:

DANGER

You can be killed or seriously injured if you don't immediately follow instructions.

WARNING

You can be killed or seriously injured if you don't follow instructions.

All safety messages will tell you what the potential hazard is, tell you how to reduce the chance of injury, and tell you what can happen if the instructions are not followed.

INSTALLATION REQUIREMENTS

Tools and Parts

Gather the required tools and parts before starting installation. Read and follow the instructions provided with any tools listed here.

Tools needed

- Phillips screwdriver
- Flat-blade screwdriver
- Measuring tape
- Drill (for wall cabinet installations)
- 1¼" (3.4 cm) drill bit (for wall cabinet installations)
- Level

Parts needed

- UL listed or CSA approved conduit connector
- UL listed wire connectors

Parts supplied

- # 8-14 x ¾" screws - single oven (4), double oven (8)
- Bottom vent (supplied on some models)
- Two # 8-18 x ¾" screws - bottom vent

Check local codes. Check existing electrical supply. See "Electrical Requirements."

It is recommended that all electrical connections be made by a licensed, qualified electrical installer.

Location Requirements

Make sure you have everything needed for correct installation.

IMPORTANT: Observe all governing codes and ordinances.

- Cabinet opening dimensions that are shown must be used. Given dimensions provide minimum clearance with oven.
- Recessed installation area must provide complete enclosure around the recessed portion of the oven.
- Grounded electrical supply is required. See "Electrical Requirements" section.
- Electrical supply junction box should be located 3" (7.6 cm) maximum below the support surface when the oven is installed in a wall cabinet. A 1¼" (3.4 cm) minimum diameter hole should have been drilled in the right rear corner of the support surface to pass the appliance cable through to the junction box.

NOTE: For undercounter installation, it is recommended that the junction box be located in the adjacent right or left cabinet. If you are installing the junction box on rear wall behind oven, the junction box must be recessed and located in the upper or lower right or left corner of the cabinet; otherwise, the oven will not fit into the cabinet opening.

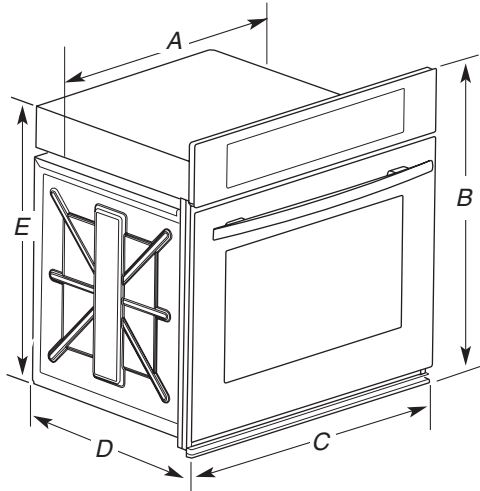
- Oven support surface must be solid, level and flush with bottom of cabinet cutout. Floor must be able to support a 27" (68.6 cm) single oven weight of 138 lbs (63 kg) or a 30" (76.2 cm) single oven weight of 154 lbs (70 kg). Floor must be able to support a 27" (68.6 cm) double oven weight of 278 lbs (126 kg) or a 30" (76.2 cm) double oven weight of 303 lbs (138 kg).

IMPORTANT: To avoid damage to your cabinets, check with your builder or cabinet supplier to make sure that the materials used will not discolor, delaminate or sustain other damage. This oven has been designed in accordance with the requirements of UL and CSA International and complies with the maximum allowable wood cabinet temperatures of 194° (90°C).

Undercounter Installation (with cooktop installed above):

Ovens approved for this type of installation have an approval label located on the top of the oven. Refer to undercounter installation instructions for cutout dimensions and approved oven cooktop combinations (separate sheet).

Product Dimensions - Single Ovens



27" (68.6 cm) models

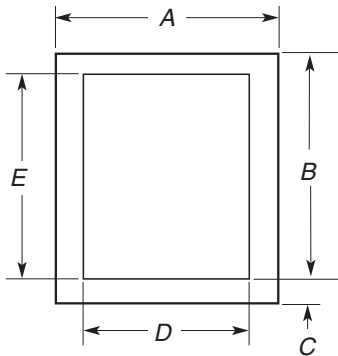
- A. 25 1/4" (64.1 cm) max. recessed width
- B. 29 1/2" (75.0 cm) max. overall height
- C. 26 3/4" (67.9 cm) max. overall width
- D. 24 3/8" (61.9 cm) max. overall depth
- E. 26 3/4" (68.0 cm) max. recessed height

30" (76.2 cm) models

- A. 28" (71.1 cm) max. recessed width
- B. 29 1/2" (75.0 cm) max. overall height
- C. 29 3/4" (75.6 cm) max. overall width
- D. 24 3/8" (61.9 cm) max. overall depth
- E. 26 3/4" (68.0 cm) max. recessed height

Cabinet Dimensions - Single Ovens

Single Oven Undercounter (without cooktop installed above)



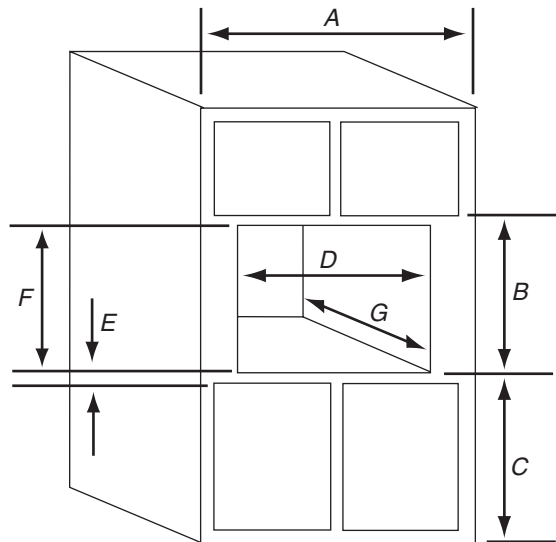
27" (68.6 cm) models

- A. 27" (68.6 cm) min. cabinet width
- B. 30 1/2" (77.5 cm) min. from bottom of cutout to underside of countertop.
- C. 4 5/8" (11.7 cm) bottom of cutout to floor
- D. 25 1/2" (64.8 cm) cutout width
- E. 27 3/4" (70.5 cm) Recommended cutout height (will fit cutout height from 27 3/4" [70.5 cm] to 29 1/16" [73.8 cm])

30" (76.2 cm) models

- A. 30" (76.2 cm) min. cabinet width
- B. 30 1/2" (77.5 cm) min. from bottom of cutout to underside of countertop.
- C. 4 5/8" (11.7 cm) bottom of cutout to floor
- D. 28 1/2" (72.4 cm) cutout width
- E. 27 3/4" (70.5 cm) Recommended cutout height (will fit cutout height from 27 3/4" [70.5 cm] to 29 1/16" [73.8 cm])

Single Ovens Installed in Cabinet



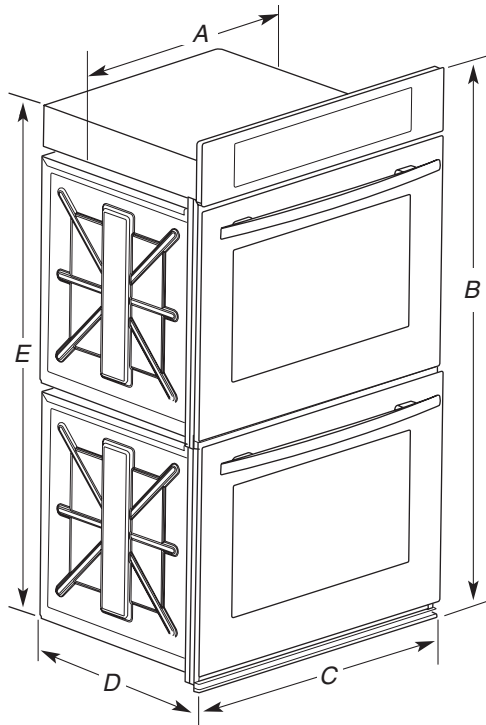
27" (68.6 cm) models

- A. 27" (68.6 cm) min. cabinet width
- B. 29 3/4" (75.5 cm) from bottom of cutout to bottom of upper cabinet door
- C. 32" (81.3 cm) recommended bottom of cutout to floor. 4" (10.2 cm) to 32" (81.3 cm) bottom of cutout to floor is acceptable.
- D. 25 1/2" (64.8 cm) recommended cutout width (will fit cutout width from 24 7/8" [63.2 cm] to 25 1/2" [64.8 cm])
- E. 1 1/2" (3.8 cm) min. bottom of cutout to top of cabinet door
- F. 27 3/4" (70.5 cm) recommended cutout height (will fit cutout height from 27 3/4" [70.5 cm] to 29 7/16" [73.8 cm])
- G. 24" (61.0 cm) minimum cutout depth

30" (76.2 cm) models

- A. 30" (76.2 cm) min. cabinet width
- B. 29 3/4" (75.5 cm) from bottom of cutout to bottom of upper cabinet door
- C. 32" (81.3 cm) recommended bottom of cutout to floor. 4" (10.2 cm) to 32" (81.3 cm) bottom of cutout to floor is acceptable.
- D. 28 1/2" (72.4 cm) recommended cutout width (will fit cutout width from 28 1/2" [72.4 cm] to 29" [73.7 cm])
- E. 1 1/2" (3.8 cm) min. bottom of cutout to top of cabinet door
- F. 27 3/4" (70.5 cm) recommended cutout height (will fit cutout height from 27 3/4" [70.5 cm] to 29 7/16" [73.8 cm])
- G. 24" (61.0 cm) minimum cutout depth

Product Dimensions - Double Ovens



27" (68.6 cm) models

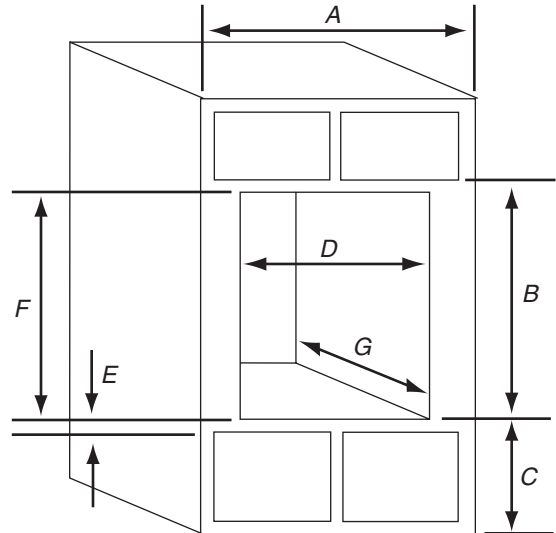
- A. 25 1/4" (64.1 cm) max. recessed width
- B. 52 1/4" (132.8 cm) max. overall height
- C. 26 3/4" (67.9 cm) max. overall width
- D. 24 3/8" (61.9 cm) max. overall depth
- E. 49 1/2" (125.8 cm) max. recessed height

30" (76.2 cm) models

- A. 28" (71.1 cm) max. recessed width
- B. 52 1/4" (132.8 cm) max. overall height
- C. 29 3/4" (75.6 cm) max. overall width
- D. 24 3/8" (61.9 cm) max. overall depth
- E. 49 1/2" (125.8 cm) max. recessed height

Cabinet Dimensions - Double Ovens

Double Ovens Installed in Cabinet



27" (68.6 cm) models

- A. 27" (68.6 cm) min. cabinet width
- B. 52 1/2" (133.4 cm) from bottom of cutout to bottom of upper cabinet door
- C. 14 3/4" (37.5 cm) recommended bottom of cutout to floor. 4" (10.2 cm) to 14 3/4" (37.5 cm) bottom of cutout to floor is acceptable.
- D. 25 1/2" (64.8 cm) recommended cutout width (will fit cutout width from 24 7/8" {63.2 cm} to 25 1/2" {64.8 cm})
- E. 1 1/2" (3.8 cm) min. bottom of cutout to top of cabinet door
- F. 49 3/4" (126.4 cm) recommended cutout height (will fit cutout height from 49 3/4" {126.4 cm} to 51 5/16" {131.9 cm})
- G. 24" (61.0 cm) minimum cutout depth

30" (76.2 cm) models

- A. 30" (76.2 cm) min. cabinet width
- B. 52 1/2" (133.4 cm) from bottom of cutout to bottom of upper cabinet door
- C. 14 3/4" (37.5 cm) recommended bottom of cutout to floor. 4" (10.2 cm) to 14 3/4" (37.5 cm) bottom of cutout to floor is acceptable.
- D. 28 1/2" (72.4 cm) recommended cutout width (will fit cutout width from 28 1/2" {72.4 cm} to 29" {73.7 cm})
- E. 1 1/2" (3.8 cm) min. bottom of cutout to top of cabinet door
- F. 49 3/4" (126.4 cm) recommended cutout height (will fit cutout height from 49 3/4" {126.4 cm} to 51 5/16" {131.9 cm})
- G. 24" (61.0 cm) minimum cutout depth

Electrical Requirements

If codes permit and a separate ground wire is used, it is recommended that a qualified electrical installer determine that the ground path and the wire gauge are in accordance with local codes.

Check with a qualified electrical installer if you are not sure the oven is properly grounded.

This oven must be connected to a grounded metal, permanent wiring system.

Be sure that the electrical connection and wire size are adequate and in conformance with the National Electrical Code, ANSI/NFPA 70-latest edition or CSA Standards C22.1-94, Canadian Electrical Code, Part 1 and C22.2 No. O-M91-latest edition, and all local codes and ordinances.

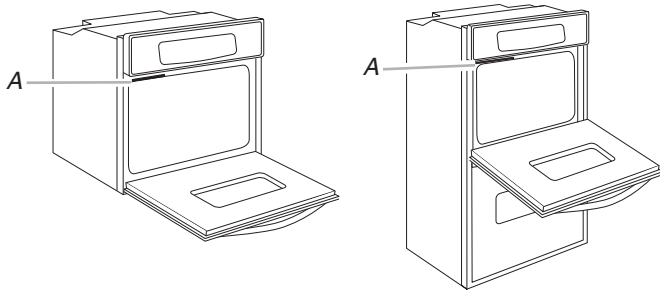
A copy of the above code standards can be obtained from:

National Fire Protection Association
One Batterymarch Park
Quincy, MA 02269
CSA International
8501 East Pleasant Valley Road
Cleveland, OH 44131-5575

Electrical Connection

To properly install your oven, you must determine the type of electrical connection you will be using and follow the instructions provided for it here.

- Oven must be connected to the proper electrical voltage and frequency as specified on the model/serial number rating plate. The model/serial number rating plate is located under the control panel on single ovens and under the control panel in the upper oven cavity on double ovens. See the following illustration.



Single Oven

A. Model/serial number plate

Double Oven

A. Model/serial number plate

- Models rated from 7.3 to 9 kW at 240 volts (5.4 to 7.4 kW at 208 volts) require a separate 40-amp circuit. Models rated at 4.8 kW and below at 240 volts (3.6 kW and below at 208 volts) require a separate 20-amp circuit.
- A circuit breaker is recommended.
- Connect directly to the fused disconnect (or circuit breaker box) through flexible, armored or nonmetallic sheathed, copper cable (with grounding wire). See "Make Electrical Connection" section.
- Flexible cable from the oven should be connected directly to the junction box.
- Fuse both sides of the line.
- Do not cut the conduit. The length of conduit provided is for serviceability of the oven.
- A UL listed or CSA approved conduit connector must be provided.
- If the house has aluminum wiring follow the procedure below:
 1. Connect a section of solid copper wire to the pigtail leads.
 2. Connect the aluminum wiring to the added section of copper wire using special connectors and/or tools designed and UL listed for joining copper to aluminum.

Follow the electrical connector manufacturer's recommended procedure. Aluminum/copper connection must conform with local codes and industry accepted wiring practices.

INSTALLATION INSTRUCTIONS

Prepare Built-In Oven

1. Decide on the final location for the oven. Avoid drilling into or severing wiring during installation.

⚠ WARNING

Excessive Weight Hazard

Use two or more people to move and install oven.

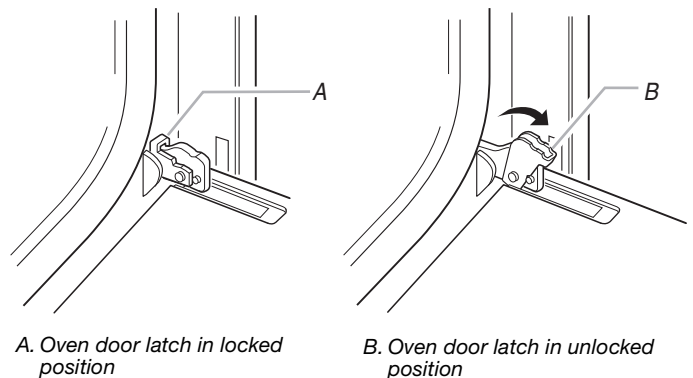
Failure to do so can result in back or other injury.

2. To avoid floor damage, set the oven onto cardboard prior to installation. Do not use handle or any portion of the front frame for lifting.
3. Remove the shipping materials and tape from the oven.
4. Remove the hardware package from inside the bag containing literature.
5. Remove and set aside racks and other parts from inside the oven.
6. Move oven and cardboard close to the oven's final location.

Remove Oven Door

IMPORTANT: Use both hands to remove oven door(s).

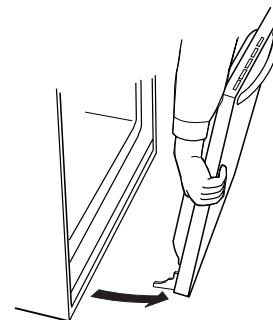
1. Open the oven door.
2. Locate the oven door latches in both corners of the oven door, and rotate the latches forward to the unlocked position.



A. Oven door latch in locked position

B. Oven door latch in unlocked position

3. Grasp the edges of the oven door with both hands and close the oven door until it will no longer close. Lift and pull oven door toward you and remove. Set the oven door(s) aside on a covered work surface.



Make Electrical Connection

For Double Ovens

⚠ WARNING



Electrical Shock Hazard

- Disconnect power before servicing.**
- Use 8 gauge solid copper wire.**
- Electrically ground oven.**
- Failure to follow these instructions can result in death, fire, or electrical shock.**

For Single Ovens

⚠ WARNING

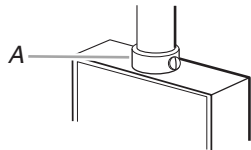


Electrical Shock Hazard

- Disconnect power before servicing.**
- Use 12 gauge solid copper wire.**
- Electrically ground oven.**
- Failure to follow these instructions can result in death, fire, or electrical shock.**

This oven is manufactured with a neutral (white) power supply wire and a cabinet-connected green (or bare) ground wire twisted together.

1. Disconnect power.
2. Feed the flexible conduit from the oven through the opening in the cabinet.
3. Remove junction box cover, if it is present.
4. Install a UL listed or CSA approved conduit connector to the junction box.



A. UL listed or CSA approved conduit connector

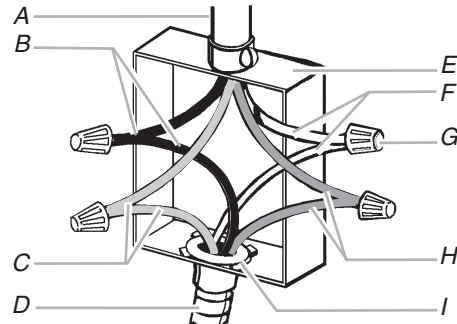
5. Route the flexible conduit from the oven to the junction box through a UL listed or CSA approved conduit connector.
6. Tighten screws on conduit connector.
7. See "Electrical Connection Options Chart" to complete installation for your type of electrical connection.

Electrical Connection Options Chart

If your home has:	Go to section:
4-wire 	4-wire Cable from Home Power Supply
3-wire 	3-wire Cable from Home Power Supply

4-Wire Cable from Home Power Supply

IMPORTANT: Use the 4-wire cable from home power supply in the U.S. where local codes do not allow grounding through neutral, New Branch circuit installations (1996 NEC), mobile homes and recreational vehicles, new construction and in Canada.

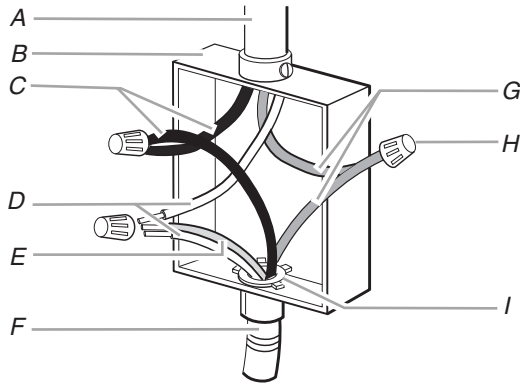


- A. Cable from home power supply
- B. Black wires
- C. Red wires
- D. 4-wire flexible conduit from oven
- E. Junction box
- F. White wires
- G. UL listed wire connectors
- H. Green (or bare) ground wires
- I. UL listed or CSA approved conduit connector

1. Connect the 2 black wires (B) together using a UL listed wire connector.
2. Connect the 2 red wires (C) together using a UL listed wire connector.
3. Untwist white wire from green (or bare) ground wire coming from the oven.
4. Connect the 2 white wires (F) together using a UL listed wire connector.
5. Connect the green (or bare) ground wire (H) from the oven cable to the green (or bare) ground wire (in the junction box) using a UL listed wire connector.
6. Install junction box cover.

3-Wire Cable from Home Power Supply - U.S. Only

IMPORTANT: Use the 3-wire cable from home power supply where local codes permit a 3-wire connection.



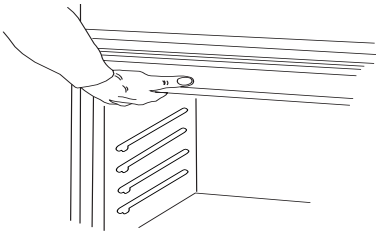
- | | |
|--|--|
| A. Cable from home power supply | F. 4-wire flexible conduit from oven |
| B. Junction box | G. Red wires |
| C. Black wires | H. UL listed wire connectors |
| D. White wires | I. UL listed or CSA approved conduit connector |
| E. Green (or bare) ground wire (from oven) | |

1. Connect the 2 black wires (C) together using a UL listed wire connector.
2. Connect the 2 white wires (D) and the green (or bare) ground wire (of the oven cable) using a UL listed wire connector.
3. Connect the 2 red wires (G) together using a UL listed wire connector.
4. Install junction box cover.

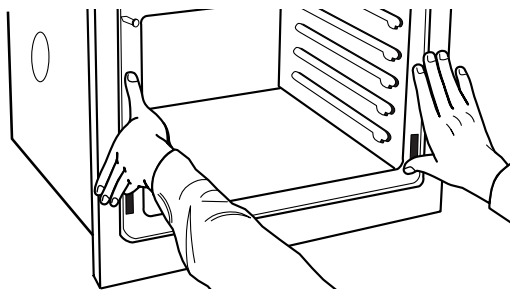
Install Oven

1. Using 2 or more people, lift oven partially into cabinet cutout. Use the oven opening as an area to grip.

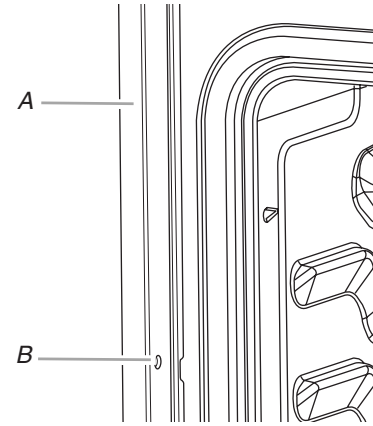
NOTE: Push against seal area of oven front frame when pushing oven into cabinet. Do not push against outside edges.



2. Push oven completely into cabinet and center oven into cabinet cutout.

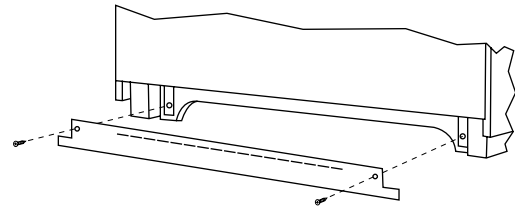


3. Securely fasten oven to cabinet using the # 8-14 x 3/4" screws (4 for single oven, 8 for double oven) provided. Insert the screws through holes in decorative trim. Do not overtighten screws.



- A. Decorative trim
B. Insert screw.

4. The bottom vent is taped to the top of the oven chassis enclosure. See the following instructions to install.
 - Align mounting hole in bottom vent to holes in the oven frame.
 - With one #8-18 x 3/8" screw for each side of the vent, fasten vent securely to the oven frame.



IMPORTANT: Do not block air intake along bottom of oven.

5. Replace oven racks.
6. Grasp door at each side.
7. Replace oven door by aligning and inserting ends of hinges into hinge slots in the oven frame.
8. Push hinges in as far as they will go and open the oven door to the fully open position. You should feel the oven door drop into place.
9. Move the latches back to the locked position.
10. Check that door is free to open and close. If it is not, repeat the removal and installation procedures. See "Remove Oven Door" section.
11. Repeat for lower oven door.
12. Reconnect power.
13. Display panel will light briefly, and the clock should appear in the display.
14. If display panel does not light, please reference the "Assistance or Service" section of the Use and Care Guide or contact the dealer from whom you purchased your oven.

Complete Installation

1. Check that all parts are now installed. If there is an extra part, go back through the steps to see which step was skipped.
2. Check that you have all of your tools.
3. Dispose of/recycle all packaging materials.
4. For oven use and cleaning, read the Use and Care Guide.

Check Operation of Single Oven

1. Turn power on.
2. At first use, set up the language, regional settings, clock, date and screen appearance. For more details read the Use and Care Guide.
3. Press Upper/Lower oven.
4. Touch BROIL.
5. Set the temperature.

6. Touch START.

If oven(s) does not operate, check the following:

- Household fuse is intact and tight; or circuit breaker has not tripped.
 - Electrical supply is connected.
 - See “Troubleshooting” section in the Use and Care Guide.
7. When oven has been on for 5 minutes, feel for heat.
If you do not feel heat or if an error message appears in the display, turn off the oven and contact qualified technician.
 8. Touch CANCEL UPPER/LOWER on double ovens, or press CANCEL on single ovens.

If you need Assistance or Service:

Please reference the “Assistance or Service” section of the Use and Care Guide or contact the dealer from whom you purchased your built-in oven.

SÉCURITÉ DU FOUR ENCASTRÉ

Votre sécurité et celle des autres est très importante.

Nous donnons de nombreux messages de sécurité importants dans ce manuel et sur votre appareil ménager. Assurez-vous de toujours lire tous les messages de sécurité et de vous y conformer.



Voici le symbole d'alerte de sécurité.

Ce symbole d'alerte de sécurité vous signale les dangers potentiels de décès et de blessures graves à vous et à d'autres.

Tous les messages de sécurité suivront le symbole d'alerte de sécurité et le mot "DANGER" ou "AVERTISSEMENT". Ces mots signifient :

⚠ DANGER

Risque possible de décès ou de blessure grave si vous ne suivez pas immédiatement les instructions.

⚠ AVERTISSEMENT

Risque possible de décès ou de blessure grave si vous ne suivez pas les instructions.

Tous les messages de sécurité vous diront quel est le danger potentiel et vous disent comment réduire le risque de blessure et ce qui peut se produire en cas de non-respect des instructions.

EXIGENCES D'INSTALLATION

Outils et pièces

Rassembler les outils et composants nécessaires avant d'entreprendre l'installation. Lire et observer les instructions fournies avec chacun des outils de la liste ci-dessous.

Outils nécessaires

- Tournevis Phillips
- Tournevis à lame plate
- Mètre ruban
- Perceuse (pour installation dans un placard mural)
- Foret de 1¼" (3,4 cm) (pour installation dans un placard mural)
- Niveau

Pièces nécessaires

- Connecteur de conduit (homologation UL ou CSA)
- Connecteurs de fils (homologation UL)

Pièces fournies

- Vis n°8-14 x ¾" – four simple (4), four double (8)
- Évent inférieur (fourni sur certains modèles)
- Deux vis n° 8-18 x ¾" - Évent inférieur

Consulter les codes locaux. Vérifier l'alimentation électrique existante. Voir "Spécifications électriques".

Il est recommandé de faire réaliser tous les raccordements électriques par un électricien qualifié agréé.

Exigences d'emplacement

S'assurer d'avoir tout le nécessaire pour une installation convenable.

IMPORTANT : Observer les dispositions de tous les codes et règlements en vigueur.

- Respecter les dimensions indiquées pour les ouvertures à découper dans les placards. Ces dimensions tiennent compte des dégagements de séparation nécessaires pour le four.
- L'espace d'installation doit permettre la formation d'une enceinte complète autour de la partie encastrée du four.
- Une source d'électricité avec liaison à la terre est nécessaire. Voir la section "Spécifications électriques".
- Le boîtier de connexion doit être situé à moins de 3" (7,6 cm) au-dessous de la surface de support lorsque le four est installé dans un placard mural. Un trou de diamètre de 1¼" (3,4 cm) ou plus doit avoir été percé dans l'angle arrière gauche ou droit de la surface de support pour le passage du câble d'alimentation de l'appareil jusqu'au boîtier de connexion.

REMARQUE : Pour l'installation sous un plan de travail, on recommande que le boîtier de connexion soit situé dans le placard adjacent de droite ou de gauche. Dans le cas de l'installation du boîtier de connexion sur le mur arrière, derrière le four, le boîtier de connexion doit être encastré et placé dans l'angle inférieur ou supérieur du placard, à gauche ou à droite; sinon le four ne pourra pas passer dans l'ouverture de placard destinée à le recevoir.

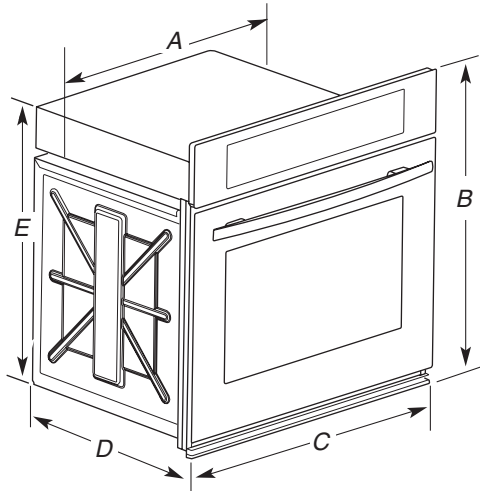
- La surface de support du four doit être robuste, horizontale et en affleurement avec le bas de l'ouverture découpée dans le placard. Le plancher doit être capable de soutenir un four simple de 27" (68,6 cm) et d'un poids de 138 lb (63 kg) ou un four simple de 30" (76,2 cm) et d'un poids de 154 lb (70 kg). Le plancher doit être capable de soutenir un four double de 27" (68,6 cm) et d'un poids de 278 lb (126 kg) ou un four double de 30" (76,2 cm) et d'un poids de 303 lb (138 kg).

IMPORTANT : Pour éviter tout dommage, consulter le constructeur ou le fabricant du placard pour déterminer si les matériaux utilisés ne subiront pas un changement de couleur, une déstratification ou d'autres dommages. Ce four a été conçu conformément aux exigences UL et aux normes de la CSA International; il respecte la température maximale autorisée pour les placards en bois : 194°F (90°C).

Installation sous un plan de travail (avec table de cuisson installée au-dessus) :

Les fours homologués pour ce type d'installation comportent une étiquette d'homologation placée sur le dessus du four. Voir les instructions d'installation sous le plan de travail pour connaître les dimensions de l'ouverture à réaliser et les combinaisons approuvées four/table de cuisson (document distinct).

Dimensions du produit - Fours simples



Modèles de 27" (68,6 cm)

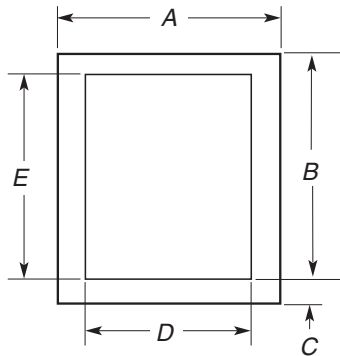
- A. 25 $\frac{1}{4}$ " (64,1 cm) de largeur d'encastrement max.
- B. 29 $\frac{1}{2}$ " (75 cm) de hauteur totale max.
- C. 26 $\frac{3}{4}$ " (67,9 cm) de largeur totale max.
- D. 24 $\frac{3}{8}$ " (61,9 cm) de profondeur totale max.
- E. 26 $\frac{3}{4}$ " (68 cm) de hauteur d'encastrement max.

Modèles de 30" (76,2 cm)

- A. 28" (71,1 cm) de hauteur totale d'encastrement max.
- B. 29 $\frac{1}{2}$ " (75 cm) de hauteur totale max.
- C. 29 $\frac{3}{4}$ " (75,6 cm) de largeur totale max.
- D. 24 $\frac{3}{8}$ " (61,9 cm) de profondeur totale max.
- E. 26 $\frac{3}{4}$ " (68 cm) de hauteur d'encastrement max.

Dimensions du placard - Fours simples

Four simple sous le plan de travail (sans table de cuisson au-dessus)



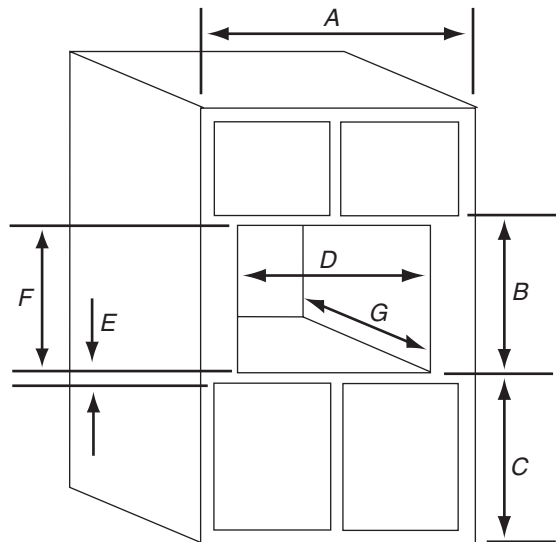
Modèles de 27" (68,6 cm)

- A. 27" (68,6 cm) min. de largeur de placard
- B. 30 $\frac{1}{2}$ " (77,5 cm) min. du fond de l'encastrement au-dessous du plan de travail
- C. 4 $\frac{5}{8}$ " (11,7 cm) du fond de l'encastrement au plancher
- D. 25 $\frac{1}{2}$ " (64,8 cm) de largeur d'encastrement
- E. 27 $\frac{3}{4}$ " (70,5 cm) Hauteur recommandée d'encastrement (conviendra à une hauteur d'encastrement de 27 $\frac{3}{4}$ " [70,5 cm] à 29 $\frac{1}{16}$ " [73,8 cm])

Modèles de 30" (76,2 cm)

- A. 30" (76,2 cm) min. de largeur de placard
- B. 30 $\frac{1}{2}$ " (77,5 cm) min. du fond de l'encastrement au-dessous du plan de travail
- C. 4 $\frac{5}{8}$ " (11,7 cm) du fond de l'encastrement au plancher
- D. 28 $\frac{1}{2}$ " (72,4 cm) de largeur d'encastrement
- E. 27 $\frac{3}{4}$ " (70,5 cm) Hauteur recommandée d'encastrement (conviendra à une hauteur d'encastrement de 27 $\frac{3}{4}$ " [70,5 cm] à 29 $\frac{1}{16}$ " [73,8 cm])

Fours simples installés dans un placard



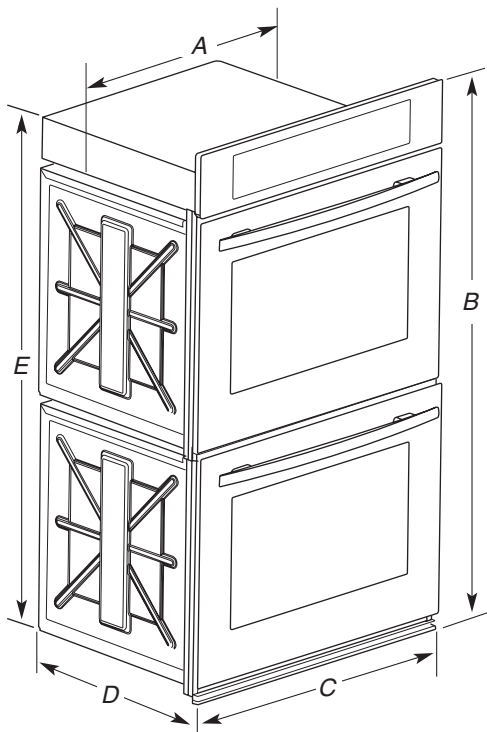
Modèles de 27" (68,6 cm)

- A. 27" (68,6 cm) min. de largeur de placard
- B. 29 $\frac{3}{4}$ " (75,5 cm) du fond de l'encastrement au-dessous de la porte du placard supérieur
- C. Distance de 32" (81,3 cm) recommandée entre le bas de l'ouverture et le plancher. Une distance de 4" (10,2 cm) à 32" (81,3 cm) entre le bas de l'ouverture et le plancher est acceptable.
- D. 25 $\frac{1}{2}$ " (64,8 cm) Largeur recommandée de l'encastrement (conviendra à la largeur d'encastrement de 24 $\frac{7}{8}$ " [63,2 cm] à 25 $\frac{1}{2}$ " [63,2 cm])
- E. 1 $\frac{1}{2}$ " (3,8 cm) min. du fond de l'encastrement au-dessus de la porte du placard
- F. 27 $\frac{3}{4}$ " (70,5 cm) Hauteur recommandée d'encastrement (conviendra à une hauteur d'encastrement de 27 $\frac{3}{4}$ " [70,5 cm] à 29 $\frac{1}{16}$ " [73,8 cm])
- G. 24" (61,0 cm) Profondeur d'encastrement minimale

Modèles de 30" (76,2 cm)

- A. 30" (76,2 cm) min. de largeur de placard
- B. 29 $\frac{3}{4}$ " (75,5 cm) du fond de l'encastrement au-dessous de la porte du placard supérieur
- C. Distance de 32" (81,3 cm) recommandée entre le bas de l'ouverture et le plancher. Une distance de 4" (10,2 cm) à 32" (81,3 cm) entre le bas de l'ouverture et le plancher est acceptable.
- D. 28 $\frac{1}{2}$ " (72,4 cm) Largeur recommandée de l'encastrement (conviendra à la largeur d'encastrement de 28 $\frac{1}{2}$ " [72,4 cm] à 29" [73,7 cm])
- E. 1 $\frac{1}{2}$ " (3,8 cm) min. du fond de l'encastrement au-dessus de la porte du placard
- F. 27 $\frac{3}{4}$ " (70,5 cm) Hauteur recommandée d'encastrement (conviendra à une hauteur d'encastrement de 27 $\frac{3}{4}$ " [70,5 cm] à 29 $\frac{1}{16}$ " [73,8 cm])
- G. 24" (61,0 cm) Profondeur d'encastrement minimale

Dimensions du produit - Fours doubles



Modèles de 27" (68,6 cm)

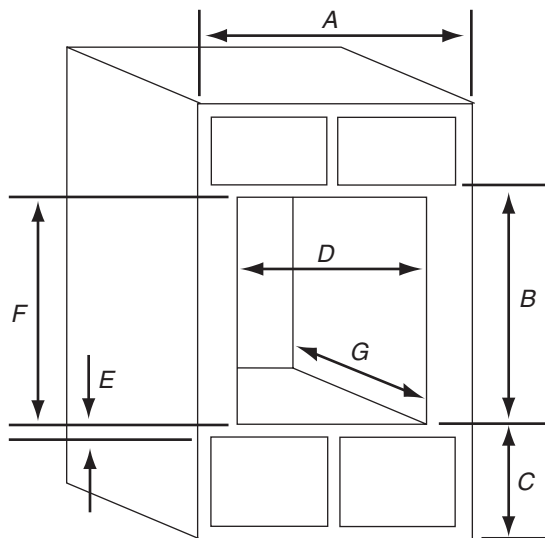
- A. 25¹/₄" (64,1 cm) de largeur d'encastrement max.
- B. 52¹/₄" (132,8 cm) de hauteur totale max.
- C. 26³/₄" (67,9 cm) de largeur totale max.
- D. 24³/₈" (61,9 cm) de profondeur totale max.
- E. 49¹/₂" (125,8 cm) de hauteur d'encastrement max.

Modèles de 30" (76,2 cm)

- A. 28" (71,1 cm) de largeur d'encastrement max.
- B. 52¹/₄" (132,8 cm) de hauteur totale max.
- C. 29³/₄" (75,6 cm) de largeur totale max.
- D. 24³/₈" (61,9 cm) de profondeur totale max.
- E. 49¹/₂" (125,8 cm) de hauteur d'encastrement max.

Dimensions du placard - Fours doubles

Fours doubles installés dans un placard



Modèles de 27" (68,6 cm)

- A. 27" (68,6 cm) min. de largeur de placard
- B. 52¹/₂" (133,4 cm) du fond de l'encastrement au-dessous de la porte du placard supérieur
- C. Distance recommandée de 14³/₄" (37,5 cm) entre le bas de l'ouverture et le plancher. Une distance de 4" (10,2 cm) à 14³/₄" (37,5 cm) entre le bas de l'ouverture et le plancher est acceptable.
- D. 25¹/₂" (64,8 cm) Largeur recommandée de l'encastrement (conviendra à la largeur d'encastrement de 24⁷/₈" [63,2 cm] à 25¹/₂" [64,8 cm])
- E. 1¹/₂" (3,8 cm) min. du fond de l'encastrement au-dessus de la porte du placard
- F. 49³/₄" (126,4 cm) Hauteur recommandée d'encastrement (conviendra à une hauteur d'encastrement de 49³/₄" [126,4 cm] à 51¹⁵/₁₆" [131,9 cm])
- G. 24" (61,0 cm) Profondeur d'encastrement minimale

Modèles de 30" (76,2 cm)

- A. 30" (76,2 cm) min. de largeur de placard
- B. 52¹/₂" (133,4 cm) du fond de l'encastrement au-dessous de la porte du placard supérieur
- C. Distance recommandée de 14³/₄" (37,5 cm) entre le bas de l'ouverture et le plancher. Une distance de 4" (10,2 cm) à 14³/₄" (37,5 cm) entre le bas de l'ouverture et le plancher est acceptable.
- D. 28¹/₂" (72,4 cm) Largeur recommandée de l'encastrement (conviendra à la largeur d'encastrement de 28¹/₂" [72,4 cm] à 29" [73,7 cm])
- E. 1¹/₂" (3,8 cm) min. du fond de l'encastrement au-dessus de la porte du placard
- F. 49³/₄" (126,4 cm) Hauteur recommandée d'encastrement (conviendra à une hauteur d'encastrement de 49³/₄" [126,4 cm] à 51¹⁵/₁₆" [131,9 cm])
- G. 24" (61,0 cm) Profondeur d'encastrement minimale

Spécifications électriques

Si on utilise un conducteur distinct de liaison à la terre et lorsque les codes le permettent, il est recommandé qu'un électricien qualifié vérifie que la liaison à la terre et le calibre pour fils sont conformes aux codes locaux.

En cas de doute quant à la qualité de la liaison à la terre du four, consulter un électricien qualifié.

Ce four doit être raccordé à un système de câblage métallique permanent.

S'assurer que la connexion électrique et le calibre des fils sont appropriés et conformes au National Electrical Code, aux normes ANSI/NFPA 70 – dernière édition, ou aux normes CSA C22.1-94, au Code canadien de l'électricité, Partie 1 et C22.2 N° O-M91 – dernière édition, et à tous les codes et règlements locaux.

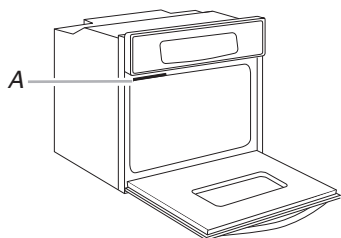
Pour obtenir un exemplaire des normes des codes ci-dessus, contacter :

National Fire Protection Association
One Batterymarch Park
Quincy, MA 02269
CSA International
8501 East Pleasant Valley Road
Cleveland, OH 44131-5575

Raccordement électrique

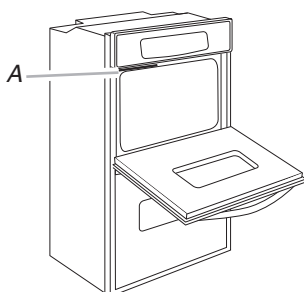
Pour installer le four correctement, il faut établir le type de raccords électriques que l'on utilisera et suivre les instructions indiquées ici.

- Le four doit être alimenté par une source d'électricité appropriée (caractéristiques de tension et fréquence telles que spécifiées sur la plaque signalétique). La plaque signalétique se trouve sous le tableau de commande pour les fours simples et sous le tableau de commande, dans la cavité supérieure du four pour les fours doubles. Voir l'illustration ci-dessous.



Four simple

A. Plaque signalétique



Four double

A. Plaque signalétique

- Un modèle à 240 volts de 7,3 à 9 kW (208 volts de 5,4 à 7,4 kW) doit être alimenté par un circuit indépendant de 40 A. Un modèle à 240 volts de 4,8 kW ou moins (208 volts de 3,6 kW ou moins) doit être alimenté par un circuit indépendant de 20 A.
- L'emploi d'un disjoncteur est recommandé.
- Raccorder l'appareil directement au disjoncteur (ou tableau de distribution) par un câble flexible à conducteur de cuivre et gaine métallique blindée ou gaine non métallique (avec conducteur de liaison à la terre). Voir la section "Raccordement électrique".
- Le câble flexible du four doit être connecté directement dans le boîtier de connexion.
- Protéger par fusible aux deux extrémités de la ligne.
- Ne pas couper le câble. La longueur du câble fourni est destinée à faciliter l'entretien du four.
- L'installateur doit fournir un connecteur de conduit (homologation UL ou CSA).
- Si le domicile est équipé d'un câblage en aluminium, suivre les instructions suivantes :
 1. Raccorder une section de câble en cuivre massif aux conducteurs en queue de cochon.
 2. Connecter le câblage en aluminium à la section ajoutée de câblage en cuivre en utilisant des connecteurs et/ou des outils spécialement conçus et homologués UL pour fixer le cuivre à l'aluminium.

Suivre la procédure recommandée par le fabricant de connecteurs électriques. La connexion aluminium/cuivre doit être conforme aux codes locaux et aux pratiques de câblage acceptées par l'industrie.

INSTRUCTIONS D'INSTALLATION

Préparation du four encastré

1. Choisir l'emplacement final pour l'installation du four. Éviter de percer ou d'endommager le câblage lors de l'installation.

⚠ AVERTISSEMENT

Risque du poids excessif

Utiliser deux ou plus de personnes pour déplacer et installer le four.

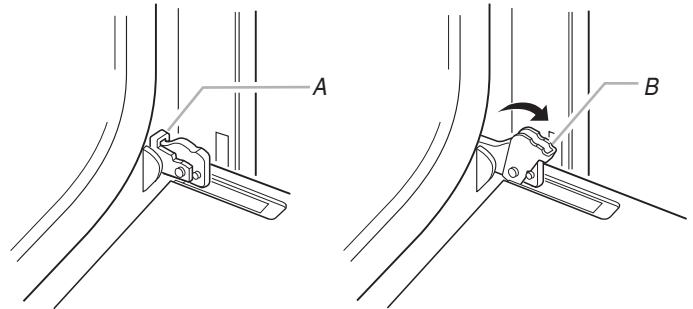
Le non-respect de cette instruction peut causer une blessure au dos ou d'autre blessure.

2. Pour éviter d'endommager le plancher, placer le four sur une feuille de carton avant l'installation. Lors des opérations de levage, ne pas prendre prise sur la poignée ou sur une autre partie du châssis avant.
3. Enlever les matériaux d'emballage et les rubans adhésifs du four.
4. Enlever le sachet de matériel à l'intérieur du sachet de documentation.
5. Enlever et conserver à part les grilles et autres composants qu'on trouve à l'intérieur du four.
6. Approcher le four et la feuille de carton de l'emplacement final du four.

Dépose de la porte du four

IMPORTANT : Employer les deux mains pour enlever la/les porte(s) du four.

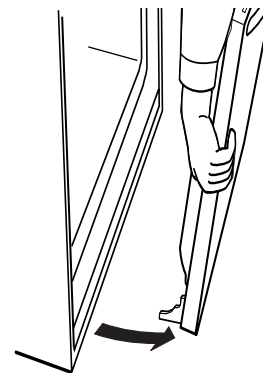
1. Ouvrir la porte du four.
2. Identifier les charnières de la porte du four dans les deux angles de la porte; faire pivoter les charnières vers l'avant jusqu'à la position de déverrouillage.



A. Loquet de la porte du four en position de verrouillage

B. Loquet de la porte du four en position de déverrouillage

3. Saisir les bords de la porte du four avec les deux mains et effectuer une manœuvre de fermeture de la porte du four, jusqu'à la position où la fermeture de la porte n'est plus possible. Soulever et tirer la porte du four vers soi et enlever la porte. Conserver la/les porte(s) du four à part sur une surface de travail couverte.



Raccordement électrique

Fours doubles

⚠ AVERTISSEMENT



Risque de choc électrique

Déconnecter la source de courant électrique avant l'entretien.

Utiliser du fil en cuivre rigide de calibre 8.

Relier le four à la terre.

Le non-respect de ces instructions peut causer un décès, un incendie ou un choc électrique.

Fours simples

⚠ AVERTISSEMENT



Risque de choc électrique

Déconnecter la source de courant électrique avant d'entreprendre le travail.

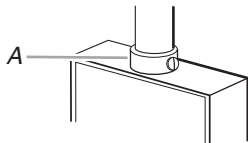
Utiliser du fil en cuivre rigide de calibre 12.

Relier le four à la terre.

Le non-respect de ces instructions peut causer un décès, un incendie ou un choc électrique.

Le câblage d'alimentation de ce four comporte un conducteur neutre (blanc) et un conducteur vert (ou nu) de liaison à la terre connecté à la caisse; ces deux conducteurs sont torsadés.

1. Déconnecter la source de courant électrique.
2. Faire passer le conduit de câble flexible depuis le four à travers l'ouverture dans le placard.
3. Le cas échéant, enlever le couvercle du boîtier de connexion.
4. Installer un connecteur de conduit (homologation UL ou CSA) sur le boîtier de connexion.



A. Connecteur de conduit (homologation UL ou CSA)

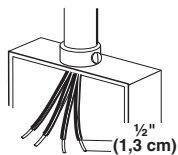
5. Acheminer le conduit de câble flexible depuis le four jusqu'au boîtier de connexion - utiliser un connecteur de conduit (homologation UL ou CSA).
6. Serrer les vis sur le connecteur de conduit.
7. Voir "Tableau des options de raccordement électrique" pour terminer l'installation correspondant à votre type de raccordement électrique.

Tableau des options de raccordement électrique

Câblage de la maison :

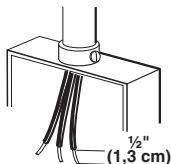
Voir la section :

4 conducteurs



Câble à 4 conducteurs depuis le point de distribution du domicile

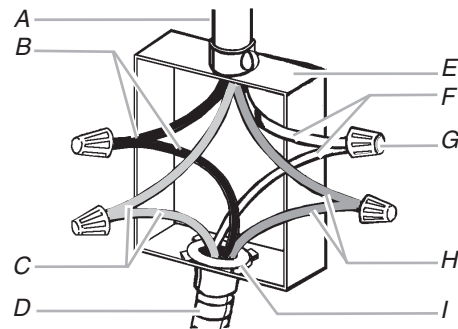
3 conducteurs



Câble à 3 conducteurs depuis le point de distribution du domicile

Câble à 4 conducteurs depuis le point de distribution du domicile

IMPORTANT : Utiliser le câble à 4 conducteurs provenant du point de distribution du domicile aux États-Unis lorsque les codes ne permettent pas la mise à la terre par l'intermédiaire du conducteur neutre, en cas de nouvelle installation avec alimentation par un circuit secondaire (1996 NEC), dans les résidences mobiles et les véhicules récréatifs, dans les nouvelles constructions, et au Canada.



A. Câble depuis le point de distribution du domicile

B. Conducteurs noirs

C. Conducteurs rouges

D. Câble flexible à 4 conducteurs depuis le four

E. Boîtier de connexion

F. Conducteurs blancs

G. Connecteurs de fils (homologation UL)

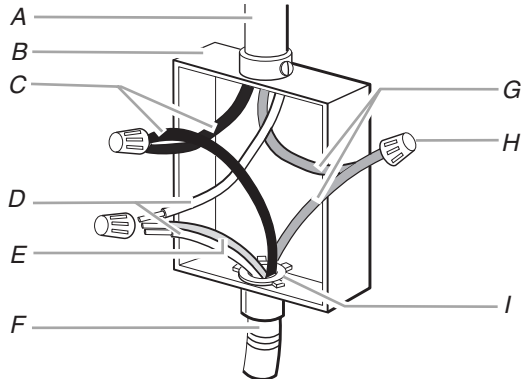
H. Conducteurs verts (ou nus) de liaison à la terre

I. Connecteur de conduit (homologation UL ou CSA)

1. Connecter ensemble les 2 conducteurs noirs (B) avec un connecteur de fils (homologation UL).
2. Connecter ensemble les 2 conducteurs rouges (C) avec un connecteur de fils (homologation UL).
3. Détorsader le conducteur blanc du conducteur vert (ou nu) de liaison à la terre provenant du four.
4. Connecter ensemble les 2 conducteurs blancs (F) avec un connecteur de fils (homologation UL).
5. Connecter le conducteur vert (ou nu) de liaison à la terre (H) du câble du four au conducteur vert (ou nu) de liaison à la terre dans le boîtier de connexion - utiliser un connecteur de fils (homologation UL).
6. Installer le couvercle du boîtier de connexion.

Câble à 3 conducteurs depuis le point de distribution du domicile - É.-U. seulement

IMPORTANT : Utiliser le câble à 3 conducteurs depuis le point de distribution du domicile lorsque les codes locaux autorisent un tel raccordement.



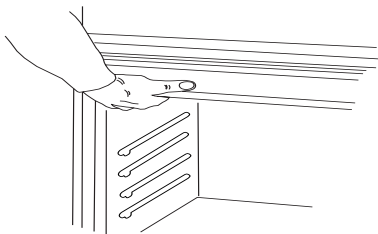
- | | |
|---|---|
| A. Câble depuis le point de distribution du domicile | F. Câble flexible à 4 conducteurs depuis le four |
| B. Boîtier de connexion | G. Conducteurs rouges |
| C. Conducteurs noirs | H. Connecteurs de fils (homologation UL) |
| D. Conducteurs blancs | I. Connecteur de conduit (homologation UL ou CSA) |
| E. Conducteur vert (ou nu) de liaison à la terre (depuis le four) | |

1. Connecter ensemble les 2 conducteurs noirs (C) avec un connecteur de fils (homologation UL).
2. Connecter les 2 conducteurs blancs (D) et le conducteur vert (ou nu) de liaison à la terre (du câble du four) avec un connecteur de fils (homologation UL).
3. Connecter ensemble les 2 conducteurs rouges (G) avec un connecteur de fils (homologation UL).
4. Installer le couvercle du boîtier de connexion.

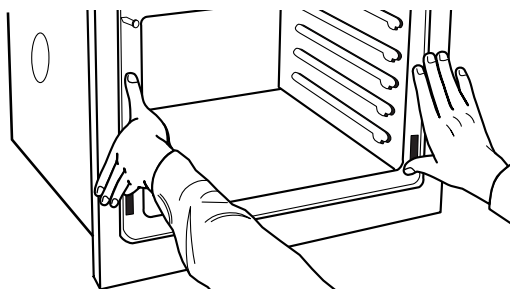
Installation du four

1. À l'aide de 2 personnes ou plus, soulever et introduire partiellement le four dans l'ouverture du placard. Utiliser l'ouverture du four comme zone de prise.

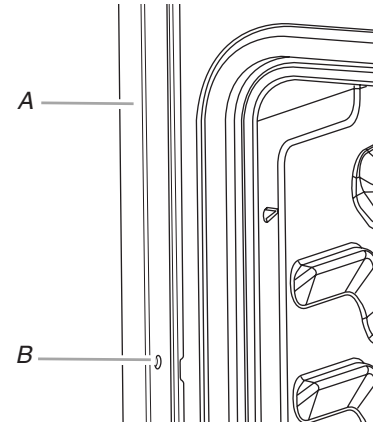
REMARQUE : Pousser le four pour l'introduire dans le placard en poussant contre la zone du joint du four sur le châssis avant. Ne pas pousser contre les bords externes.



2. Pousser complètement le four dans le placard; centrer le four dans la cavité du placard.

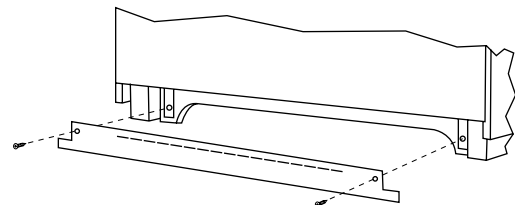


3. Fixer solidement le four sur les éléments du placard avec les vis n° 8-14 x 3/4" fournies (4 pour un four simple, 8 pour un four double). Insérer les vis à travers les trous des garnitures décoratives. Ne pas serrer excessivement les vis.



- A. Garniture décorative
B. Insérer la vis.

4. L'évent inférieur est fixé au-dessus de la cavité du châssis du four. Pour l'installation, procéder selon les instructions suivantes.
 - Aligner le trou de montage de l'évent du four inférieur avec les trous du châssis du four.
 - Avec une vis n° 8-18 x 3/8" pour chaque côté de la garniture, fixer solidement l'évent au châssis du four.



IMPORTANT : Ne pas obstruer l'arrivée d'air qui se trouve le long du bas du four.

5. Réinstaller les grilles du four.
6. Saisir la porte de chaque côté.
7. Réinstaller la porte du four – aligner et insérer les extrémités des charnières dans les encoches de charnières sur le châssis du four.
8. Enfoncer les charnières aussi loin que possible et ouvrir la porte du four complètement. On doit percevoir le mouvement de la porte du four lorsqu'elle se met en place.
9. Réinstaller les loquets en position verrouillée.
10. Vérifier que la porte s'ouvre et se ferme facilement. Si tel n'est pas le cas, répéter le processus de dépose et d'installation de la porte. Voir la section "Dépose de la porte du four".
11. Répéter cette procédure pour la porte du four inférieur.
12. Reconnecter la source de courant électrique.
13. Le tableau d'affichage s'allumera brièvement et l'horloge devrait apparaître sur l'affichage.
14. Si le tableau d'affichage ne s'allume pas, consulter la section "Assistance ou service" du Guide d'utilisation et d'entretien ou contacter le marchand qui vous a vendu le four.

Achever l'installation

1. Vérifier que toutes les pièces sont maintenant installées. S'il reste une pièce, passer en revue les différentes étapes pour découvrir laquelle aurait été oubliée.
2. Vérifier la présence de tous les outils.
3. Éliminer/recycler les matériaux d'emballage.
4. Pour l'utilisation et le nettoyage du four, lire le Guide d'utilisation et d'entretien.

Vérification du fonctionnement du four simple

1. Mettre l'appareil sous tension.
2. À la première utilisation, régler la langue, les réglages régionaux, l'horloge, la date et l'apparence de l'écran. Consulter le Guide d'utilisation et d'entretien pour plus de détails.
3. Appuyer sur Upper/Lower (supérieur/inférieur).
4. Appuyer sur BROIL (cuisson au gril).
5. Régler la température.
6. Appuyer sur START (mise en marche).

Si le(s) four(s) ne fonctionne(nt) pas, contrôler ce qui suit :

- Les fusibles du domicile sont intacts et serrés; le disjoncteur n'est pas déclenché.
 - L'appareil est raccordé à l'alimentation électrique.
 - Voir la section "Dépannage" dans le guide d'utilisation et d'entretien.
7. Après que le four a fonctionné pendant 5 minutes, vérifier qu'il y a émission de chaleur.
Si l'on ne détecte aucune chaleur ou si un message d'erreur apparaît sur l'affichage, éteindre le four et contacter un technicien qualifié.
 8. Appuyer sur CANCEL UPPER/LOWER (annuler four supérieur/inférieur) sur les fours doubles, ou appuyer sur CANCEL sur les fours simples.

Si vous avez besoin d'assistance ou de service :

Consulter la section "Assistance ou service" du Guide d'utilisation et d'entretien ou contacter le marchand chez qui le four encastré a été acheté.