

JENN-AIR® Dual Fuel Downdraft Slide-in Range

PRODUCT MODEL NUMBERS

JDS9860BD

JDS9865BD

Gas supply: Natural gas supply line must have a natural gas service regulator. Inlet pressure to this appliance should be reduced to a maximum of 14" water column (0.5 pounds per square inch (p.s.i.)) liquefied petroleum propane gas supply line must have a L.P. gas pressure regulator. Inlet pressure to this appliance should be reduced to a maximum of 14" water column (0.5 p.s.i.). Inlet pressures in excess of 0.5 p.s.i. can damage the appliance pressure regulator and other gas components in this appliance and can result in a gas leak.

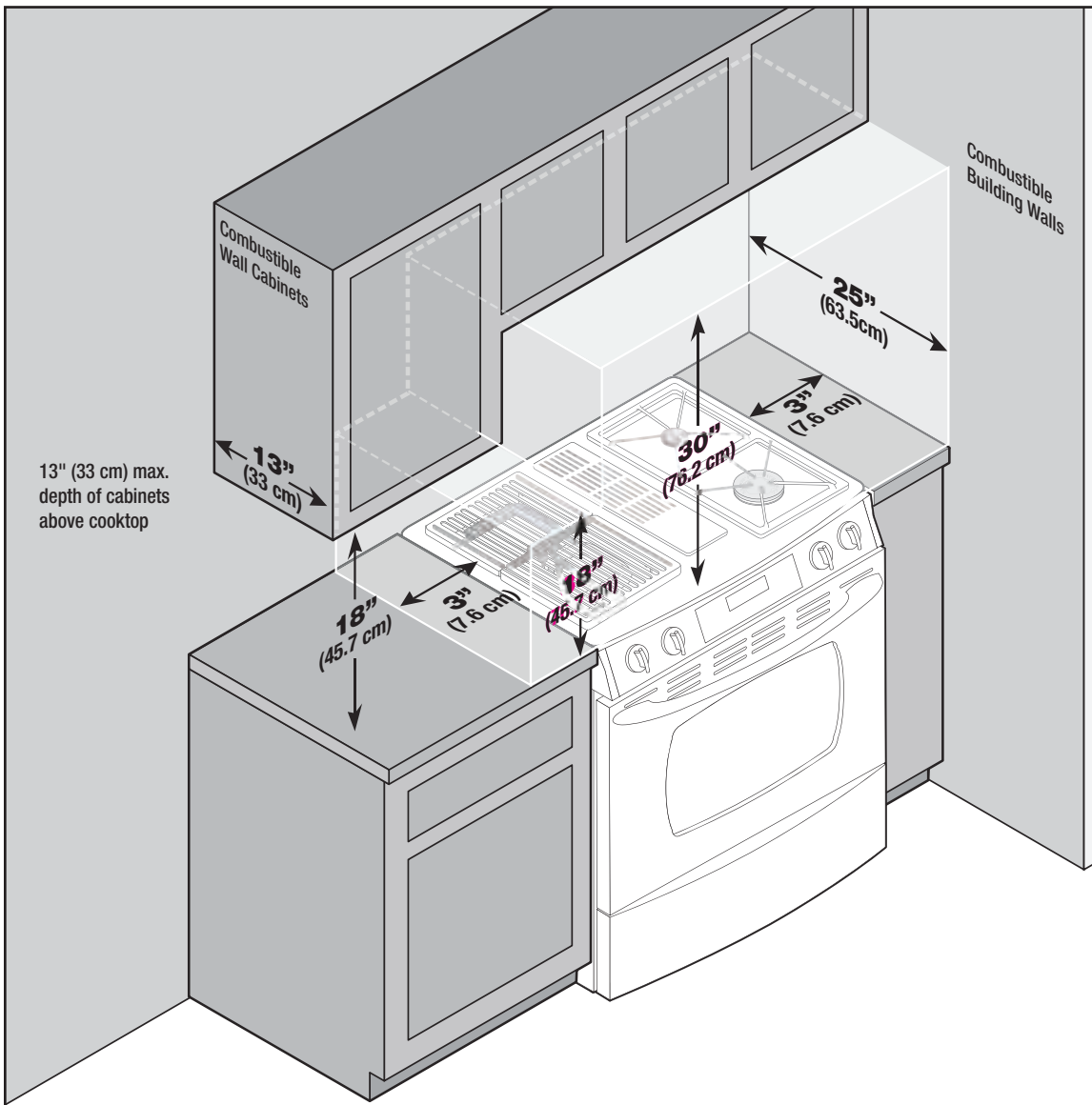
Gas supply pressure for testing regulator must be at least 1" water column pressure above manifold pressure shown on serial plate.

NOTE: It is recommended to use a CSA certified flexible connector no longer than 36" (91.4 cm) with a minimum BTU/HR rating of 60,000.

A gas shut-off valve should be put in an accessible location in the supply line ahead of the range, for turning on and turning off gas supply. Range is to be connected to house piping with flexible metal connectors for gas appliances. Connector nuts must not be connected directly to pipe threads. The connectors must be installed with adaptors provided with the connector.

Electrical: This range requires a single-phase three-wire 120/240- or a 120/208-volt, 60-Hz, AC-circuit. Wiring codes require a separate circuit be run from the main entrance panel to the range and that it be equipped with separate disconnect switch and fuses, either in the main entrance panel or in a separate switch and fuse box.

CLEARANCE DIMENSIONS



Range may be installed with 0" (0 cm) clearance adjacent to (against) combustible construction at the rear and on the sides below the cooktop.

NOTE: 30" (76.2 cm) dimension between cooking top and wall cabinet shown on illustration does not apply to ranges with an elevated oven or microwave. The installation instructions of the elevated oven will specify the minimum acceptable dimension between the cooktop and elevated oven. The 30" (76.2 cm) dimension may be reduced to not less than 24" (61 cm) when the wall cabinets in a domestic home are protected with fireproof materials in accordance with American National Standards - National Fuel Gas Code or in mobile homes when they are protected with fireproof materials in accordance with the Federal Standard for Mobile Home Construction and Safety.

JENN-AIR® Dual Fuel Downdraft Slide-in Range

CABINET OPENING DIMENSIONS

