

INSTALLATION INSTRUCTIONS

30" (76.2 CM) SLIDE-IN DUAL FUEL RANGES

INSTRUCTIONS POUR L'INSTALLATION DES CUISINIÈRES À BI-COMBUSTIBLE ENCASTRABLES DE 30" (76,2 CM)

Table of Contents	Table des matières
RANGE SAFETY 2	SÉCURITÉ DE LA CUISINIÈRE 18
INSTALLATION REQUIREMENTS 3	EXIGENCES D'INSTALLATION 19
Tools and Parts..... 3	Outillage et pièces 19
Location Requirements..... 3	Exigences d'emplacement 19
Electrical Requirements - U.S.A. Only..... 5	Spécifications électriques –
Electrical Requirements - Canada Only 6	Canada uniquement 21
Gas Supply Requirements..... 7	Spécifications de l'alimentation en gaz..... 22
Countertop Preparation..... 8	Préparation du plan de travail 23
INSTALLATION INSTRUCTIONS 8	INSTRUCTIONS D'INSTALLATION 23
Unpack Range 8	Déballage de la cuisinière..... 23
Adjust Leveling Legs..... 8	Réglage des pieds de nivellement 24
Install Anti-Tip Bracket 9	Installation de la bride antibasculement..... 24
Electrical Connection - U.S.A. Only 9	Raccordement au gaz 25
Make Gas Connection 11	Vérifier que la bride antibasculement
Verify Anti-Tip Bracket Is	est bien installée et engagée..... 25
Installed and Engaged 12	Réglage de l'aplomb de la cuisinière 26
Level Range 13	Système d'allumage électronique..... 26
Electronic Ignition System..... 13	Achever l'installation..... 27
Complete Installation 13	CONVERSIONS POUR CHANGEMENT
GAS CONVERSIONS 14	DE GAZ 28
LP Gas Conversion 14	Conversion pour l'alimentation au propane..... 28
Natural Gas Conversion..... 16	Conversion pour l'alimentation au gaz naturel.... 30

IMPORTANT:

Installer: Leave installation instructions with the homeowner.

Homeowner: Keep installation instructions for future reference.

IMPORTANT :

Installateur : Remettre les instructions d'installation au propriétaire.

Propriétaire : Conserver les instructions d'installation pour référence ultérieure.

RANGE SAFETY

Your safety and the safety of others are very important.

We have provided many important safety messages in this manual and on your appliance. Always read and obey all safety messages.



This is the safety alert symbol.

This symbol alerts you to potential hazards that can kill or hurt you and others.

All safety messages will follow the safety alert symbol and either the word "DANGER" or "WARNING."

These words mean:

⚠ DANGER

You can be killed or seriously injured if you don't immediately follow instructions.

⚠ WARNING

You can be killed or seriously injured if you don't follow instructions.

All safety messages will tell you what the potential hazard is, tell you how to reduce the chance of injury, and tell you what can happen if the instructions are not followed.

WARNING: If the information in this manual is not followed exactly, a fire or explosion may result causing property damage, personal injury or death.

- Do not store or use gasoline or other flammable vapors and liquids in the vicinity of this or any other appliance.
- **WHAT TO DO IF YOU SMELL GAS:**
 - Do not try to light any appliance.
 - Do not touch any electrical switch.
 - Do not use any phone in your building.
 - Immediately call your gas supplier from a neighbor's phone. Follow the gas supplier's instructions.
 - If you cannot reach your gas supplier, call the fire department.
- Installation and service must be performed by a qualified installer, service agency or the gas supplier.

WARNING: Gas leaks cannot always be detected by smell.

Gas suppliers recommend that you use a gas detector approved by UL or CSA.

For more information, contact your gas supplier.

If a gas leak is detected, follow the "What to do if you smell gas" instructions.

In the State of Massachusetts, the following installation instructions apply:

- Installations and repairs must be performed by a qualified or licensed contractor, plumber, or gasfitter qualified or licensed by the State of Massachusetts.
- If using a ball valve, it shall be a T-handle type.
- A flexible gas connector, when used, must not exceed 3 feet.

⚠ WARNING

Tip Over Hazard

A child or adult can tip the range and be killed.

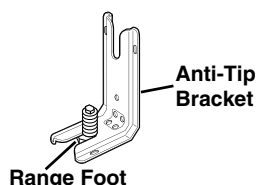
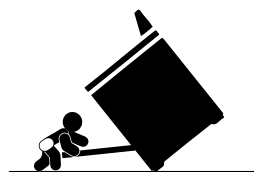
Install anti-tip bracket to floor or wall per installation instructions.

Slide range back so rear range foot is engaged in the slot of the anti-tip bracket.

Re-engage anti-tip bracket if range is moved.

Do not operate range without anti-tip bracket installed and engaged.

Failure to follow these instructions can result in death or serious burns to children and adults.



To verify the anti-tip bracket is installed and engaged:

- Slide range forward.
- Look for the anti-tip bracket securely attached to floor or wall.
- Slide range back so rear range foot is under anti-tip bracket.
- See installation instructions for details.

INSTALLATION REQUIREMENTS

Tools and Parts

Gather the required tools and parts before starting installation. Read and follow the instructions provided with any tools listed here.

Tools needed

- Tape measure
- Phillips screwdriver
- Flat-blade screwdriver
- 1/8" flat-blade screwdriver
- Level
- Hand or electric drill
- Wrench or pliers
- Pipe wrench
- 15/16" combination wrench
- 1/8" (3.2 mm) drill bit (for wood floors)
- Marker or pencil
- Pipe-joint compound resistant to LP gas
- 3/16" (4.8 mm) carbide-tipped masonry drill bit (for concrete/ceramic floors)
- Noncorrosive leak-detection solution

For LP/Natural Gas Conversions

- 1/2" combination wrench
- 1/4" (6 mm) nut driver
- 3/32" (7 mm) nut driver
- Masking tape

Parts supplied

Check that all parts are included.

- LP/Natural Gas Conversion Kit (taped on regulator support at back of range)
- 5 - Burner caps
- 2 - Burner grates
- 3 - Oven racks
- 2 - #12 x 1 5/8" screws (for mounting anti-tip bracket)
- 1 - Metal ground strap (for 3-wire connection)
- Anti-tip bracket (taped to package containing literature)

Anti-tip bracket must be securely mounted to the back wall or floor. Thickness of flooring may require longer screws to anchor bracket to subfloor. Longer screws are available from your local hardware store.

Parts needed

Check local codes and consult gas supplier. Check existing gas supply and electrical supply. See "Electrical Requirements" and "Gas Supply Requirements" sections.

Location Requirements

IMPORTANT: Observe all governing codes and ordinances. Do not obstruct flow of combustion and ventilation air.

- It is the installer's responsibility to comply with installation clearances specified on the model/serial rating plate. The model/serial rating plate is located behind the storage drawer on the right-hand side of the oven frame.
- The range should be located for convenient use in the kitchen.
- Recessed installations must provide complete enclosure of the sides and rear of the range.
- To eliminate the risk of burns or fire by reaching over heated surface units, cabinet storage space located above the surface units should be avoided. If cabinet storage is to be provided, the risk can be reduced by installing a range hood or microwave hood combination that projects horizontally a minimum of 5" (12.7 cm) beyond the bottom of the cabinets.
- All openings in the wall or floor where range is to be installed must be sealed.
- Cabinet opening dimensions that are shown must be used. Given dimensions are minimum clearances.
- The anti-tip bracket must be installed. To install the anti-tip bracket shipped with the range, see "Install Anti-Tip Bracket" section.
- Grounded electrical supply is required. See "Electrical Requirements" section.
- Proper gas supply connection must be available. See "Gas Supply Requirements" section.
- Contact a qualified floor covering installer to check that the floor covering can withstand at least 200°F (93°C).
- Use an insulated pad or 1/4" (0.64 cm) plywood under range if installing range over carpeting.

IMPORTANT: To avoid damage to your cabinets, check with your builder or cabinet supplier to make sure that the materials used will not discolor, delaminate or sustain other damage. This oven has been designed in accordance with the requirements of UL and CSA International and complies with the maximum allowable wood cabinet temperatures of 194°F (90°C).

Mobile Home - Additional Installation Requirements

The installation of this range must conform to the Manufactured Home Construction and Safety Standard, Title 24 CFR, Part 3280 (formerly the Federal Standard for Mobile Home Construction and Safety, Title 24, HUD Part 280). When such standard is not applicable, use the Standard for Manufactured Home Installations, ANSI A225.1/NFPA 501A or with local codes.

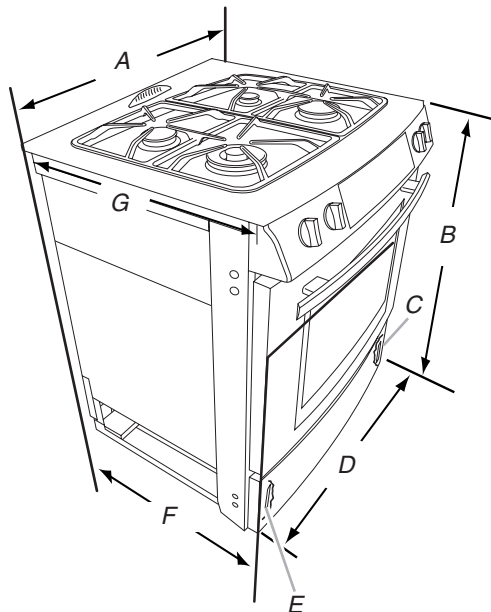
In Canada, the installation of this range must conform with the current standards CAN/CSA-A240-latest edition, or with local codes.

Mobile home installations require:

- When this range is installed in a mobile home, it must be secured to the floor during transit. Any method of securing the range is adequate as long as it conforms to the standards listed above.

Product Dimensions

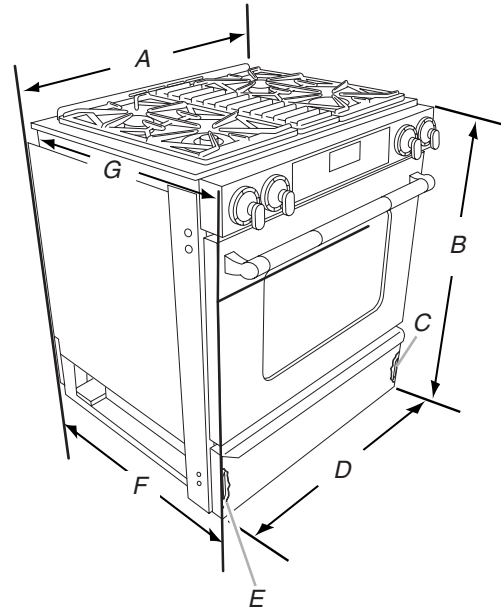
Model JDS8850



- A. 30³/₄" (78.1 cm)
- B. 35³/₄" (90.8 cm) height to underside of cooktop edge with leveling legs screwed all the way in*
- C. Model/serial number plate (located behind the storage drawer on the right-hand side of the oven frame)
- D. 29⁷/₈" (75.9 cm)
- E. Gas information plate (located behind the warming drawer on the left-hand side of oven frame)
- F. 29" (73.4 cm) from handle to back of range**
- G. 23" (58.4 cm) countertop notch to rear of cooktop

Model JDS8860

NOTE: Cooktop shown may differ from your model.



- A. 30⁷/₈" (78.4 cm)
- B. 35³/₄" (90.8 cm) height to underside of cooktop edge with leveling legs screwed all the way in*
- C. Model/serial number plate (located behind the storage drawer on the right-hand side of the oven frame)
- D. 29⁷/₈" (75.9 cm)
- E. Gas information plate (located behind the storage drawer on the left-hand side of the oven frame)
- F. 29" (73.7 cm) from handle to back of range**
- G. 27" (68.6 cm) from handle to rear of cooktop

*Range can be raised approximately 1" (2.5 cm) by adjusting the leveling legs.

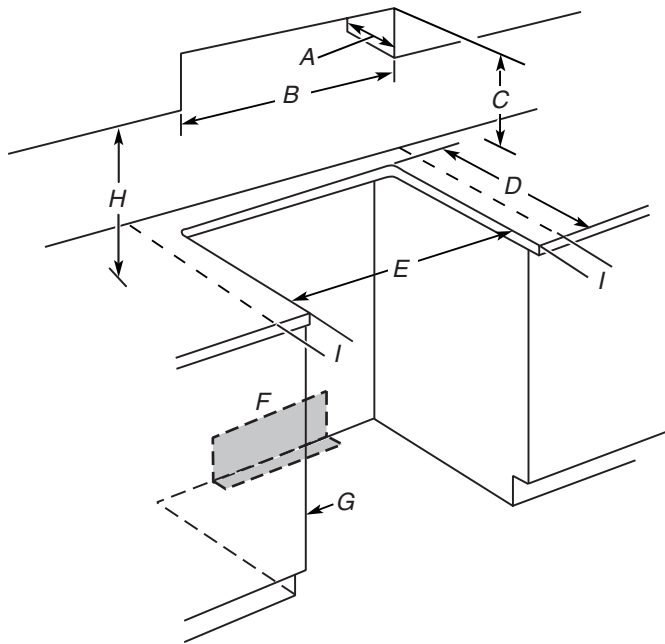
**When installed in a 24" (61.0 cm) base cabinet with 25" (63.5 cm) countertop; front of oven door protrudes 5" (12.7 cm) beyond 24" (61.0 cm) base cabinet.

Cabinet Dimensions

Cabinet opening dimensions shown are for 25" (64.0 cm) countertop depth, 24" (61.0 cm) base cabinet depth and 36" (91.4 cm) countertop height.

IMPORTANT: If installing a range hood or microwave hood combination above the range, follow the range hood or microwave hood combination installation instructions for dimensional clearances above the cooktop surface.

Range may be installed with zero clearance to combustible construction at the rear and on the sides below the cooktop.



- A. 13" (33.0 cm) upper cabinet depth
- B. 30" (76.2 cm) min. opening width
- C. For minimum clearance to the top of the cooktop, see NOTE.
- D. 23¼" (59.1 cm) opening depth
- E. 30" (76.2 cm) min. opening width
- F. Electrical and gas supply - 5½" (14.0 cm) min. from either cabinet, 10" (25.4 cm) max. from floor. Nothing located in shaded area can extend more than 2¼" (5.7 cm) from back wall or range will not slide all the way back. Grounded outlet must be flush mounted.
- G. Cabinet door or hinge should not extend into cutout.
- H. 18" (45.7 cm)
- I. 3" (7.6 cm) min. clearance from both sides of the range to the side wall or other combustible material.

NOTE: 24" (61.0 cm) minimum when bottom of wood or metal cabinet is shielded by not less than ¼" (0.64 cm) flame retardant millboard covered with not less than No. 28 MSG sheet steel, 0.015" (0.4 mm) stainless steel, 0.024" (0.6 mm) aluminum or 0.020" (0.5 mm) copper.

30" (76.2 cm) minimum clearance between the top of the cooking platform and the bottom of an uncovered wood or metal cabinet.

Electrical Requirements - U.S.A. Only

The electrical connection to this range is designed only for use with a flexible power cord. All ranges are shipped with a specially designed 4-wire power supply cord. This cord should be used on all new branch circuits, mobile homes and when local codes prohibit grounding through the neutral. For a 3-wire power supply cord replacement, service kit Part Number 74011285 must be used.

If codes permit and a separate ground wire is used, it is recommended that a qualified electrical installer determine that the ground path and wire gauge are in accordance with local codes.

Do not use an extension cord.

Be sure that the electrical connection and wire size are adequate and in conformance with the National Electrical Code, ANSI/NFPA 70-latest edition and all local codes and ordinances.

A copy of the above code standards can be obtained from:

National Fire Protection Association
1 Batterymarch Park
Quincy, MA 02169-7471

WARNING: Improper connection of the equipment-grounding conductor can result in a risk of electric shock. Check with a qualified electrician or service technician if you are in doubt as to whether the appliance is properly grounded. Do not modify the power supply cord plug. If it will not fit the outlet, have a proper outlet installed by a qualified electrician.

Electrical Connection

To properly install your range, you must determine the type of electrical connection you will be using and follow the instructions provided for it here.

- Range must be connected to the proper electrical voltage and frequency as specified on the model/serial number rating plate. The model/serial number rating plate is located behind the storage or warming drawer on the right-hand side of the oven frame or on the right-hand side of the bottom oven frame, depending on your model. Refer to the figures in the "Product Dimensions" section of the "Location Requirements" section.
- This range is manufactured with a 4-wire 40-amp power cord. For a 3-wire connection order UL listed power cord Part Number 74011285.

Range Rating*	Specified Rating of Power Supply Cord Kit and Circuit Protection	
	120/240 Volts	120/208 Volts
8.8 - 16.5 KW		7.8 - 12.5 KW
16.6 - 22.5 KW		12.6 - 18.5 KW
		Amps
		40 or 50**
		50

*The NEC calculated load is less than the total connected load listed on the model/serial number rating plate.

**If connecting to a 50-amp circuit, use a 50-amp rated cord with kit. For 50-amp rated cord kits, use kits that specify use with a nominal 1½" (34.9 mm) diameter connection opening.

- A circuit breaker is recommended.
- Wire sizes and connections must conform with the rating of the range.
- The wiring diagram is located at the back of the warming drawer.

Electrical Requirements - Canada Only

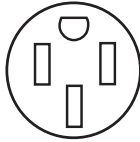
If connecting to a 4-wire system:

The green ground wire of the 4-wire power supply cord must be connected to the cabinet. See “Electrical Connection” section.

Grounding through the neutral conductor is prohibited for new branch-circuit installations (1996 NEC); mobile homes; and recreational vehicles, or an area where local codes prohibit grounding through the neutral conductor.

When a 4-wire receptacle of NEMA Type 14-50R is used, a matching UL listed, 4-wire, 250-volt, 40- or 50-amp, range power supply cord (pigtail) must be used. This cord contains 4 copper conductors with ring terminals or open-end spade terminals with upturned ends, terminating in a NEMA Type 14-50P plug on the supply end.

The fourth (grounding) conductor must be identified by a green or green/yellow cover and the neutral conductor by a white cover. Cord should be Type SRD or SRDT with a UL listed strain relief and be at least 4 ft (1.22 m) long.



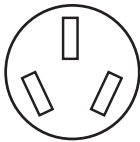
4-wire receptacle (14-50R)

The minimum conductor sized for the copper 4-wire power cord are:

- 40-amp circuit
- 2 No.-8 conductors
- 1 No.-10 white neutral
- 1 No.-8 green grounding

If connecting to a 3-wire system:

Local codes may permit the use of a UL listed, 3-wire, 250-volt, 40- or 50-amp range power supply cord (pigtail). Order UL listed 3-wire power cord Part Number 74011285. This cord contains 3 copper conductors with ring terminals or open-end spade terminals with upturned ends, terminating in a NEMA Type 10-50P plug on the supply end. Connectors on the appliance end must be provided at the point the power supply cord enters the appliance. This uses a 3-wire receptacle of NEMA Type 10-50R. For a 3-wire power supply cord replacement, service kit Part Number 74011285 must be used.



3-wire receptacle (10-50R)

⚠ WARNING



Electrical Shock Hazard

Electrically ground range.

Failure to do so can result in death, fire, or electrical shock.

If codes permit and a separate ground wire is used, it is recommended that a qualified electrical installer determine that the ground path is adequate and wire gauge are in accordance with local codes.

Be sure that the electrical connection and wire size are adequate and in conformance with CSA Standard C22.1, Canadian Electrical Code, Part 1 - latest edition, and all local codes and ordinances.

A copy of the above code standards can be obtained from:

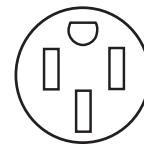
Canadian Standards Association
178 Rexdale Blvd.
Toronto, ON M9W 1R3 CANADA

- Check with a qualified electrical installer if you are not sure the range is properly grounded.

Range Rating*		Rating of Power Supply Cord	Circuit Protection
120/240 Volts	120/208 Volts	Amps	Amps
8.8 - 16.5 KW	7.8 - 12.5 KW	40	40 or 50
16.6 - 22.5 KW	12.6 - 18.5 KW	50	50

*The NEC calculated load is less than the total connected load listed on the model/serial rating plate.

- A time-delay fuse or circuit breaker is recommended.
- This range is equipped with a CSA International Certified Power Cord intended to be plugged into a standard 14-50R wall receptacle. Be sure the wall receptacle is within reach of range's final location.



- Do not use an extension cord.

Gas Supply Requirements

⚠ WARNING



Explosion Hazard

Use a new CSA International approved gas supply line.

Install a shut-off valve.

Securely tighten all gas connections.

If connected to LP, have a qualified person make sure gas pressure does not exceed 14" (36 cm) water column.

Examples of a qualified person include:

**licensed heating personnel,
authorized gas company personnel, and
authorized service personnel.**

Failure to do so can result in death, explosion, or fire.

Observe all governing codes and ordinances.

IMPORTANT: This installation must conform with all local codes and ordinances. In the absence of local codes, installation must conform with American National Standard, National Fuel Gas Code ANSI Z223.1 - latest edition or CAN/CGA B149 - latest edition.

IMPORTANT: Leak testing of the range must be conducted according to the manufacturer's instructions.

Type of Gas

Natural gas:

This range is design-certified by CSA International for use with Natural gas or, after proper conversion, for use with LP gas.

- This range is factory set for use with Natural gas. See "Gas Conversions" section. The gas information plate (located behind the warming or storage drawer on the side of the oven frame or on the side of the bottom oven frame, depending on your model) has information on the types of gas that can be used. If the types of gas listed do not include the type of gas available, check with the local gas supplier.

LP gas conversion:

Conversion must be done by a qualified service technician.

No attempt shall be made to convert the appliance from the gas specified on the model/serial rating plate for use with a different gas without consulting the serving gas supplier. See "Gas Conversions" section.

Gas Supply Line

- Provide a gas supply line of 3/4" (1.9 cm) rigid pipe to the range location. A smaller size pipe on longer runs may result in insufficient gas supply. With LP gas, piping or tubing size can be 1/2" (1.3 cm) minimum. Usually, LP gas suppliers determine the size and materials used in the system.

NOTE: Pipe-joint compounds that resist the action of LP gas must be used. Do not use TEFLON^{®†} tape.

Flexible metal appliance connector:

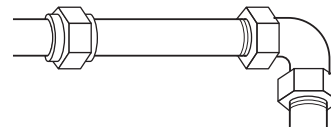
- If local codes permit, a new CSA design-certified, 4 to 5 ft (122 to 152.4 cm) long, 1/2" (1.3 cm) or 3/4" (1.9 cm) I.D., flexible metal appliance connector may be used for connecting range to the gas supply line.



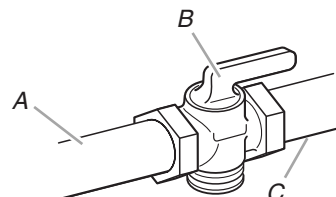
- A 1/2" (1.3 cm) male pipe thread is needed for connection to the female pipe threads of the inlet to the appliance pressure regulator.
- Do not kink or damage the flexible metal tubing when moving the range.

Rigid pipe connection:

The rigid pipe connection requires a combination of pipe fittings to obtain an in-line connection to the range. The rigid pipe must be level with the range connection. All strains must be removed from the supply and fuel lines so range will be level and in line.



- **Must include a shutoff valve:**
The supply line must be equipped with a manual shutoff valve. This valve should be located in the same room but external to the range opening, such as an adjacent cabinet. It should be in a location that allows ease of opening and closing. Do not block access to shutoff valve. The valve is for turning on or shutting off gas to the range.



A. Gas supply line
B. Shutoff valve "open" position
C. To range

Gas Pressure Regulator

The gas pressure regulator supplied with this range must be used. The inlet pressure to the regulator should be as follows for proper operation:

Natural gas:

Minimum pressure: 5" WCP

Maximum pressure: 14" WCP

LP gas:

Minimum pressure: 11" WCP

Maximum pressure: 14" WCP

Contact local gas supplier if you are not sure about the inlet pressure.

†TEFLON is a registered trademark of E.I. Du Pont De Nemours and Company.

Burner Input Requirements

Input ratings shown on the model/serial rating plate are for elevations up to 2,000 ft (609.6 m).

For elevations above 2,000 ft (609.6 m), ratings are reduced at a rate of 4% for each 1,000 ft (304.8 m) above sea level (not applicable for Canada).

Gas Supply Pressure Testing

Gas supply pressure for testing regulator must be at least 1" water column pressure above the manifold pressure shown on the model/serial rating plate.

Line pressure testing above ½ psi gauge (14" WCP)

The range and its individual shutoff valve must be disconnected from the gas supply piping system during any pressure testing of that system at test pressures in excess of ½ psi (3.5 kPa).

Line pressure testing at ½ psi gauge (14" WCP) or lower

The range must be isolated from the gas supply piping system by closing its individual manual shutoff valve during any pressure testing of the gas supply piping system at test pressures equal to or less than ½ psi (3.5 kPa).

Countertop Preparation

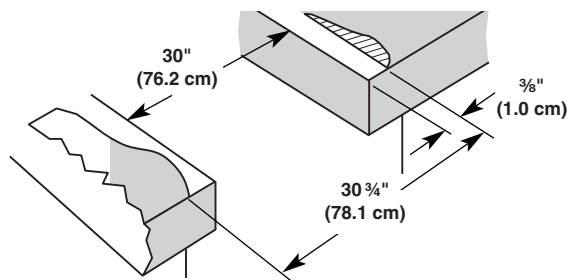
(for Slide-in Ranges Only)

The cooktop sides of the slide-in range fit over the cutout edge of your countertop.

If you have a square finish (flat) countertop and the opening width is 30" (76.2 cm), no countertop preparation is required.

Formed front-edged countertops must have molded edge shaved flat ⅜" (1.0 cm) from each front corner of opening.

Tile countertops may need trim cut back ⅜" (1.0 cm) from each front corner and/or rounded edge flattened.



If countertop opening width is greater than 30" (76.2 cm), adjust the ⅜" (1.0 cm) dimension.

Countertop must be level. Place level on countertop, first side to side, then front to back. If countertop is not level, range will not be level. Range must be level for satisfactory baking conditions.

INSTALLATION INSTRUCTIONS

Unpack Range

⚠ WARNING

Excessive Weight Hazard

Use two or more people to move and install range.

Failure to do so can result in back or other injury.

1. Remove shipping materials, tape and film from the range. Keep cardboard bottom under range.
2. Remove oven racks and parts package from inside oven.
3. To remove cardboard bottom, place range on its back, take 4 cardboard corners from the carton. Stack one cardboard corner on top of another. Repeat with the other 2 corners. Place them lengthwise on the floor behind the range to support the range when it is laid on its back.
4. Using 2 or more people, firmly grasp the range and gently lay it on its back on the cardboard corners.
5. Pull cardboard bottom firmly to remove.
6. Use an adjustable wrench to loosen the leveling legs.
7. Place cardboard or hardboard in front of range. Using 2 or more people, stand range back up onto cardboard or hardboard.

Adjust Leveling Legs

1. If range height adjustment is necessary, use a wrench or pliers to loosen the 4 leveling legs.
This may be done with the range on its back or with the range supported on 2 legs after the range has been placed back to a standing position.

NOTE: To place range back up into a standing position, put a sheet of cardboard or hardboard in front of range. Using 2 or more people, stand range back up onto the cardboard or hardboard.

⚠ WARNING



Tip Over Hazard

A child or adult can tip the range and be killed.

Install anti-tip bracket to floor or wall per installation instructions.

Slide range back so rear range foot is engaged in the slot of the anti-tip bracket.

Re-engage anti-tip bracket if range is moved.

Do not operate range without anti-tip bracket installed and engaged.

Failure to follow these instructions can result in death or serious burns to children and adults.

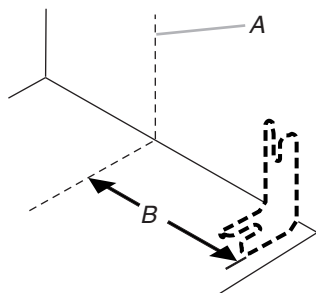
2. Adjust the leveling legs to the correct height. Leveling legs can be loosened to add up to a maximum of 1" (2.5 cm). A minimum of ⅜" (5 mm) is needed to engage the anti-tip bracket.

NOTE: If height adjustment is made when range is standing, tilt the range back to adjust the front legs, then tilt forward to adjust the rear legs.

- When the range is at the correct height, check that there is adequate clearance under the range for the anti-tip bracket. Before sliding range into its final location, check that the anti-tip bracket will slide under the range and onto the rear leveling leg prior to anti-tip bracket installation.

Install Anti-Tip Bracket

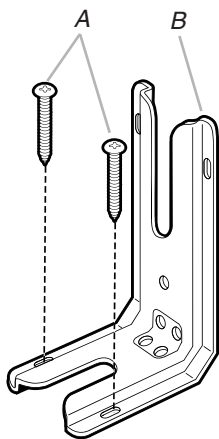
- Remove the anti-tip bracket that is taped to the package containing literature.
- Determine which mounting method to use: floor or wall. If you have a stone or masonry floor, you can use the wall mounting method.
- Determine and mark centerline of the cutout space. The mounting bracket can be installed on either the left side or right side of the cutout. Position mounting bracket in cutout so that right (or left) edge of the bracket is 1 1/4" (36.2 cm) from centerline, as shown.



A. Centerline
B. 1 1/4" (36.2 cm)

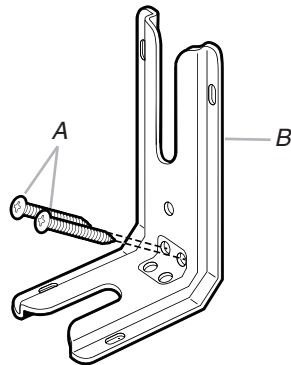
- Drill two 1/8" (3 mm) holes that correspond to the bracket holes of the determined mounting method. See the following illustrations.

Floor Mounting



A. #12 x 1 5/8" screws
B. Anti-tip bracket

Wall Mounting



A. #12 x 1 5/8" screws
B. Anti-tip bracket

- Using the Phillips screwdriver, mount anti-tip bracket to the wall or floor with the two #12 x 1 5/8" screws provided.

Electrical Connection - U.S.A. Only

Power Supply Cord (optional)

This range is shipped with a specially designed 4-wire power supply cord. This cord should be used on all new branch circuits, mobile homes and when local codes prohibit grounding through the neutral. For a 3-wire power supply cord replacement, service kit Part Number 74011285 must be used.

⚠ WARNING



Electrical Shock Hazard

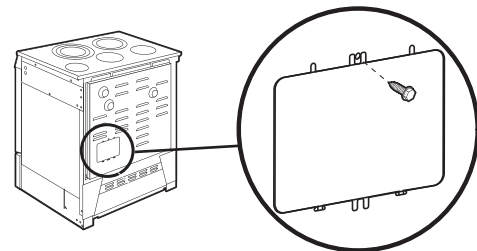
Disconnect power before servicing.

Use a new 40 amp power supply cord.

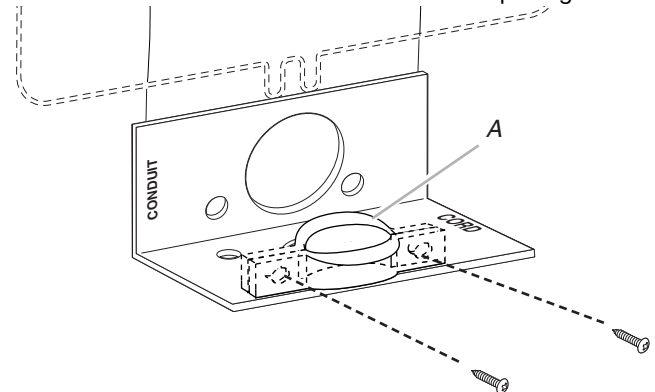
Plug into a grounded outlet.

Failure to follow these instructions can result in death, fire, or electrical shock.

- Disconnect power.
- Use Phillips screwdriver to remove the terminal block cover screw located on the back of the range. Pull cover down and toward you to remove cover.



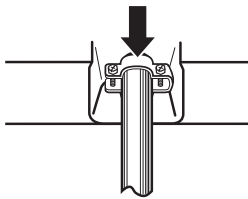
- Add strain relief.
 - Assemble a UL listed strain relief in the opening.



A. UL listed strain relief

- Feed the power supply cord through the opening in the cord/conduit plate on bottom of range. Allow enough slack to easily attach the wiring to the terminal block.


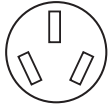
- Tighten strain relief screw against the power supply cord.



- Feed the flexible conduit through the strain relief, allowing enough slack to easily attach wiring to the terminal block.
- Tighten strain relief screw against the flexible conduit.



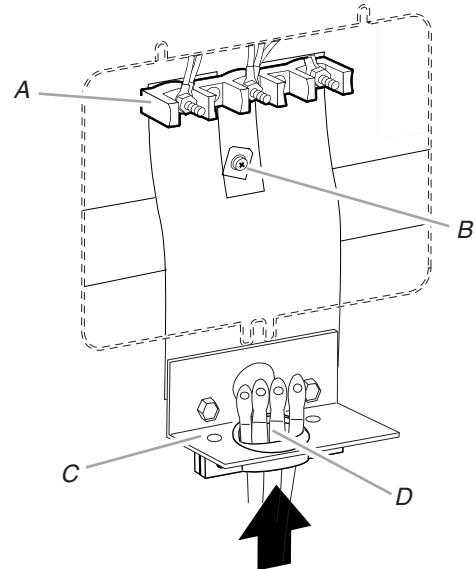
Electrical Connection Options

If your home has:	And you will be connecting to:	Go to Section:
4-wire receptacle (NEMA type 14-50R) 	A UL listed, 250-volt minimum, 40-amp, range power supply cord	4-wire connection: Power supply cord
3-wire receptacle (NEMA type 10-50R) 	A UL listed, 250-volt minimum, 40-amp, range power supply cord	3-wire connection: Power supply cord

4-wire connection: Power Supply Cord

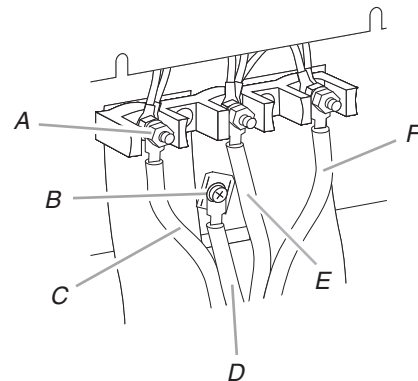
Use this method for:

- New branch-circuit installations (1996 NEC)
 - Mobile homes
 - Recreational vehicles
 - In an area where local codes prohibit grounding through the neutral
1. Feed the power supply cord through the opening in the cord/conduit plate on bottom of range. Allow enough slack to easily attach the wiring to the terminal block.



A. Terminal block
 B. Ground-link screw
 C. Cord/conduit plate
 D. Power supply cord wires

2. Use Phillips screwdriver to connect the green ground wire from the power supply cord to the range with the ground-link screw. The ground wire must be attached first.
3. Use $\frac{3}{8}$ " nut driver to connect the neutral (white) wire to the center terminal block post with one of the 10-32 hex nuts.



A. 10-32 hex nut
 B. Ground-link screw
 C. Line 1 (black)
 D. Green ground wire
 E. Neutral (center) wire
 F. Line 2 (red)

4. Connect line 1 (black) and line 2 (red) wires to the outer terminal block posts with 10-32 hex nuts.
5. Securely tighten hex nuts.

NOTE: For power supply cord replacement, only use a power cord rated at 250 volts minimum, 40 amps or 50 amps that is marked for use with nominal $1\frac{3}{8}$ " (3.5 cm) diameter connection opening, with ring terminals and marked for use with ranges. For a 3-wire power supply cord replacement, service kit Part Number 74011285 must be used.

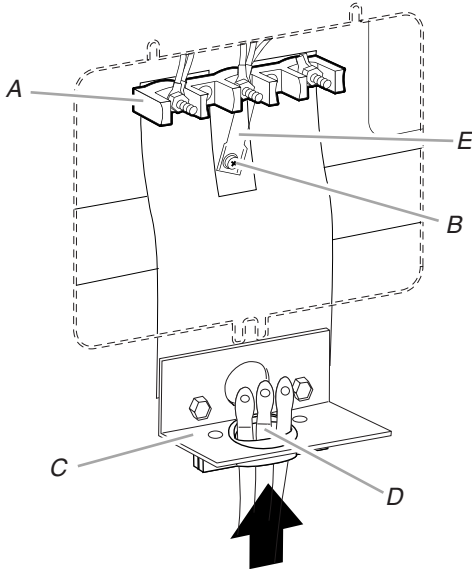
6. Replace terminal block access cover.

3-wire connection: Power Supply Cord (optional)

NOTE: For power supply cord replacement, only use a power cord rated at 250 volts minimum, 40 amps or 50 amps that is marked for use with nominal 1 $\frac{3}{8}$ " (3.5 cm) diameter connection opening, with ring terminals and marked for use with ranges.

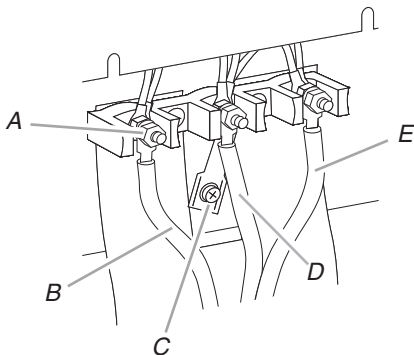
Use this method only if local codes permit connecting chassis ground conductor to neutral wire of power supply cord.

1. Feed the power supply cord through the opening in the cord/conduit plate on bottom of range. Allow enough slack to easily attach the wiring to the terminal block.



A. Terminal block
B. Ground-link screw
C. Cord/conduit plate
D. Power supply cord wires
E. Metal ground strap

2. Use $\frac{3}{8}$ " nut driver to connect the neutral (white) wire and copper ground strap provided to the center terminal block post with one of the 10-32 hex nuts. The opposite end of the copper ground strap should be secured to the oven back with the green ground-link screw.



A. 10-32 hex nut
B. Line 1 (black)
C. Ground-link screw
D. Neutral (white) wire
E. Line 2 (red)

3. Connect line 1 (black) and line 2 (red) wires to the outer terminal block posts with 10-32 hex nuts.
4. Securely tighten hex nuts.
5. Replace terminal block access cover.

Make Gas Connection

⚠ WARNING



Explosion Hazard

Use a new CSA International approved gas supply line.

Install a shut-off valve.

Securely tighten all gas connections.

If connected to LP, have a qualified person make sure gas pressure does not exceed 14" (36 cm) water column.

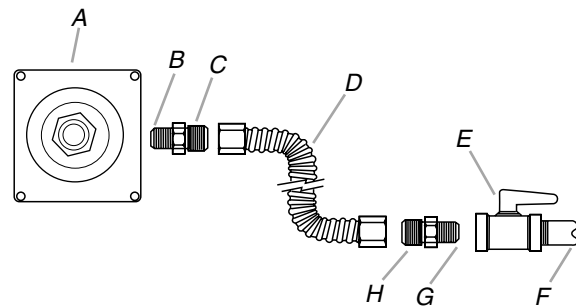
Examples of a qualified person include:

licensed heating personnel,
authorized gas company personnel, and
authorized service personnel.

Failure to do so can result in death, explosion, or fire.

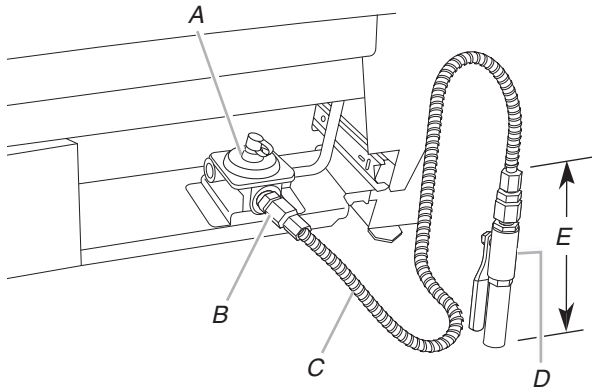
Typical flexible connection

1. Apply pipe-joint compound made for use with LP gas to the smaller thread ends of the flexible connector adapters (see B and G in the following illustration).
2. Attach one adapter to the gas pressure regulator and the other adapter to the gas shutoff valve. Tighten both adapters.
3. Use a $\frac{15}{16}$ " combination wrench and an adjustable wrench to attach the flexible connector to the adapters. Check that connector is not kinked.



A. Gas pressure regulator
B. Use pipe-joint compound.
C. Adapter (must have $\frac{1}{2}$ " male pipe thread)
D. Flexible connector
E. Manual gas shutoff valve
F. $\frac{1}{2}$ " or $\frac{3}{4}$ " gas pipe
G. Use pipe-joint compound.
H. Adapter

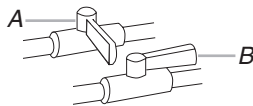
- Gas supply pipe must not be more than 10" (25.4 cm) above the floor.



A. Gas pressure regulator
 B. Adapter
 C. Flexible connector
 D. Manual shutoff valve
 E. 10" (25.4 cm) max. straight pipe

Complete Connection

- Open the manual shutoff valve in the gas supply line. The valve is open when the handle is parallel to the gas pipe.



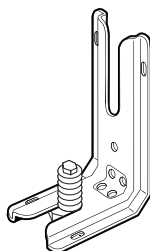
A. Closed valve
 B. Open valve

- Test all connections by brushing on an approved noncorrosive leak-detection solution. If bubbles appear, a leak is indicated. Correct any leak found.
- Remove cooktop burner caps and grates from package containing parts. Align recess in burner caps with pins in burner base. Burner caps should be level when properly positioned. If burner caps are not properly positioned, surface burners will not light. Place burner grates over burners and caps.
- Plug into appropriate outlet. See "Electrical Requirements" section.
- Turn power on.

Verify Anti-Tip Bracket Is Installed and Engaged

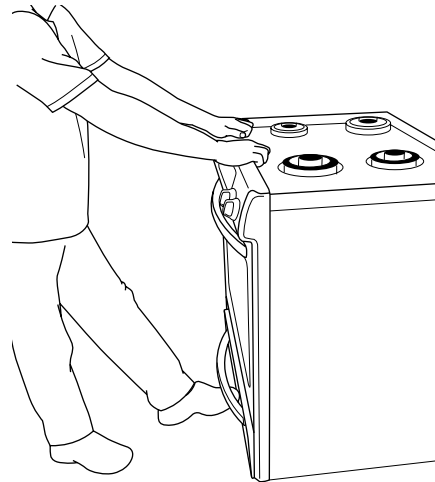
On models with a storage drawer:

- Remove the storage drawer.
- Use a flashlight to look underneath the bottom of the range.
- Visually check that the rear range foot is inserted into the slot of the anti-tip bracket.



On models with a warming drawer:

- Place the outside of your foot against the bottom front of the warming drawer to keep the range from moving, and grasp the control panel with two hands as shown.



- Slowly attempt to tilt the range forward. If you encounter immediate resistance, the range foot is engaged in the anti-tip bracket.
- If the rear of the range lifts more than 1/2" (1.3 cm) off the floor without resistance, stop tilting the range and lower it gently back to the floor. The range foot is not engaged in the anti-tip bracket.

IMPORTANT: If there is a snapping or popping sound when lifting the range, the range may not be fully engaged in the bracket. Check to see if there are obstructions keeping the range from sliding to the wall or keeping the range foot from sliding into the bracket. Verify that the bracket is held securely in place by the mounting screws.

- Slide the range forward, and verify that the anti-tip bracket is securely attached to the floor or wall.
- Slide range back so the rear range foot is inserted into the slot of the anti-tip bracket.

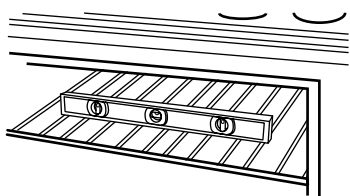
IMPORTANT: If the back of the range is more than 2" (5.1 cm) from the mounting wall, the rear range foot may not engage the bracket. Slide the range forward and determine if there is an obstruction between the range and the mounting wall. If you need assistance or service, refer to the "Assistance or Service" section of the Use and Care Guide, or the cover or "Warranty" section of the User Instructions, for contact information.

- Repeat steps 1 and 2 to ensure that the range foot is engaged in the anti-tip bracket.

If the rear of the range lifts more than 1/2" (1.3 cm) off the floor without resistance, the anti-tip bracket may not be installed correctly. Do not operate the range without anti-tip bracket installed and engaged. Please reference the "Assistance or Service" section of the Use and Care Guide, or the cover or "Warranty" section of the User Instructions, to contact service.

Level Range

1. Place rack in oven.
2. Place level on rack and check levelness of range, first side to side; then front to back.



3. If range is not level, pull range forward until rear leveling leg is removed from the anti-tip bracket.
4. Use wrench to adjust leveling legs up or down until range is level. Push range back into position.
5. Check that rear leveling leg is engaged in anti-tip bracket.

NOTE: Range must be level for satisfactory baking performance.

Electronic Ignition System

Initial lighting and gas flame adjustments

Cooktop and oven burners use pilotless igniters in place of standing pilots. When the cooktop control knob is turned to the "LITE" position, the system creates a spark to light the burner. This sparking continues, as long as the control knob is turned to "LITE."

When the oven control is turned to the desired setting, a glow bar igniter heats and ignites the gas.

Check Operation of Cooktop Burners

Standard Surface Burners

Push in and turn each control knob to the "LITE" position.

The flame should light within 4 seconds. The first time a burner is lit it may take longer than 4 seconds to light because of air in the gas line.

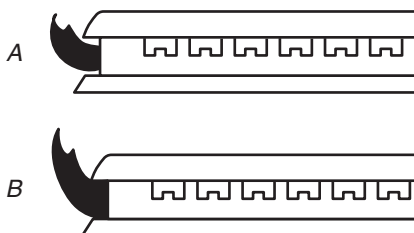
If burners do not light properly:

- Turn cooktop control knob to the "OFF" position.
- Check that the range is plugged in and the circuit breaker has not tripped or the household fuse has not blown.
- Check that the gas shutoff valves are set to the "open" position.
- Check that burner caps are properly positioned on burner bases.

Repeat start-up. If a burner does not light at this point, turn the control knobs to "Off" and contact your dealer or authorized service company for assistance.

Adjust Flame Height

Adjust the height of top burner flames. The cooktop "low" burner flame should be a steady blue flame approximately $\frac{1}{4}$ " (0.64 cm) high.



A. Low flame
B. High flame

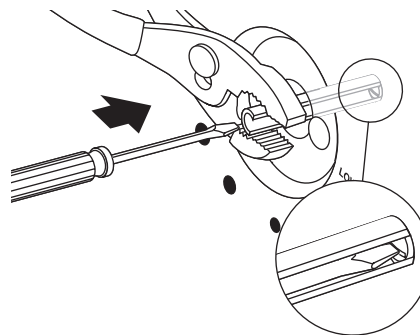
To adjust standard burners:

The flame can be adjusted using the adjustment screw in the center of the valve stem. The valve stem is located directly underneath the control knob.

If the "low" flame needs to be adjusted:

1. Light 1 burner and turn to lowest setting.
2. Remove the control knob.

Hold the knob stem in the low position using a pair of pliers. Use an $\frac{1}{8}$ " (3.0 mm) flat-blade screwdriver to turn the screw located in the center of the control knob stem until the flame is the proper size.

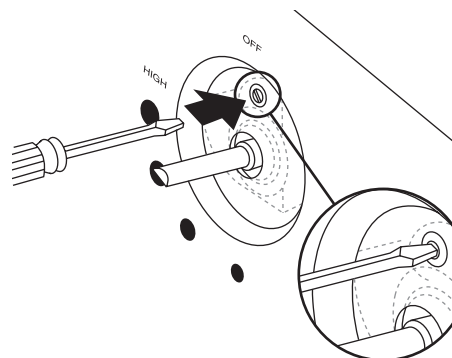


3. Replace the control knob.
4. Test the flame by turning the control from "LO" to "HI," checking the flame at each setting.
5. Repeat the above steps for each burner.

To adjust double burner:

1. Light burner and turn to lowest setting where both inner and outer burners are lit.
2. Remove the control knob.

Insert an $\frac{1}{8}$ " (3.0 mm) flat-blade screwdriver into adjustment locations shown in the following illustration and engage the slotted screw. Turn the screw until the flame is the proper size.



3. Replace the control knob.
4. Test the flame by turning the control from "LO" to "HI," checking the flame at each setting.

Complete Installation

1. Check that all parts are now installed. If there is an extra part, go back through the steps to see which step was skipped.
2. Check that you have all of your tools.
3. Dispose of/recycle all packaging materials.
4. Check that range level. See "Level Range."
5. Use a mild solution of liquid household cleaner and warm water to remove waxy residue caused by shipping material. Dry thoroughly with a soft cloth. For more information, see the "Range Care" section of the Use and Care Guide.
6. Read "Range Use" in the Use and Care Guide.
7. Turn on surface burners and oven. See the Use and Care Guide for specific instruction on range operation.

If range does not operate, check the following:

- Household fuse is intact and tight, or circuit breaker has not tripped.
 - Range is plugged into a grounded outlet.
 - Electrical supply is connected.
 - See “Troubleshooting” in the Use and Care Guide.
8. When the range has been on for 5 minutes, check for heat. If the range is cold, turn off the range and check that the gas supply line shutoff valve is open.

- If the gas supply line shutoff valve is closed, open it, then repeat the 5-minute test as outlined above.
- If the gas supply line shutoff valve is open, close it, and contact a qualified technician.

If you need Assistance or Service:

Please reference the “Assistance or Service” section of the Use and Care Guide or contact the dealer from whom you purchased your range.

GAS CONVERSIONS

Gas conversions from Natural gas to LP gas or from LP gas to Natural gas must be done by a qualified installer.

⚠ WARNING



Explosion Hazard

Use a new CSA International approved gas supply line.

Install a shut-off valve.

Securely tighten all gas connections.

If connected to LP, have a qualified person make sure gas pressure does not exceed 14" (36 cm) water column.

Examples of a qualified person include:

licensed heating personnel,
authorized gas company personnel, and
authorized service personnel.

Failure to do so can result in death, explosion, or fire.

LP Gas Conversion

⚠ WARNING



Tip Over Hazard

A child or adult can tip the range and be killed.

Install anti-tip bracket to floor or wall per installation instructions.

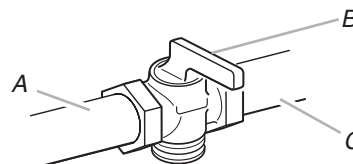
Slide range back so rear range foot is engaged in the slot of the anti-tip bracket.

Re-engage anti-tip bracket if range is moved.

Do not operate range without anti-tip bracket installed and engaged.

Failure to follow these instructions can result in death or serious burns to children and adults.

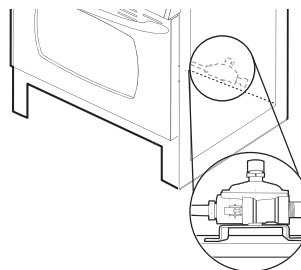
1. Turn manual shutoff valve to the closed position.
2. Unplug range or disconnect power.



- A. To range
- B. Shutoff valve (closed position)
- C. Gas supply line

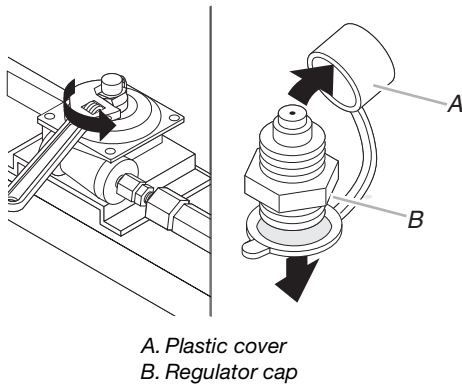
To Convert Gas Pressure Regulator

1. Locate gas pressure regulator at the back of the range.

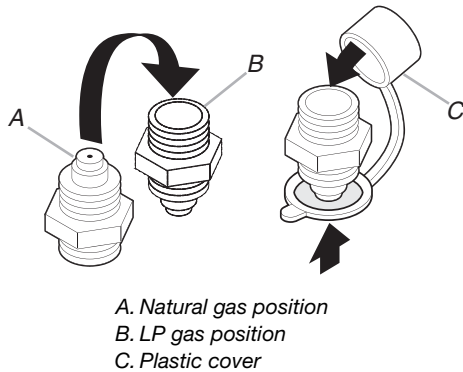


IMPORTANT: Do not remove the gas pressure regulator.

2. Unscrew the regulator cap and remove the plastic cover.



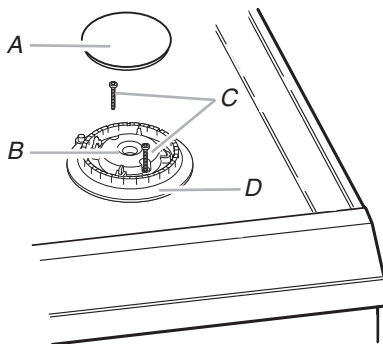
3. Flip the regulator cap over and replace the plastic cover.



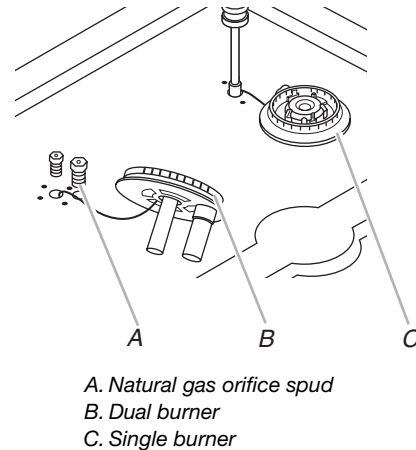
4. Screw the regulator cap securely back into place. Do not overtighten.

To Convert Surface Burners

1. If installed, remove the burner grates.
2. Remove the burner caps.
3. Using a Phillips screwdriver, remove the burner base.



4. Apply masking tape to the end of a 3/32" (7 mm) nut driver to help hold the Natural gas orifice spud in the nut driver while changing it. Press nut driver down onto the Natural gas orifice spud and remove by turning it counterclockwise and lifting out. Set Natural gas orifice spud aside.



Use the following chart for correct LP gas orifice spud for each burner. Refer to the gas information plate on the lower left side of the front frame for proper sizing of LP gas orifice spuds for each burner location.

LP Gas Orifice Spud Chart for Models JDS8850 and JDS8860

Location	Burner Rating	Color	Number
Right Front	14,000 BTU	Red	114L
Right Rear	4,000 BTU	Blue	64L
Left Front	13,000 BTU	Center: White Outer: Orange	Center: 55L Outer: 97L
Left Rear	9,100 BTU	Clear	91L

5. Replace the Natural gas orifice spud with the correct LP gas orifice spud. See the "LP Gas Orifice Spud Chart." On dual burners (on some models), replace the center and outer spuds.
6. Replace burner base and hand tighten the screws.
7. Replace burner cap.
8. Repeat steps 1 through 7 for the remaining burners.
9. Place Natural gas orifice spuds in plastic parts bag for future use and keep with package containing literature.
10. Replace burner grates.
11. Complete installation. See "Make Gas Connection" and "Electronic Ignition System" sections.

Checking for proper cooktop burner flame is very important. The small inner cone should have a very distinct blue flame 1/4" to 1/2" long. The outer cone is not as distinct as the inner cone. LP gas flames have a slightly yellow tip.

IMPORTANT: You may have to adjust the "LO" setting for each cooktop burner.

Natural Gas Conversion

⚠️ WARNING



Tip Over Hazard

A child or adult can tip the range and be killed.

Install anti-tip bracket to floor or wall per installation instructions.

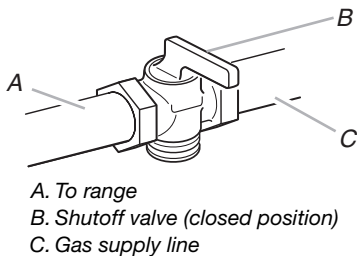
Slide range back so rear range foot is engaged in the slot of the anti-tip bracket.

Re-engage anti-tip bracket if range is moved.

Do not operate range without anti-tip bracket installed and engaged.

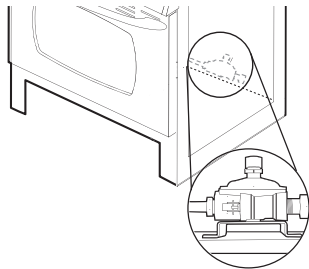
Failure to follow these instructions can result in death or serious burns to children and adults.

1. Turn manual shutoff valve to the closed position.
2. Unplug range or disconnect power.



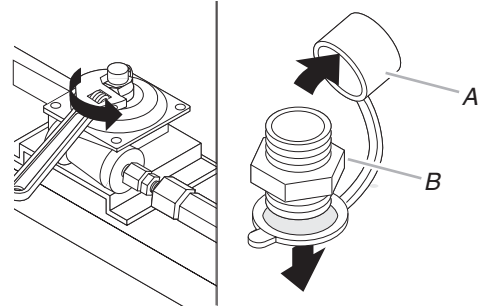
To Convert Gas Pressure Regulator

3. Locate gas pressure regulator at the back of the range.



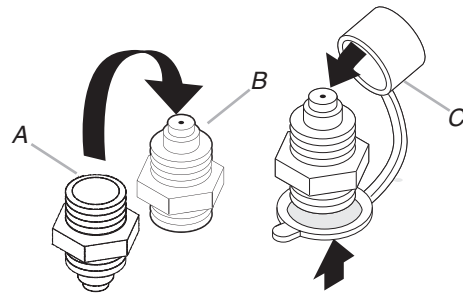
IMPORTANT: Do not remove the gas pressure regulator.

4. Unscrew the regulator cap and remove the plastic cover.



A. Plastic cover
B. Regulator cap

5. Flip the regulator cap over and replace the plastic cover.

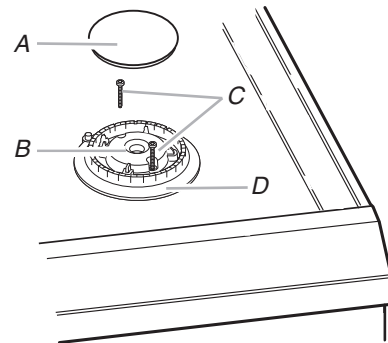


A. LP gas position
B. Natural gas position
C. Plastic cover

6. Screw the regulator cap securely back into place. Do not overtighten.

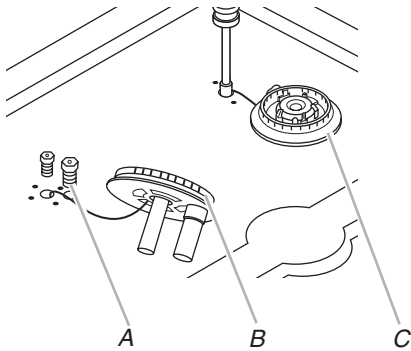
To Convert Surface Burners

1. If they are installed, remove the burner grates.
2. Remove the burner caps.
3. On models with a dual burner, remove the LP choke from the dual burner.
4. Using a Phillips screwdriver, remove the burner base.



A. Burner cap
B. Gas tube opening
C. Burner base screws
D. Burner base

5. Apply masking tape to the end of a $\frac{9}{32}$ " (7 mm) nut driver to help hold the LP gas orifice spud in the nut driver while changing it. Press nut driver down onto the LP gas orifice spud and remove by turning it counterclockwise and lifting out. Set the LP gas orifice spud aside.



A. Natural gas orifice spud
 B. Dual burner
 C. Single burner

Use the following chart for correct Natural gas orifice spud for each burner. Refer to the gas information plate on the lower left side of the front frame for proper sizing of Natural orifice spuds for each burner location.

Natural Gas Orifice Spud Chart for Models JDS8850 and JDS8860

Location	Burner Rating	Color	Number
Right Front	16,000 BTU	Clear	190N
Right Rear	5,000 BTU	Green	107N
Left Front	15,000 BTU	Center: Clear Outer: Clear	Center: 80N Outer: 165N
Left Rear	9,200 BTU	Clear	142N

6. Replace the LP gas orifice spud with correct Natural gas orifice spud. See the "Natural Gas Orifice Spud Chart."
7. Replace burner base and hand tighten the screws.
8. Replace burner cap.
9. Repeat steps 1 through 7 for the remaining burners.
10. Place LP gas orifice spuds (and LP choke on models with a dual burner) in plastic parts bag for future use and keep with package containing literature.
11. Replace burner grates.
12. Complete installation. See "Make Gas Connection" and "Electronic Ignition System" sections.

Checking for proper cooktop burner flame is very important. The small inner cone should have a very distinct blue flame $\frac{1}{4}$ " to $\frac{1}{2}$ " long. The outer cone is not as distinct as the inner cone. Natural gas flames do not have yellow tips.

IMPORTANT: You may have to adjust the "LO" setting for each cooktop burner.

SÉCURITÉ DE LA CUISINIÈRE

Votre sécurité et celle des autres est très importante.

Nous donnons de nombreux messages de sécurité importants dans ce manuel et sur votre appareil ménager. Assurez-vous de toujours lire tous les messages de sécurité et de vous y conformer.



Voici le symbole d'alerte de sécurité.

Ce symbole d'alerte de sécurité vous signale les dangers potentiels de décès et de blessures graves à vous et à d'autres.

Tous les messages de sécurité suivront le symbole d'alerte de sécurité et le mot "DANGER" ou "AVERTISSEMENT". Ces mots signifient :

⚠ DANGER

Risque possible de décès ou de blessure grave si vous ne suivez pas immédiatement les instructions.

⚠ AVERTISSEMENT

Risque possible de décès ou de blessure grave si vous ne suivez pas les instructions.

Tous les messages de sécurité vous diront quel est le danger potentiel et vous disent comment réduire le risque de blessure et ce qui peut se produire en cas de non-respect des instructions.

AVERTISSEMENT : Si les renseignements dans ce manuel ne sont pas exactement observés, un incendie ou une explosion peut survenir, causant des dommages au produit, des blessures ou un décès.

- Ne pas entreposer ni utiliser de l'essence ou d'autres vapeurs ou liquides inflammables à proximité de cet appareil ou de tout autre appareil électroménager.
- **QUE FAIRE DANS LE CAS D'UNE ODEUR DE GAZ :**
 - Ne pas tenter d'allumer un appareil.
 - Ne pas toucher à un commutateur électrique.
 - Ne pas utiliser le téléphone se trouvant sur les lieux.
 - Appeler immédiatement le fournisseur de gaz à partir du téléphone d'un voisin. Suivre ses instructions.
 - À défaut de joindre votre fournisseur de gaz, appeler les pompiers.
- L'installation et l'entretien doivent être effectués par un installateur qualifié, une agence de service ou le fournisseur de gaz.

AVERTISSEMENT : L'odorat ne permet pas toujours la détection d'une fuite de gaz.

Les distributeurs de gaz recommandent l'emploi d'un détecteur de gaz (homologation UL ou CSA).

Pour d'autre information, contacter le fournisseur de gaz local.

En cas de détection d'une fuite de gaz, exécuter les instructions "Que faire dans le cas d'une odeur de gaz".

Dans l'État du Massachusetts, les instructions d'installation suivantes sont applicables :

- Les travaux d'installation et réparation doivent être exécutés par un plombier ou tuyauteur qualifié ou licencié, ou par le personnel qualifié d'une entreprise licenciée par l'État du Massachusetts.
- Si une vanne à boisseau sphérique est utilisée, elle doit comporter une manette "T".
- Si un conduit de raccordement flexible est utilisé, sa longueur ne doit pas dépasser 3 pi.

⚠ AVERTISSEMENT

Risque de basculement

Un enfant ou une personne adulte peut faire basculer la cuisinière, ce qui peut causer un décès.

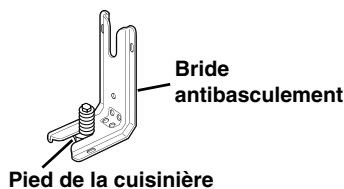
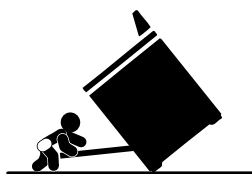
Fixer la bride antibasculement au plancher ou au mur, conformément aux instructions d'installation.

Faire glisser de nouveau la cuisinière de façon à ce que le pied arrière de la cuisinière se trouve dans la fente de la bride antibasculement.

Réengager la bride antibasculement si la cuisinière a été déplacée.

Ne pas faire fonctionner la cuisinière si la bride antibasculement n'est pas installée et engagée.

Le non-respect de ces instructions peut causer un décès ou des brûlures graves aux enfants et aux adultes.



Pour vérifier que la bride antibasculement est bien installée et engagée :

- Faire glisser la cuisinière vers l'avant.
- Vérifier que la bride antibasculement est bien fixée au plancher ou au mur.
- Faire de nouveau glisser la cuisinière vers l'arrière de sorte que le pied de la cuisinière se trouve sous la bride antibasculement.
- Voir les instructions d'installation pour plus de détails.

EXIGENCES D'INSTALLATION

Outillage et pièces

Rassembler les outils et composants nécessaires avant d'entreprendre l'installation. Lire et observer les instructions fournies avec chacun des outils de la liste ci-dessous.

Outils nécessaires

- Mètre-ruban
- Tournevis Phillips
- Tournevis à lame plate
- Tournevis à lame plate de 1/8"
- Niveau
- Perceuse manuelle ou électrique
- Clé ou pince
- Clé à tuyauterie
- Clé mixte de 15/16"
- Foret de 1/8" (3,2 mm) (pour planchers en bois)
- Marqueur ou crayon
- Composé d'étanchéité des raccords filetés – résistant au gaz propane
- Foret à maçonnerie à pointe carburée de 3/16" (4,8 mm) (pour planchers en béton/céramique)
- Solution non-corrosive de détection des fuites

Pour conversions pour gaz propane/naturel

- Clé mixte de 1/2"
- Tourne-écrou de 1/4" (6 mm)
- Tourne-écrou de 9/32" (7 mm)
- Ruban adhésif de masquage

Pièces fournies

Vérifier que toutes les pièces sont présentes.

- Ensemble de conversion pour gaz propane/naturel (fixé au support du détendeur à l'arrière de la cuisinière)
- 5 - Chapeaux de brûleur
- 2 - Grilles de brûleur
- 3 - Grilles de four

- 2 - Vis n° 12 x 1 5/8" (pour le montage de la bride antibasculement)
- 1 - Bande métallique de mise à la terre (pour un raccordement à 3 conducteurs)
- Bride antibasculement (fixée au sachet de documentation)

La bride antibasculement doit être bien fixée à la cloison arrière ou au plancher. L'épaisseur du plancher peut nécessiter des vis plus longues pour l'ancrage de la bride dans le sous-plancher. Des vis plus longues sont disponibles auprès de votre quincaillerie locale.

Pièces nécessaires

Vérifier les codes locaux et consulter le fournisseur de gaz. Vérifier l'alimentation en gaz et l'alimentation électrique existantes. Voir les sections "Spécifications électriques" et "Spécifications de l'alimentation en gaz".

Exigences d'emplacement

IMPORTANT : Observer les dispositions de tous les codes et règlements en vigueur. Ne pas obstruer le flux de combustion et de ventilation.

- C'est à l'installateur qu'incombe la responsabilité de respecter les distances de séparation exigées pour l'installation, spécifiées sur la plaque signalétique de l'appareil. La plaque signalétique est située sur le côté droit du châssis du four, derrière le panneau du tiroir de remisage.
- La cuisinière doit être installée à un endroit pratique dans la cuisine.
- Dans le cas d'une cuisinière encastrée, l'enceinte doit recouvrir complètement les côtés et l'arrière de la cuisinière.

- Afin de supprimer le risque de brûlures ou d'incendie lié au fait de se pencher au-dessus des unités de surface chauffées, le rangement en placard au-dessus des unités de surface doit être évité. Si le rangement en placard est envisagé, le risque peut être réduit par l'installation d'une hotte de cuisinière ou un ensemble hotte/micro-ondes opérant horizontalement sur un minimum de 5" (12,7 cm) au-delà du bas des placards.
- Toutes les ouvertures dans le mur ou le plancher de l'emplacement d'installation de la cuisinière doivent être scellées.
- Respecter les dimensions indiquées pour les ouvertures à découper dans les placards. Ces dimensions constituent les valeurs minimales des dégagements de séparation.
- La bride antibasculement de plancher doit être installée. Pour l'installation de la bride antibasculement expédiée avec la cuisinière, voir la section "Installation de la bride antibasculement".
- Une source d'électricité avec liaison à la terre est nécessaire. Voir la section "Spécifications électriques".
- Une source de gaz adéquate doit être disponible. Voir la section "Spécifications de l'alimentation en gaz".
- Contacter un installateur de revêtement de sol qualifié, qui pourra déterminer si le revêtement de sol peut résister à une température d'au moins 200°F (93°C).
- Dans le cas de l'installation de la cuisinière par dessus un tapis, placer sous la cuisinière une plaque d'appui isolée, ou une plaque de contreplaqué de 1/4" (0,64 cm).

IMPORTANT : Afin d'éviter d'endommager les placards, consulter le constructeur de la maison ou le vendeur des placards pour déterminer si les matériaux utilisés peuvent subir un changement de couleur, une déstratification ou d'autres dommages. Ce four a été conçu conformément aux exigences des normes UL et CSA International et respecte les températures maximales permises de 194°F (90°C) pour les placards en bois.

Résidence mobile – Spécifications additionnelles à respecter lors de l'installation

L'installation de cette cuisinière doit être conforme aux dispositions de la norme Manufactured Home Construction and Safety Standard, Title 24 CFR, Part 3280 (anciennement Federal Standard for Mobile Home Construction and Safety, Title 24, HUD Part 280). Lorsque cette norme n'est pas applicable, l'installation doit satisfaire aux critères de la norme Standard for Manufactured Home Installations, ANSI A225.1/NFPA 501A ou aux dispositions des codes locaux.

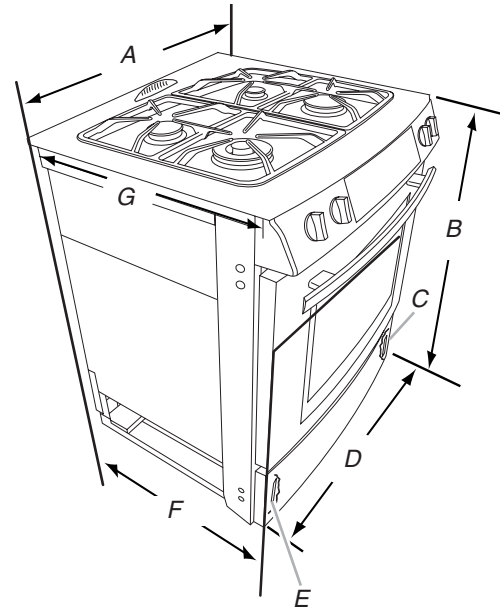
Au Canada, l'installation de cette cuisinière doit satisfaire aux stipulations de la version la plus récente de la norme CAN/CSA-A240 ou des codes locaux en vigueur.

Critères à respecter pour une installation en résidence mobile :

- Dans le cas de l'installation de cette cuisinière dans une résidence mobile, la cuisinière doit être fixée au plancher durant tout déplacement du véhicule. Toute méthode de fixation de la cuisinière est adéquate dans la mesure où elle satisfait aux critères des normes mentionnées ci-dessus.

Dimensions du produit

Modèle JDS88550



A. 30³/₄" (78,1 cm)

B. Hauteur jusqu'à la partie inférieure de la table de cuisson avec les pieds de nivellement complètement relevés : 35³/₄" (90,8 cm)*

C. Plaque signalétique (située sur le côté droit du châssis du four, derrière le tiroir de remisage)

D. 29⁷/₈" (75,9 cm)

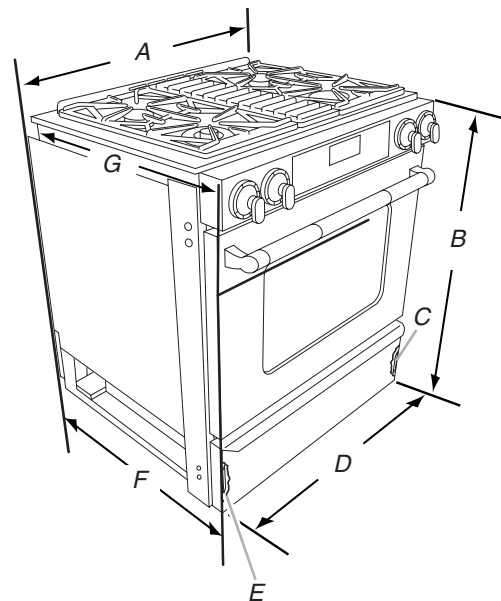
E. Plaque d'information sur le gaz (située sur le côté gauche du châssis du four, derrière le tiroir de remisage)

F. 29" (73,4 cm) entre la poignée et l'arrière de la cuisinière**

G. 23" (58,4 cm) entre le coin du plan de travail et l'arrière de la table de cuisson

Modèle JDS8860

REMARQUE : La table de cuisson illustrée peut différer de votre modèle.



A. 30⁷/₈" (78,4 cm)

B. Hauteur jusqu'à la partie inférieure de la table de cuisson avec les pieds de nivellement complètement relevés : 35³/₄" (90,8 cm)*

C. Plaque signalétique (située sur le côté droit du châssis du four, derrière le tiroir de remisage)

D. 29⁷/₈" (75,9 cm)

E. Plaque d'informations sur le gaz (située sur le côté gauche du châssis du four, derrière le tiroir de remisage)

F. 29" (73,7 cm) de la poignée à l'arrière de la cuisinière**

G. Du coin du plan de travail à l'arrière de la table de cuisson : 27" (68,6 cm)

*La cuisinière peut être surélevée d'environ 1" (2,5 cm) en ajustant les pieds de nivellement.

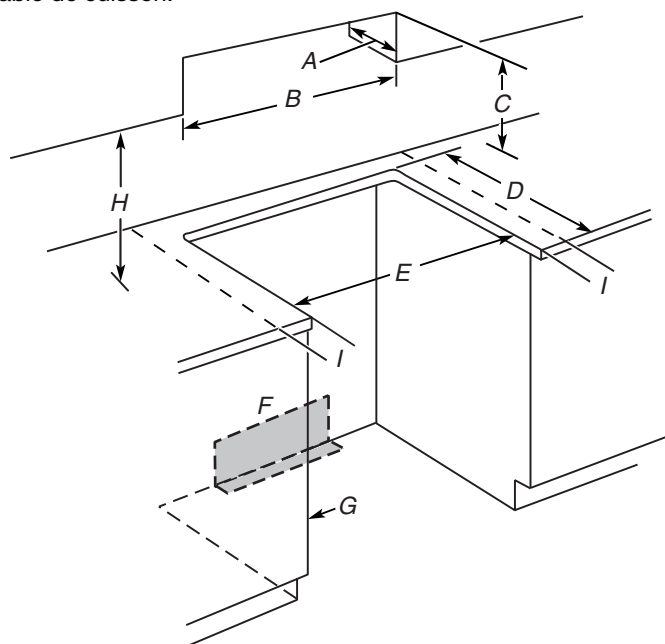
**Dans le cas d'une installation dans un placard inférieur de 24" (61,0 cm) avec plan de travail de 25" (63,5 cm), l'avant de la porte du four sera en saillie de 5" (12,7 cm) au-delà du placard inférieur de 24" (61 cm).

Dimensions du placard

Les dimensions d'ouverture de placard indiquées sont valides pour une installation avec une profondeur de plan de travail de 25" (64,0 cm), une profondeur de placard inférieur de 24" (61,0 cm) et une hauteur de plan de travail de 36" (91,4 cm).

IMPORTANT : En cas d'installation d'une hotte ou d'un ensemble hotte/micro-ondes au-dessus de la cuisinière, suivre les instructions fournies avec la hotte ou l'ensemble de hotte/four à micro-ondes concernant les dimensions de dégagement à respecter au-dessus de la surface de la table de cuisson.

La cuisinière peut être installée sans aucun dégagement entre une construction combustible à l'arrière et sur les côtés, sous la table de cuisson.



- A. Profondeur des placards supérieurs : 13" (33,0 cm)
- B. Largeur de l'ouverture 30" (76,2 cm) min.
- C. Pour la distance libre minimale vers la partie supérieure de la table de cuisson, voir la REMARQUE.
- D. Profondeur de l'ouverture 23¼" (59,1 cm)
- E. Largeur de l'ouverture 30" (76,2 cm) min.
- F. Alimentation électrique et alimentation en gaz – séparation de 5½" (14 cm) min. par rapport au placard et 10" (25,4 cm) max. au-dessus du sol. Aucun élément situé dans la zone ombrée ne doit dépasser de plus de 2¼" (5,7 cm) du mur arrière, sans quoi il sera impossible de remettre la cuisinière bien en place. La prise de courant (avec liaison à la terre) doit être montée en affleurement.
- G. La porte ou charnière du placard ne doit pas dépasser à l'intérieur de l'ouverture.
- H. 18" (45,7 cm)
- I. Dégagement de 3" (7,6 cm) min. entre les deux côtés de la cuisinière et les parois latérales ou d'autres matériaux combustibles.

REMARQUE : Distance de séparation minimale de 24" (61 cm) lorsque le fond d'un placard de bois ou de métal est protégé par une planche ignifugée d'au moins ¼" (0,64 cm) recouverte d'une feuille métallique d'épaisseur égale ou supérieure à : acier calibre 28 MSG, acier inoxydable 0,015" (0,4 mm), aluminium 0,024" (0,6 mm), ou cuivre 0,020" (0,5 mm).

Distance de séparation minimale de 30" (76,2 cm) entre le dessus de la table de cuisson et le fond d'un placard de bois ou de métal non protégé.

Spécifications électriques – Canada uniquement

⚠ AVERTISSEMENT



Risque de choc électrique

Relier la cuisinière à la terre.

Le non-respect de cette instruction peut causer un décès, un incendie ou un choc électrique.

Si on utilise un conducteur distinct de liaison à la terre lorsque les codes le permettent, il est recommandé qu'un électricien qualifié vérifie que la liaison à la terre et le calibre du conducteur sont conformes aux codes locaux.

Vérifier que le raccordement à la source d'électricité et le calibre des conducteurs sont conformes aux prescriptions de la plus récente édition de la norme CSA C22.1, partie 1 – Code canadien de l'électricité, et de tout code ou règlement local en vigueur.

Pour obtenir un exemplaire des normes et codes ci-dessus, contacter :

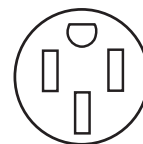
Canadian Standards Association
178 Rexdale Blvd.
Toronto, ON M9W 1R3 CANADA.

- En cas de doute quant à la qualité de la liaison à la terre de la cuisinière, consulter un électricien qualifié.

Valeur nominale de la cuisinière*		Calibre du cordon d'alimentation	Circuit de protection
120/240 volts	120/208 volts	Ampères	Ampères
8,8 à 16,5 kW	7,8 à 12,5 kW	40	40 ou 50
16,6 à 22,5 kW	12,6 à 18,5 kW	50	50

*La charge calculée selon NEC est inférieure au total des charges raccordées, tel que mentionné sur la plaque signalétique de l'appareil.

- On recommande l'emploi d'un fusible ou un disjoncteur temporisé.
- Cette cuisinière est équipée d'un cordon électrique homologué par la CSA International à introduire dans une prise murale standard 14-50R. Veiller à ce que la prise murale se trouve à proximité de l'emplacement définitif de la cuisinière.



- Ne pas utiliser de câble de rallonge.

⚠ **AVERTISSEMENT**



Risque d'explosion

Utiliser une canalisation neuve d'arrivée de gaz approuvée par la CSA International.

Installer un robinet d'arrêt.

Bien serrer chaque organe de connexion de la canalisation de gaz.

En cas de connexion au gaz propane, demander à une personne qualifiée de s'assurer que la pression de gaz ne dépasse pas 36 cm (14 po) de la colonne d'eau.

Par personne qualifiée, on comprend :

**le personnel autorisé de chauffage,
le personnel autorisé d'une compagnie de gaz, et
le personnel d'entretien autorisé.**

Le non-respect de ces instructions peut causer un décès, une explosion ou un incendie.

Respecter les dispositions de tous les codes et règlements en vigueur.

IMPORTANT : L'installation doit satisfaire aux critères de tous les codes et règlements locaux. En l'absence de code local, l'installation doit satisfaire aux prescriptions de la plus récente édition du code national en vigueur : National Fuel Gas Code ANSI Z223.1 ou CAN/CGA B149.

IMPORTANT : Les tests de fuite de la cuisinière doivent être effectués selon les instructions du fabricant.

Type de gaz

Gaz naturel :

La conception de cette cuisinière a été homologuée par CSA International pour l'alimentation au gaz naturel, ou pour l'alimentation au propane après conversion adéquate.

- Cette cuisinière a été configurée à l'usine pour l'alimentation au gaz naturel. Voir la section "Conversions pour changement de gaz". La plaque d'information sur le type de gaz (située derrière le tiroir-réchaud ou le tiroir de remisage, sur le côté du cadre du four ou sur le côté du cadre du four inférieur, selon le modèle) contient des informations sur le type de gaz à utiliser. Si le type de gaz disponible n'est pas mentionné sur la plaque signalétique, consulter le fournisseur local.

Conversion au gaz propane :

L'opération de conversion doit être exécutée par un technicien de réparation qualifié.

Ne pas entreprendre de convertir l'appareil pour une utilisation avec un gaz différent de celui indiqué sur la plaque signalétique sans d'abord consulter le fournisseur de gaz. Voir la section "Conversions pour changement de gaz".

Canalisation de gaz

- Installer une canalisation de gaz rigide de 3/4" (1,9 cm) jusqu'à l'emplacement d'installation de la cuisinière. L'emploi d'une canalisation de plus petit diamètre ou plus longue peut causer une déficience du débit d'alimentation. Pour l'alimentation au propane, le diamètre des canalisations doit être de 1/2" (1,3 cm) ou plus. En général, le fournisseur de gaz propane détermine les matériaux à utiliser et le diamètre approprié.

REMARQUE : On doit utiliser un composé d'étanchéité pour tuyauteries résistant à l'action du gaz propane. Ne pas utiliser de ruban TEFLON®.

Raccord métallique flexible :

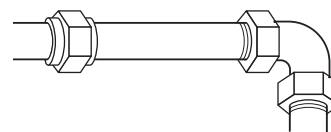
- Si les codes locaux le permettent, on peut utiliser un raccord métallique flexible (homologation CSA), de 4 à 5 pi (122 à 152,4 cm) de long, de diamètre interne de 1/2" (1,3 cm) ou 3/4" (1,9 cm) pour le raccordement de la cuisinière à la canalisation d'alimentation en gaz.



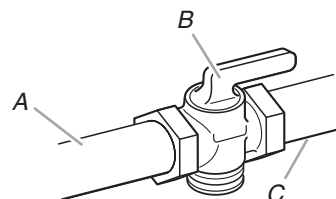
- Un raccord avec filetage mâle de 1/2" (1,3 cm) est nécessaire pour la connexion sur le raccord à filetage femelle à l'entrée du détendeur de l'appareil.
- Ne pas déformer/écraser/endommager le tube métallique flexible lors d'un déplacement de la cuisinière.

Raccordement par un ensemble rigide :

On doit utiliser une combinaison de raccords pour réaliser un raccordement rigide entre la cuisinière et la canalisation de gaz. Le tuyau rigide doit se trouver au même niveau que le raccord de connexion de la cuisinière. On doit veiller à ne soumettre les sections de canalisation d'alimentation et de combustible à aucune traction ou flexion afin que la cuisinière soit d'aplomb et correctement alignée.



- **Robinet d'arrêt nécessaire :**
La canalisation d'alimentation doit comporter un robinet d'arrêt manuel. Ce robinet doit être séparé de l'ouverture de la cuisinière, mais il doit se trouver dans la même pièce, par exemple dans un placard adjacent. La canalisation doit se trouver en un endroit facilement accessible pour les manœuvres d'ouverture/fermeture. Ne pas entraver l'accès au robinet d'arrêt manuel. Le robinet permet d'ouvrir ou de fermer l'alimentation en gaz de la cuisinière.



A. Canalisation d'alimentation en gaz
B. Robinet d'arrêt manuel en position d'ouverture
C. Vers la cuisinière

Détendeur

Le détendeur fourni avec cette cuisinière doit être utilisé. La pression d'alimentation du détendeur doit être comme suit pour un fonctionnement correct :

Gaz naturel :

Pression minimale : 5" (colonne d'eau)

Pression maximale : 14" (colonne d'eau)

Gaz propane :

Pression minimale : 11" (colonne d'eau)

Pression maximale : 14" (colonne d'eau)

En cas d'incertitude quant à la pression d'alimentation à établir, contacter le fournisseur de gaz local.

Caractéristiques d'alimentation du brûleur

Les débits thermiques indiqués sur la plaque signalétique correspondent à une altitude d'utilisation inférieure à 2000 pi (609,6 m).

Lorsque l'appareil est utilisé à une altitude supérieure à 2000 pi (609,6 m), on doit réduire le débit thermique indiqué de 4 % pour chaque tranche de 1000 pi (304,8 m) au-dessus du niveau de la mer (non applicable au Canada).

Test de pressurisation de la canalisation de gaz

On doit tester le détendeur sous une pression supérieure d'au moins 1" (colonne d'eau) à la pression de la tubulure de distribution indiquée sur la plaque signalétique.

Pressurisation à une pression supérieure à ½ lb/po² (14" – colonne d'eau)

Pour tout test de pressurisation du système à une pression supérieure à ½ lb/po² (3,5 kPa), on doit déconnecter la cuisinière et son robinet d'arrêt des canalisations d'alimentation en gaz à pressuriser.

Pressurisation à une pression de ½ lb/po² (14" – colonne d'eau) ou moins

La cuisinière devra être isolée des canalisations d'alimentation en gaz par la fermeture du robinet d'arrêt manuel individuel durant tout test de pressurisation des canalisations d'alimentation en gaz à une pression égale ou inférieure à ½ lb/po² (3,5 kPa).

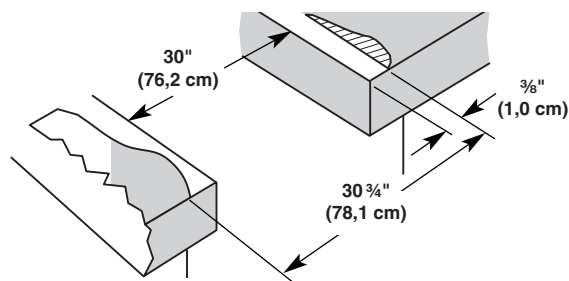
Préparation du plan de travail (pour cuisinières encastrables uniquement)

Les bords latéraux de la table de cuisson de la cuisinière encastrable seront placés en chevauchement sur les extrémités du plan de travail.

Si la largeur de l'espace disponible est de 30" (76,2 cm), et si la rive avant du plan de travail est plane et à l'équerre, aucune préparation du plan de travail ne sera nécessaire.

Si le bord avant du plan de travail a été réalisé par moulage, il sera nécessaire de réaliser une surface plane de ⅜" (1 cm) dans chaque angle avant de l'ouverture.

Il peut être nécessaire de tailler le carrelage du plan de travail sur ⅜" (1 cm) sur chaque angle à l'avant et/ou d'aplanir un bord arrondi.



Si la largeur de l'espace disponible pour le plan de travail est de plus de 30" (76,2 cm), ajuster la dimension de ⅜" (1 cm).

Il faut que le plan de travail soit horizontal. Placer un niveau sur le plan de travail; contrôler l'horizontalité transversalement, puis dans le sens avant/arrière. Si le plan de travail n'est pas horizontal, la cuisinière ne sera pas d'aplomb. Il faut que la cuisinière soit d'aplomb pour produire une performance de cuisson au four satisfaisante.

INSTRUCTIONS D'INSTALLATION

Déballage de la cuisinière

⚠ AVERTISSEMENT

Risque du poids excessif

Utiliser deux ou plus de personnes pour déplacer et installer la cuisinière.

Le non-respect de cette instruction peut causer une blessure au dos ou d'autre blessure.

1. Ôter les matériaux d'emballage, le ruban adhésif et la pellicule protectrice de la cuisinière. Garder la base de carton sous la cuisinière.
2. Retirer les grilles de four et le sachet de pièces de l'intérieur du four.

3. Pour retirer la base en carton, placer la cuisinière sur sa partie postérieure, prendre les 4 coins de protection du carton d'emballage. Empiler l'un des coins sur un autre. Répéter avec les 2 autres coins. Les disposer sur le plancher dans le sens de la longueur derrière la cuisinière à titre de support de la cuisinière lorsque celle-ci est placée sur sa partie postérieure.
4. À l'aide d'au moins deux personnes, saisir fermement la cuisinière et la déposer délicatement sur sa partie postérieure, sur les coins de protection.
5. Tirer fermement sur la partie inférieure du carton pour le retirer.
6. Utiliser une clé à molette pour desserrer les pieds de nivellement.
7. Placer un carton ou un panneau de fibres dur devant la cuisinière. À l'aide d'au moins 2 personnes, relever la cuisinière et la replacer sur le carton ou le panneau de fibres dur.

Réglage des pieds de nivellement

1. Si un ajustement de la hauteur de la cuisinière est nécessaire, utiliser une clé ou une pince pour desserrer les 4 pieds de nivellement.

Ceci doit être effectué alors que la cuisinière repose sur sa partie postérieure ou qu'elle est supportée par 2 pieds après avoir été replacée en position verticale.

REMARQUE : Pour placer à nouveau la cuisinière en position verticale, placer un carton ou un panneau de fibres dur devant la cuisinière. En utilisant au moins 2 personnes, relever la cuisinière et la placer sur le carton ou le panneau de fibres dur.

AVERTISSEMENT



Risque de basculement

Un enfant ou une personne adulte peut faire basculer la cuisinière, ce qui peut causer un décès.

Fixer la bride antibasculement au plancher ou au mur, conformément aux instructions d'installation.

Faire glisser de nouveau la cuisinière de façon à ce que le pied arrière de la cuisinière se trouve dans la fente de la bride antibasculement.

Réengager la bride antibasculement si la cuisinière a été déplacée.

Ne pas faire fonctionner la cuisinière si la bride antibasculement n'est pas installée et engagée.

Le non-respect de ces instructions peut causer un décès ou des brûlures graves aux enfants et aux adultes.

2. Ajuster les pieds de nivellement à la hauteur nécessaire. Les pieds de nivellement peuvent être desserrés pour ajouter une hauteur maximale de 1" (2,5 cm). Une longueur minimum de $\frac{3}{16}$ " (5 mm) est nécessaire pour engager la bride antibasculement.

REMARQUE : Si un ajustement de la hauteur est effectué alors que la cuisinière est debout, incliner la cuisinière vers l'arrière pour ajuster les pieds avant, puis incliner la cuisinière vers l'avant pour ajuster les pieds arrière.

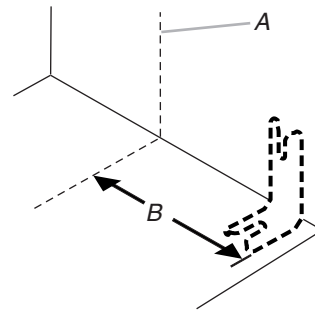
3. Lorsque la cuisinière est à la hauteur souhaitée, vérifier qu'il y a un espace suffisant sous la cuisinière pour loger la bride antibasculement. Avant de faire glisser la cuisinière à son emplacement final, vérifier qu'il sera possible de faire glisser la bride antibasculement sous la cuisinière et sur le pied de nivellement arrière avant l'installation de la bride antibasculement.

Installation de la bride antibasculement

1. Ôter la bride antibasculement fixée par du ruban adhésif au sachet de documentation.
2. Déterminer la méthode de montage à utiliser : au plancher ou au mur.

Pour un plancher en pierre ou en briquetage, on peut utiliser la méthode de montage au mur.

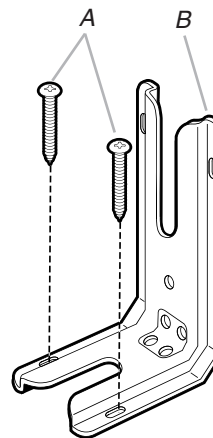
3. Déterminer et marquer l'axe central de l'espace à découper. On peut installer la bride de montage du côté gauche ou droit de l'ouverture découpée. Positionner la bride de montage dans la zone découpée de façon à ce que l'extrémité droite (ou gauche) de la bride se trouve à $14\frac{1}{4}$ " (36,2 cm) de l'axe central, tel qu'illustré.



A. Axe central
B. $14\frac{1}{4}$ " (36,2 cm)

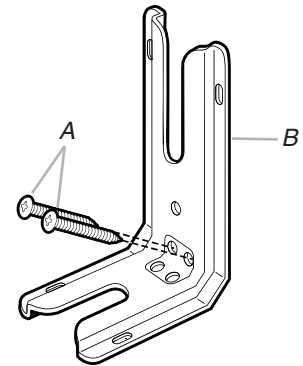
4. Percer deux trous de $\frac{1}{8}$ " (3 mm) qui correspondent aux trous de la bride selon la méthode de montage déterminée. Voir ci-dessous.

Montage au plancher



A. Vis n° 12 x $1\frac{5}{8}$ "
B. Bride antibasculement

Montage au mur



A. Vis n° 12 x $1\frac{5}{8}$ "
B. Bride antibasculement

5. À l'aide d'un tournevis Phillips, monter la bride antibasculement au mur ou au plancher avec les deux vis n°12 x $1\frac{5}{8}$ " fournies.

Raccordement au gaz

AVERTISSEMENT



Risque d'explosion

Utiliser une canalisation neuve d'arrivée de gaz approuvée par la CSA International.

Installer un robinet d'arrêt.

Bien serrer chaque organe de connexion de la canalisation de gaz.

En cas de connexion au gaz propane, demander à une personne qualifiée de s'assurer que la pression de gaz ne dépasse pas 36 cm (14 po) de la colonne d'eau.

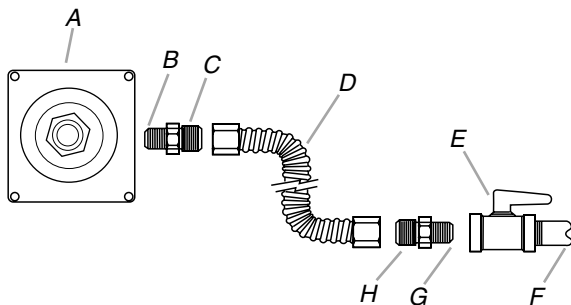
Par personne qualifiée, on comprend :

le personnel autorisé de chauffage,
le personnel autorisé d'une compagnie de gaz, et
le personnel d'entretien autorisé.

Le non-respect de ces instructions peut causer un décès, une explosion ou un incendie.

Raccordement typique par raccord flexible

1. Appliquer un composé d'étanchéité des filetages résistant au propane sur l'extrémité fileté la plus petite des adaptateurs de raccord flexible (voir B et G dans l'illustration suivante).
2. Fixer un adaptateur sur le détendeur et l'autre adaptateur sur le robinet d'arrêt de la canalisation de gaz. Serrer les deux adaptateurs.
3. Utiliser une clé mixte de $15/16$ " et une pince multiprise pour fixer le raccord flexible sur les adaptateurs. S'assurer que le raccord n'est pas déformé.



A. Détendeur

B. Utiliser un composé d'étanchéité pour tuyauteries.

C. Adaptateur (doit comporter un filetage mâle de $1/2$ ")

D. Raccord flexible

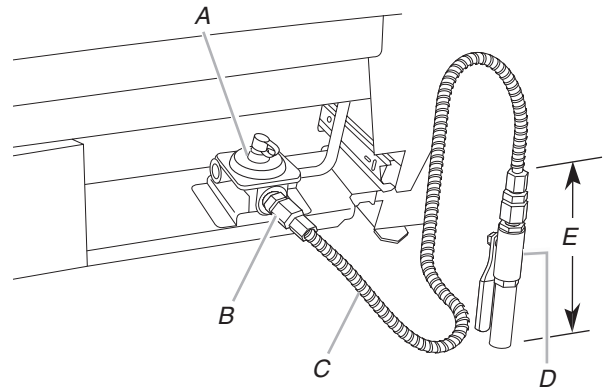
E. Robinet d'arrêt manuel

F. Tuyau de gaz de $1/2$ " ou $3/4$ "

G. Utiliser un composé d'étanchéité pour tuyauteries.

H. Adaptateur

4. La canalisation d'alimentation en gaz ne doit pas se trouver à plus de 10" (25,4 cm) au-dessus du plancher.



A. Détendeur

B. Raccord d'adaptation

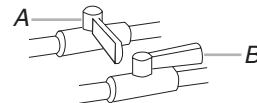
C. Raccord flexible

D. Robinet d'arrêt manuel

E. Canalisation droite de 10" (25,4 cm) maximum.

Achever le raccordement

1. Ouvrir le robinet d'arrêt manuel sur la canalisation de gaz. Le robinet est ouvert lorsque la poignée est parallèle au conduit d'alimentation en gaz.



A. Robinet fermé

B. Robinet ouvert

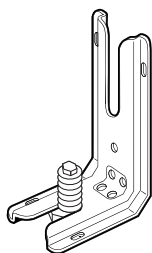
2. Vérifier tous les raccords en les badigeonnant d'une solution de détection des fuites non corrosive approuvée. L'apparition de bulles indique une fuite. Réparer toute fuite éventuelle.
3. Ôter les chapeaux et grilles de brûleur de la table de cuisson du sachet de pièces. Aligner les encoches des chapeaux de brûleur avec les broches dans la base de chaque brûleur. Un chapeau de brûleur correctement placé doit être horizontal. Si le chapeau de brûleur n'est pas correctement placé, le brûleur de surface ne peut s'allumer. Placer les grilles de brûleur sur les brûleurs et chapeaux.
4. Brancher l'appareil dans une prise adéquate. Voir la section "Spécifications électriques".
5. Mettre l'appareil sous tension.

Vérifier que la bride antibasculement est bien installée et engagée

Sur les modèles avec tiroir de remisage :

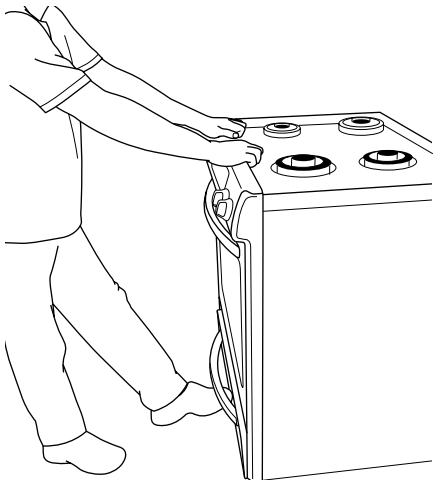
1. Retirer le tiroir de remisage.
2. Au moyen d'une torche électrique, inspecter le dessous de la cuisinière.

3. Inspecter la cuisinière pour vérifier que le pied arrière de la cuisinière se trouve dans la fente de la bride antibasculement.



Sur les modèles avec tiroir-réchaud :

1. Placer l'extérieur du pied contre la partie inférieure avant du tiroir-réchaud et saisir le tableau de commande à deux mains tel qu'indiqué.



2. Tenter d'incliner la cuisinière vers l'avant avec précaution. Si vous rencontrez une résistance immédiate, cela signifie que le pied de la cuisinière est engagé dans la bride antibasculement.
3. Si l'arrière de la cuisinière se soulève de plus de 1/2" (1,3 cm) du plancher sans opposer de résistance, cesser d'incliner la cuisinière et la reposer doucement sur le plancher. Le pied de la cuisinière n'est pas engagé dans la bride antibasculement.

IMPORTANT : Si l'on entend un claquement ou un bruit d'éclatement lorsqu'on soulève la cuisinière, cela signifie peut-être que la cuisinière n'est pas bien engagée dans la bride. Vérifier qu'aucune obstruction n'empêche la cuisinière de glisser vers le mur ou le pied de la cuisinière de glisser dans la bride. Vérifier que la bride est fermement maintenue en place par les vis de montage.

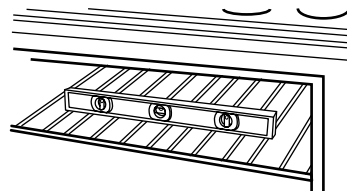
4. Glisser la cuisinière vers l'avant et vérifier que la bride antibasculement est bien fixée au plancher ou au mur.
5. Faire glisser de nouveau la cuisinière de façon à ce que le pied arrière de la cuisinière se trouve dans la fente de la bride antibasculement.

IMPORTANT : Si l'arrière de la cuisinière se trouve à plus de 2" (5,1 cm) du mur de montage, cela signifie que la bride n'est peut-être pas engagée dans le pied arrière de la cuisinière. Glisser la cuisinière vers l'avant et déterminer si un objet fait obstruction entre la cuisinière et la paroi de montage. Pour assistance ou dépannage, consulter la section "Assistance ou Service" du guide d'utilisation et d'entretien, la couverture ou la section "Garantie" des instructions d'utilisation pour obtenir les coordonnées des personnes à contacter.

6. Répéter les étapes 1 et 2 pour s'assurer que le pied de la cuisinière est bien engagé dans la bride antibasculement. Si l'arrière de la cuisinière se soulève de plus de 1/2" (1,3 cm) du plancher sans opposer de résistance, cela peut signifier que la bride antibasculement n'est pas correctement installée. Ne pas faire fonctionner la cuisinière si la bride antibasculement n'est pas installée et engagée. Consulter la section "Assistance ou Service" du guide d'utilisation et d'entretien, la couverture ou la section "Garantie" des instructions d'utilisation pour contacter un dépanneur.

Réglage de l'aplomb de la cuisinière

1. Placer la grille dans le four.
2. Placer un niveau sur la grille et contrôler l'aplomb de la cuisinière, d'abord transversalement, puis d'avant en arrière.



3. Si la cuisinière n'est pas d'aplomb, la tirer vers l'avant de façon à ce que le pied de nivellement arrière se dégage de la bride antibasculement.
4. Utiliser une clé pour régler les pieds de nivellement vers le haut ou vers le bas jusqu'à ce que la cuisinière soit d'aplomb. Pousser pour la remettre en place.
5. Vérifier que le pied de nivellement arrière est engagé dans la bride antibasculement.

REMARQUE : Il faut que l'appareil soit d'aplomb pour produire une performance satisfaisante.

Système d'allumage électronique

Allumage initial et réglages des flammes de gaz

Un système d'allumage électronique est utilisé à la place des flammes de veille usuelles pour l'allumage des brûleurs (table de cuisson et four). Lorsqu'on place le bouton de commande de la table de cuisson à la position "LITE" (allumage), le système génère une étincelle pour l'allumage du brûleur. La génération d'étincelles se poursuit aussi longtemps que le bouton de commande est laissé à la position "LITE". Lorsqu'on tourne le bouton de commande du four au réglage souhaité, un dispositif d'allumage à barre incandescente chauffe et provoque l'inflammation du gaz.

Contrôle du fonctionnement des brûleurs de la table de cuisson

Brûleurs standard de la table de cuisson

Enfoncer et tourner chaque bouton de commande à la position "LITE".

Les flammes doivent s'allumer sur le brûleur en moins de 4 secondes. Lors de l'allumage initial du brûleur, le délai d'allumage peut être supérieur à 4 secondes du fait de la présence d'air dans la canalisation de gaz.

Si les brûleurs ne s'allument pas correctement :

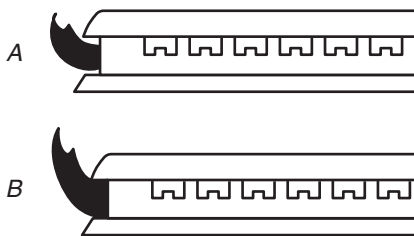
- Tourner le bouton de commande de la table de cuisson à la position "OFF" (arrêt).
- Vérifier que la cuisinière est branchée et correctement alimentée (fusible grillé? disjoncteur ouvert?)
- Vérifier que chaque robinet d'arrêt de gaz est à la position "open" (ouverture).

- Vérifier que les chapeaux de brûleurs sont correctement placés sur la base des brûleurs.

Répéter le processus de mise en marche. Si à ce stade, un brûleur ne s'allume pas, tourner les boutons de commande à la position d'arrêt et contacter le revendeur ou un dépanneur agréé.

Réglage de la taille des flammes

Régler la taille des flammes pour le brûleur supérieur. Pour le réglage au débit thermique minimum, on doit observer des flammes stables bleues d'environ 1/4" (0,64 cm).



A. Débit thermique minimum
B. Débit thermique maximum

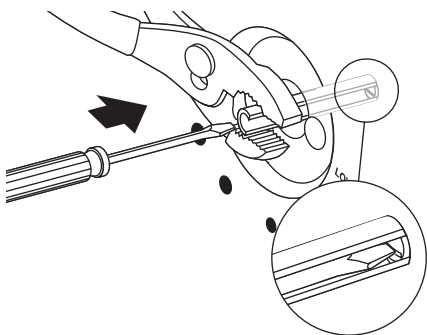
Réglage des brûleurs standard :

La vis de réglage au centre de la tige de commande du robinet permet de régler la taille des flammes. La tige de commande est située directement au-dessous du bouton de commande.

S'il est nécessaire de régler la taille des flammes pour le débit thermique minimum :

1. Allumer 1 brûleur et le tourner au réglage le plus bas.
2. Ôter le bouton de commande.

Immobiliser la tige de commande en position de débit thermique minimal avec une pince. Utiliser un tournevis à lame plate de 1/8" (3 mm) pour faire tourner la vis située au centre de la tige de commande jusqu'à ce que la flamme atteigne la taille désirée.

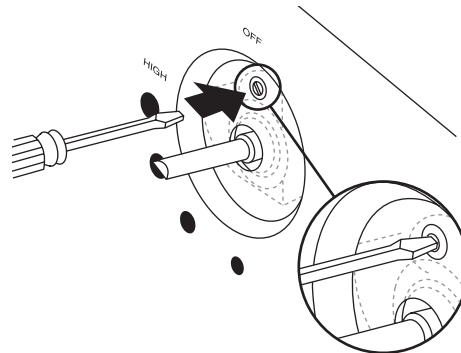


3. Réinstaller le bouton de commande.
4. Tester le fonctionnement du brûleur : faire passer le bouton de commande de la position "LO" (basse) à la position "HI" (élevée) et observer les flammes pour chaque réglage.
5. Répéter les étapes ci-dessus pour chaque brûleur.

Pour ajuster le brûleur à double flamme :

1. Allumer le brûleur et le tourner au réglage le plus bas auquel les brûleurs interne et externe puissent rester allumés.
2. Ôter le bouton de commande.

Insérer un tournevis à lame plate de 1/8" (3 mm) dans les emplacements de réglage indiqués dans l'illustration suivante et engager la vis à fentes. Tourner la vis jusqu'à ce que la flamme atteigne la taille correcte.



3. Réinstaller le bouton de commande.
4. Tester le fonctionnement du brûleur : faire passer le bouton de commande de la position "LO" (basse) à la position "HI" (élevée) et observer les flammes pour chaque réglage.

Achever l'installation

1. Vérifier que toutes les pièces sont maintenant installées. S'il reste une pièce, passer en revue les différentes étapes pour découvrir laquelle aurait été oubliée.
2. Vérifier la présence de tous les outils.
3. Jeter/recycler tous les matériaux d'emballage.
4. Vérifier que la cuisinière est d'aplomb. Voir "Réglage de l'aplomb de la cuisinière".
5. Utiliser une solution d'eau tiède et de nettoyant ménager doux pour éliminer tout résidu de cire laissé par les matériaux de l'emballage. Sécher parfaitement avec un linge doux. Pour plus d'informations, consulter la section "Entretien de la cuisinière" dans le Guide d'utilisation et d'entretien.
6. Lire la section "Utilisation de la cuisinière" dans le Guide d'utilisation et d'entretien.
7. Mettre en marche les brûleurs de surface et le four. Pour des instructions spécifiques concernant l'utilisation de la cuisinière, consulter le Guide d'utilisation et d'entretien.

Si la cuisinière ne fonctionne pas, contrôler ce qui suit :

- Les fusibles du domicile sont intacts et serrés; le disjoncteur n'est pas déclenché.
- La cuisinière est branchée sur une prise électrique.
- La prise de courant est correctement alimentée.
- Consulter la section "Dépannage" dans le Guide d'utilisation et d'entretien.
- 8. Après 5 minutes de fonctionnement de la cuisinière, vérifier la chaleur. Si aucune émanation de chaleur n'est perceptible, éteindre la cuisinière et vérifier que le robinet d'arrêt de la canalisation de gaz est ouvert.
 - Si le robinet d'arrêt de la canalisation de gaz est fermé, l'ouvrir, puis répéter le test de 5 minutes décrit ci-dessus.
 - Si le robinet d'arrêt de la canalisation de gaz est ouvert, le fermer et contacter un technicien qualifié.

Si vous avez besoin d'assistance ou de service :

Consulter la section "Assistance ou service" du Guide d'utilisation et d'entretien ou contacter le marchand chez qui vous avez acheté votre cuisinière.

CONVERSIONS POUR CHANGEMENT DE GAZ

Les conversions pour changement de gaz naturel à propane ou de propane à gaz naturel doivent être effectuées par un installateur qualifié.

⚠ AVERTISSEMENT



Risque d'explosion

Utiliser une canalisation neuve d'arrivée de gaz approuvée par la CSA International.

Installer un robinet d'arrêt.

Bien serrer chaque organe de connexion de la canalisation de gaz.

En cas de connexion au gaz propane, demander à une personne qualifiée de s'assurer que la pression de gaz ne dépasse pas 36 cm (14 po) de la colonne d'eau.

Par personne qualifiée, on comprend :

le personnel autorisé de chauffage,
le personnel autorisé d'une compagnie de gaz, et
le personnel d'entretien autorisé.

Le non-respect de ces instructions peut causer un décès, une explosion ou un incendie.

Conversion pour l'alimentation au propane

⚠ AVERTISSEMENT



Risque de basculement

Un enfant ou une personne adulte peut faire basculer la cuisinière, ce qui peut causer un décès.

Fixer la bride antibasculement au plancher ou au mur, conformément aux instructions d'installation.

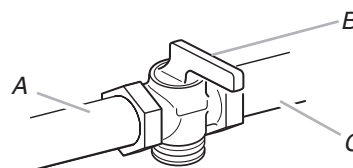
Faire glisser de nouveau la cuisinière de façon à ce que le pied arrière de la cuisinière se trouve dans la fente de la bride antibasculement.

Réengager la bride antibasculement si la cuisinière a été déplacée.

Ne pas faire fonctionner la cuisinière si la bride antibasculement n'est pas installée et engagée.

Le non-respect de ces instructions peut causer un décès ou des brûlures graves aux enfants et aux adultes.

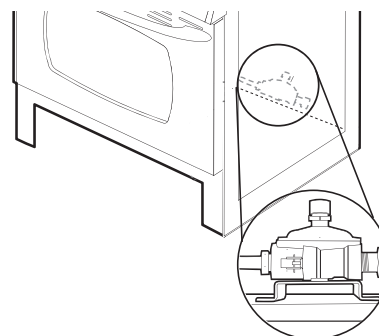
1. Fermer le robinet d'arrêt manuel.
2. Débrancher la cuisinière ou déconnecter la source de courant électrique.



- A. Vers la cuisinière
B. Robinet d'arrêt (position de fermeture)
C. Canalisation d'alimentation en gaz

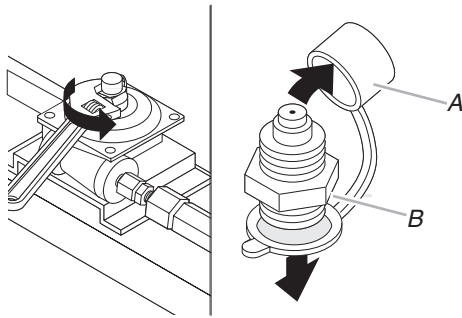
Conversion du détendeur

1. Localiser le détendeur situé à l'arrière de la cuisinière.



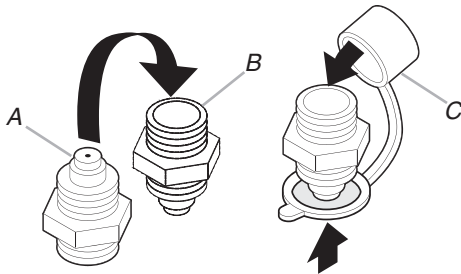
IMPORTANT : Ne pas enlever le détendeur.

- Dévisser le chapeau du détendeur et retirer le capuchon en plastique.



A. Capuchon en plastique
B. Chapeau du détendeur

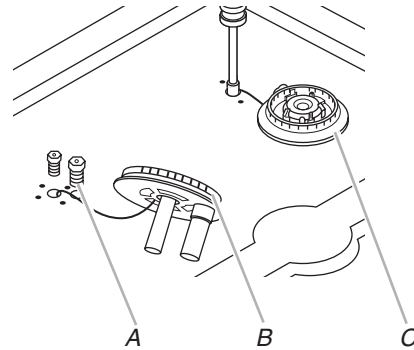
- Retourner le chapeau du détendeur à l'envers et remettre le capuchon en plastique en place.



A. Position pour gaz naturel
B. Position pour gaz propane
C. Capuchon en plastique

- Remettre le chapeau du détendeur en place en le vissant solidement. Ne pas serrer excessivement.

- Appliquer du ruban adhésif de masquage à l'extrémité d'un tourne-écrou de $\frac{3}{32}$ " (7 mm) pour retenir le gicleur du brûleur pour gaz naturel dans le tourne-écrou durant l'extraction. Positionner le tourne-écrou sur le gicleur du gaz naturel; tourner dans le sens antihoraire pour dévisser, et extraire le gicleur. Conserver à part le gicleur du brûleur pour gaz naturel.



A. Gicleur de gaz – gaz naturel
B. Brûleur à double flamme
C. Brûleur simple

Utiliser le tableau suivant pour déterminer le gicleur pour gaz propane approprié pour chaque brûleur. Consulter la plaque d'informations sur le type de gaz située du côté inférieur gauche du châssis avant pour connaître le calibre correct des gicleurs pour gaz propane pour chaque emplacement de brûleur.

Tableau de sélection de gicleurs pour gaz propane pour les modèles JDS8850 and JDS8860

Emplacement	Puissance thermique	Couleur	Numéro
Avant droit	14 000 BTU	Rouge	114 L
Arrière droit	4 000 BTU	Bleu	64 L
Avant gauche	13 000 BTU	Centre : Blanc Périphérique : Orange	Centre : 55 L Périphérique : 97 L
Arrière gauche	9 100 BTU	Transparent	91 L

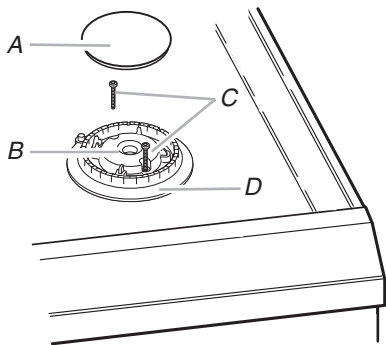
- Remplacer le gicleur pour gaz naturel par le gicleur pour propane correct. Voir le "Tableau de sélection des gicleurs pour gaz propane". Sur les brûleurs à double flamme (sur certains modèles), remplacer les gicleurs centraux et périphériques.
- Réinstaller la base de brûleur et serrer les vis.
- Réinstaller le chapeau de brûleur.
- Répéter les étapes 1 à 7 pour les autres brûleurs.
- Placer les gicleurs pour gaz naturel dans le sachet de pièces en plastique et les conserver avec le sachet de documentation, pour pouvoir les réutiliser ultérieurement.
- Réinstaller les grilles des brûleurs.
- Achever l'installation. Voir les sections "Raccordement au gaz" et "Système d'allumage électronique".

Il est très important de vérifier l'établissement de flammes correctes sur les brûleurs de la table de cuisson. Le petit cône interne doit comporter une flamme bleue très distincte de $\frac{1}{4}$ " à $\frac{1}{2}$ " de longueur. Le cône externe n'est pas aussi distinct que le cône interne. Les flammes d'un brûleur alimenté au propane comportent une pointe légèrement jaune.

IMPORTANT : Il peut être nécessaire de modifier le réglage des flammes à la position du débit thermique minimum "LO" pour chaque brûleur de la table de cuisson.

Conversion des brûleurs de surface

- Enlever les grilles de brûleur si elles sont installées.
- Ôter les chapeaux de brûleurs.
- Utiliser un tournevis Phillips pour enlever la base du brûleur.



A. Chapeau de brûleur
B. Ouverture du tube d'arrivée de gaz
C. Vis de la base du brûleur
D. Base du brûleur

Conversion pour l'alimentation au gaz naturel

AVERTISSEMENT



Risque de basculement

Un enfant ou une personne adulte peut faire basculer la cuisinière, ce qui peut causer un décès.

Fixer la bride antibasculement au plancher ou au mur, conformément aux instructions d'installation.

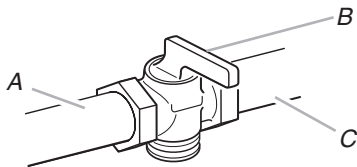
Faire glisser de nouveau la cuisinière de façon à ce que le pied arrière de la cuisinière se trouve dans la fente de la bride antibasculement.

Réengager la bride antibasculement si la cuisinière a été déplacée.

Ne pas faire fonctionner la cuisinière si la bride antibasculement n'est pas installée et engagée.

Le non-respect de ces instructions peut causer un décès ou des brûlures graves aux enfants et aux adultes.

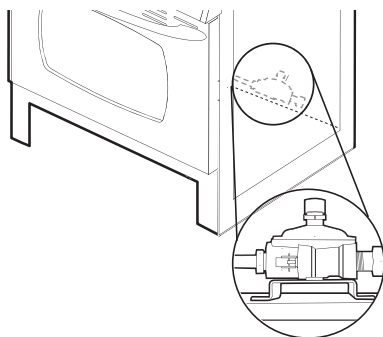
1. Fermer le robinet d'arrêt manuel.
2. Débrancher la cuisinière ou déconnecter la source de courant électrique.



- A. Vers la cuisinière
- B. Robinet d'arrêt (position de fermeture)
- C. Canalisation d'alimentation en gaz

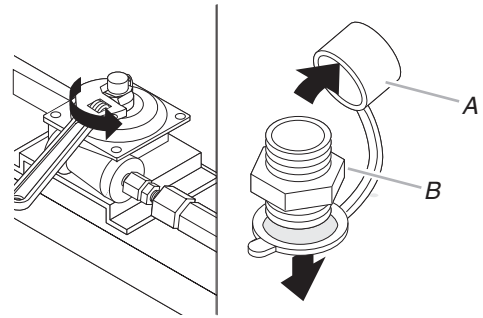
Conversion du détendeur

3. Localiser le détendeur situé à l'arrière de la cuisinière.



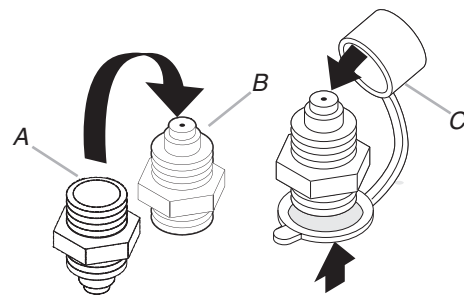
IMPORTANT : Ne pas enlever le détendeur.

4. Dévisser le chapeau du détendeur et retirer le capuchon en plastique.



- A. Capuchon en plastique
- B. Chapeau du détendeur

5. Retourner le chapeau du détendeur à l'envers et remettre le capuchon en plastique en place.

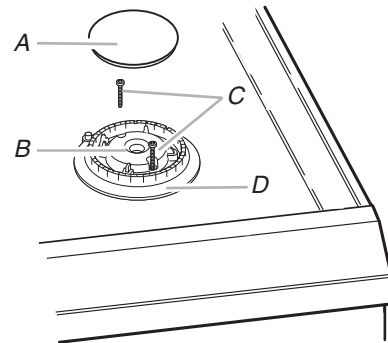


- A. Position pour gaz propane
- B. Position pour gaz naturel
- C. Capuchon en plastique

6. Remettre le chapeau du détendeur en place en le vissant solidement. Ne pas serrer excessivement.

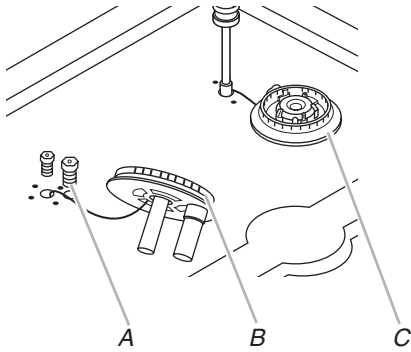
Conversion des brûleurs de surface

1. Enlever les grilles de brûleur si elles sont installées.
2. Ôter les chapeaux de brûleurs.
3. Sur les modèles avec brûleur à double flamme, retirer le réducteur pour gaz propane du brûleur à double flamme.
4. Utiliser un tournevis Phillips pour enlever la base du brûleur.



- A. Chapeau de brûleur
- B. Ouverture du tube d'arrivée de gaz
- C. Vis de la base du brûleur
- D. Base du brûleur

- Appliquer du ruban adhésif de masquage à l'extrémité d'un tourne-écrou de $\frac{9}{32}$ " (7 mm) pour retenir le gicleur du brûleur pour gaz propane dans le tourne-écrou durant l'extraction. Placer le tourne-écrou sur le gicleur pour gaz propane; faire tourner dans le sens antihoraire et soulever pour enlever le gicleur. Conserver le gicleur pour propane.



A. Gicleur de gaz – gaz naturel
 B. Brûleur à double flamme
 C. Brûleur simple

Utiliser le tableau suivant pour déterminer le gicleur pour gaz naturel approprié pour chaque brûleur. Consulter la plaque d'informations sur le type de gaz située du côté inférieur gauche du châssis avant pour connaître le calibre correct des gicleurs pour gaz naturel pour chaque emplacement de brûleur.

Tableau de sélection de gicleurs pour gaz naturel pour le modèles JDS8850 and JDS8860

Emplacement	Puissance thermique	Couleur	Numéro
Avant droit	16 000 BTU	Transparent	190N
Arrière droit	5 000 BTU	Vert	107N
Avant gauche	15 000 BTU	Centre : Transparent Périphérique : Transparent	Centre : 80N Périphérique : 165N
Arrière gauche	9 200 BTU	Transparent	142N

- Remplacer le gicleur pour propane par le gicleur correct pour gaz naturel. Voir le "Tableau de sélection des gicleurs pour gaz naturel".
- Réinstaller la base de brûleur et serrer les vis.
- Réinstaller le chapeau de brûleur.
- Répéter les étapes 1 à 7 pour les autres brûleurs.
- Placer les gicleurs pour gaz propane (et le réducteur pour gaz propane sur les modèles avec brûleur à double flamme) dans le sachet de pièces et conserver le tout avec le sachet de documentation.
- Réinstaller les grilles des brûleurs.
- Achever l'installation. Voir les sections "Raccordement au gaz" et "Système d'allumage électronique".

Il est très important de vérifier l'établissement de flammes correctes sur les brûleurs de la table de cuisson. Le petit cône interne doit comporter une flamme bleue très distincte de $\frac{1}{4}$ " à $\frac{1}{2}$ " de longueur. Le cône externe n'est pas aussi distinct que le cône interne. Les flammes d'un brûleur alimenté au gaz naturel ne comportent pas de pointe jaune.

IMPORTANT : Il peut être nécessaire de modifier le réglage des flammes à la position du débit thermique minimum "LO" pour chaque brûleur de la table de cuisson.

W10430953A

© 2012.
All rights reserved.
Tous droits réservés.

2/12
Printed in U.S.A.
Imprimé aux É.-U.