

JENN-AIR® 20" (50.8 CM), 30" (76.2 CM) AND 45" (114.3 CM) ELECTRIC DOWNDRAFT COOKTOP

PRODUCT MODEL NUMBERS

CVEX4100 CVEX4270 CVEX4370

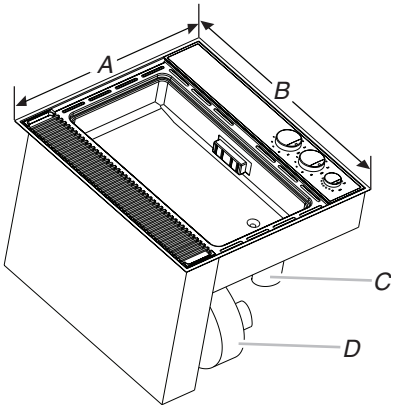
ELECTRICAL REQUIREMENTS:

Before You Make the Electrical Connection:

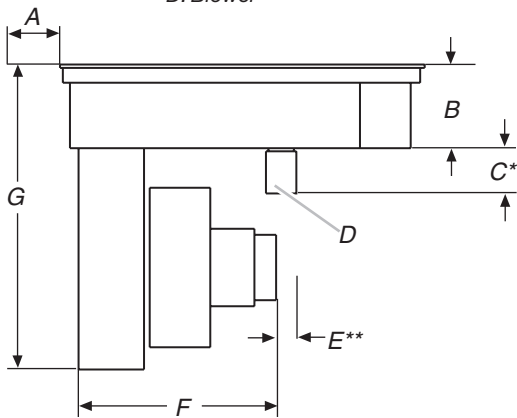
- A 4-wire or 3-wire, single phase, 120/240 volt, 60 Hz., AC only electrical supply is required on a separate, 40-amp circuit (30" [76.2 cm] models), 20-amp circuit (20" [50.8 cm] models) or 60-amp circuit (45" [114.3 cm] models), fused on both sides of the line.

PRODUCT DIMENSIONS

20" (50.8 cm) Single Cartridge Cooktop



- A. 19¼" (48.9 cm)
- B. 21⅞" (53.6 cm)
- C. Grease container
- D. Blower



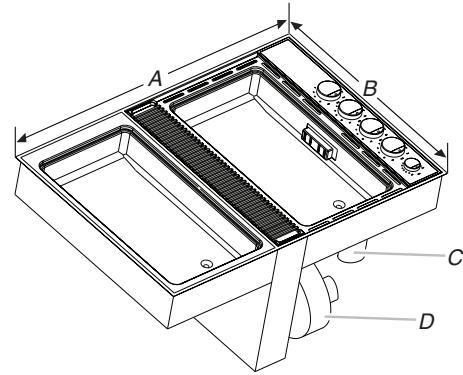
- A. Side clearance - See *NOTE.
- B. 4¾" (12.0 cm)
- C. 6¼" (15.9 cm)
- D. Grease container
- E. 2" (5.0 cm) min. to cabinet,
6" (15.2 cm) recommended to motor service
- F. 12½" (31.8 cm)
- G. 17½" (44.5 cm)

***NOTE:** Grills installed near a side wall must allow a minimum clearance of 6" (15.2 cm) between cooktop and sidewall for maximum performance. Minimum clearance of 1" (2.5 cm) is required to sidewalls and ¾" (1.9 cm) to rear wall.

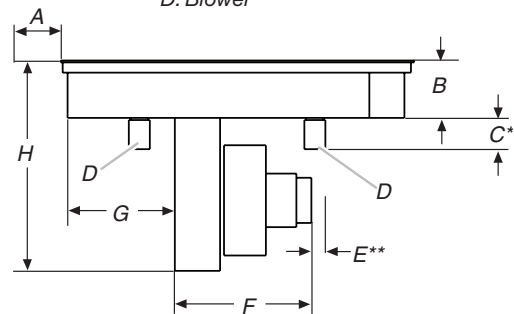
*A minimum clearance of 6¼" (15.9 cm) is recommended for removal of the grease filter(s). Installed dimension for the grease filter(s) is 5½" (14.0 cm).

**A minimum clearance of 2" (5.1 cm) is required between the blower motor and cabinet for proper cooling. A clearance of 6" (15.2 cm) is recommended to allow for blower motor service.

30" (76.2 cm) Double Cartridge Cooktop



- A. 30¹⁵/₁₆" (78.6 cm)
- B. 21⅞" (53.6 cm)
- C. Grease container
- D. Blower



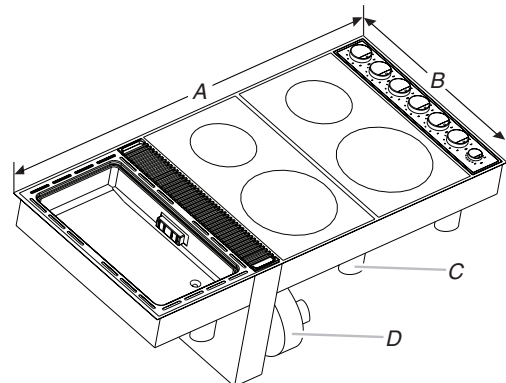
- A. Side clearance - See *NOTE.
- B. 4¾" (12.0 cm)
- C. 6¼" (15.9 cm)
- D. Grease containers
- E. 2" (5.0 cm) min. to cabinet,
6" (15.2 cm) recommended to motor service
- F. 12½" (31.8 cm)
- G. 11¹¹/₁₆" (29.1 cm)
- H. 17½" (44.5 cm)

***NOTE:** Grills installed near a side wall must allow a minimum clearance of 6" (15.2 cm) between cooktop and sidewall for maximum performance. Minimum clearance of 1" (2.5 cm) is required to sidewalls and ¾" (1.9 cm) to rear wall.

*A minimum clearance of 6¼" (15.9 cm) is recommended for removal of the grease filter(s). Installed dimension for the grease filter(s) is 5½" (14.0 cm).

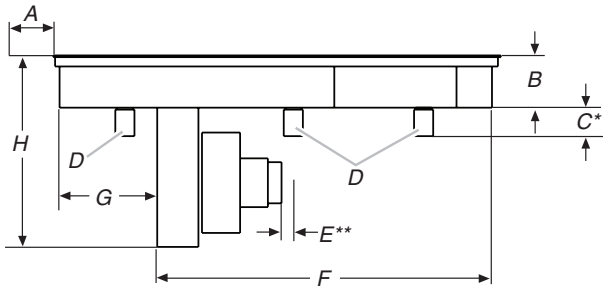
**A minimum clearance of 2" (5.1 cm) is required between the blower motor and cabinet for proper cooling. A clearance of 6" (15.2 cm) is recommended to allow for blower motor service.

45" (114.3 cm) Triple Cartridge Cooktop



- A. 46¼" (117.5 cm)
- B. 21⅞" (53.6 cm)
- C. Grease container
- D. Blower

PRODUCT DIMENSIONS (cont.)



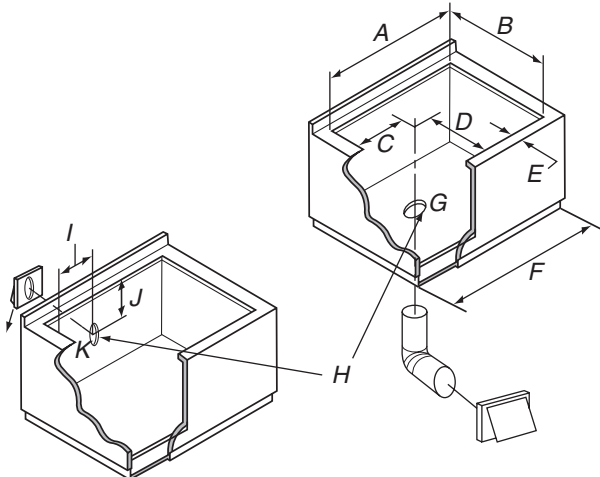
- A. Side clearance - See *NOTE.
 B. 4 $\frac{3}{4}$ " (12.0 cm)
 C. 6 $\frac{1}{4}$ " (15.9 cm)
 D. Grease containers
 E. 2" (5.0 cm) min. to cabinet,
 6" (15.2 cm) recommended to motor service
 F. 30 $\frac{1}{8}$ " (76.5 cm)
 G. 11 $\frac{1}{16}$ " (29.1 cm)
 H. 17 $\frac{1}{2}$ " (44.5 cm)

*NOTE: Grills installed near a side wall must allow a minimum clearance of 6" (15.2 cm) between cooktop and sidewall for maximum performance. Minimum clearance of 1" (2.5 cm) is required to sidewalls and $\frac{3}{4}$ " (1.9 cm) to rear wall.

*A minimum clearance of 6 $\frac{1}{4}$ " (15.9 cm) is recommended for removal of the grease containers. Installed dimension for the grease containers is 5 $\frac{1}{2}$ " (14.0 cm).

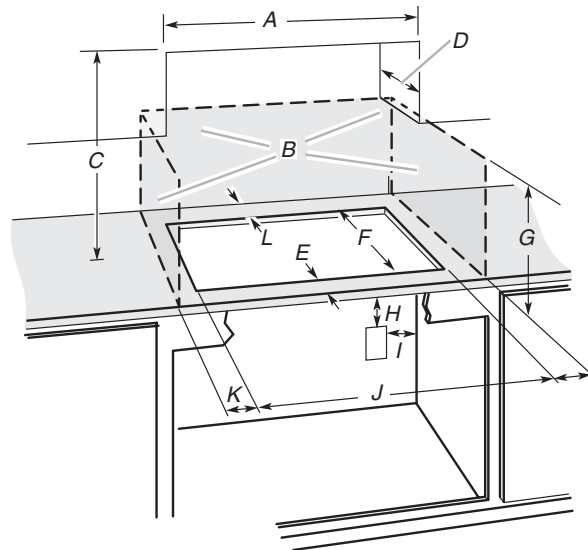
**A minimum clearance of 2" (5.1 cm) is required between the blower motor and cabinet for proper cooling. A clearance of 6" (15.2 cm) is recommended to allow for blower motor service.

CUTOUT DIMENSIONS



- A. 18 $\frac{1}{16}$ " \pm $\frac{1}{16}$ " (47.5 cm \pm 0.2 cm) on 20" (50.8 cm) single cartridge models
 30 $\frac{7}{16}$ " \pm $\frac{1}{16}$ " (77.3 cm \pm 0.2 cm) on 30" (76.2 cm) double cartridge models
 41 $\frac{3}{32}$ " \pm $\frac{1}{16}$ " (106.6 cm \pm 0.2 cm) on 45" (114.3 cm) triple cartridge models
 B. 20 $\frac{9}{16}$ " \pm $\frac{1}{16}$ " (52.2 cm \pm 0.2 cm) maximum on all models
 C. 6 $\frac{5}{16}$ " (16.0 cm) on 20" (50.8 cm) single cartridge models
 17 $\frac{3}{4}$ " (45.1 cm) on 30" (76.2 cm) double cartridge models
 17 $\frac{3}{4}$ " (45.1 cm) on 45" (114.3 cm) triple cartridge models
 D. 14 $\frac{7}{16}$ " (36.7 cm) on all models
 E. 2 $\frac{1}{8}$ " (5.4 cm) minimum space to front edge of cooktop
 F. Minimum cabinet width:
 21" (53.3 cm) on 20" (50.8 cm) single cartridge models
 33" (83.8 cm) on 30" (76.2 cm) double cartridge models
 45" (114.3 cm) on 45" (114.3 cm) triple cartridge models
 G. Floor exhaust option
 H. 6 $\frac{1}{8}$ " (15.6 cm) for 6" vent system
 I. 6 $\frac{5}{16}$ " (16.0 cm) on 20" (50.8 cm) single cartridge models
 17 $\frac{3}{4}$ " (45.1 cm) on 30" (76.2 cm) double cartridge models
 17 $\frac{3}{4}$ " (45.1 cm) on 45" (114.3 cm) triple cartridge models
 J. 8" (20.3 cm) from center of the vent hole in the cabinet to the top surface of the countertop, on all models
 K. Wall exhaust option

CABINET DIMENSIONS



- A. 24" (61.0 cm) on 20" (50.8 cm) single cartridge models
 30" (76.2 cm) on 30" (76.2 cm) double cartridge models
 45" (114.3 cm) on 45" (114.3 cm) triple cartridge models
 B. Combustible area above countertop (shown by dashed box above)
 C. 30" (76.2 cm) minimum clearance between top of cooktop platform and bottom of uncovered wood or metal cabinet (24" [61 cm] minimum clearance if bottom of wood or metal cabinet is covered by not less than $\frac{1}{4}$ " [0.6 cm] flame retardant millboard covered with not less than No. 28 MSG sheet steel, 0.015" [0.04 cm] stainless steel, or 0.024" [0.06 cm] aluminum or 0.020" [0.05 cm] copper)
 D. 13" (33 cm) recommended upper cabinet depth
 E. 2 $\frac{1}{8}$ " (5.4 cm) min.
 F. 20 $\frac{9}{16}$ " (58.2 cm)
 G. 18" (45.7 cm) minimum clearance from upper cabinet to countertop within minimum horizontal clearances to cooktop
 H. Junction box or outlet; 12" (30.5 cm) minimum from bottom of countertop
 I. Junction box or outlet; 10" (25.4 cm) from right-hand side of cabinet
 J. 18 $\frac{1}{16}$ " (47.5 cm) on 20" (50.8 cm) single cartridge models
 30 $\frac{7}{16}$ " (77.3 cm) on 30" (76.2 cm) double cartridge models
 41 $\frac{3}{32}$ " (106.6 cm) on 45" (114.3 cm) triple cartridge models
 K. Side clearance - See *NOTE.
 L. 2" (5.1 cm) minimum clearance between back wall and countertop cutout

*NOTE: Grills installed near a side wall must allow a minimum clearance of 6" (15.2 cm) between cooktop and sidewall for maximum performance. Minimum clearance of 1" (2.5 cm) is required to sidewalls and $\frac{3}{4}$ " (1.9 cm) to rear wall.

NOTES: After making the countertop cutout, some installations may require notching down the base cabinet side walls to clear the cooktop base. To avoid this modification, use a base cabinet with sidewalls wider than the cutout.

- Where possible, a 6" (15.2 cm) clearance is recommended for motor blower service. A minimum clearance of 1" (2.5 cm) is recommended to the sidewalls and a $\frac{3}{4}$ " (1.9 cm) clearance is recommended to the rear wall.
- A minimum clearance of 2" (5.1 cm) is recommended between the motor/blower and cabinet for proper cooling.
- A minimum clearance of 6 $\frac{1}{4}$ " (15.9 cm) is recommended for removal of the grease container(s). Installed dimension for the grease containers is 5 $\frac{1}{2}$ " (14.0 cm).
- For grills installed near a sidewall, a minimum clearance of 6" (15.2 cm) is recommended between the cooktop and sidewall for maximum performance.